

LH2

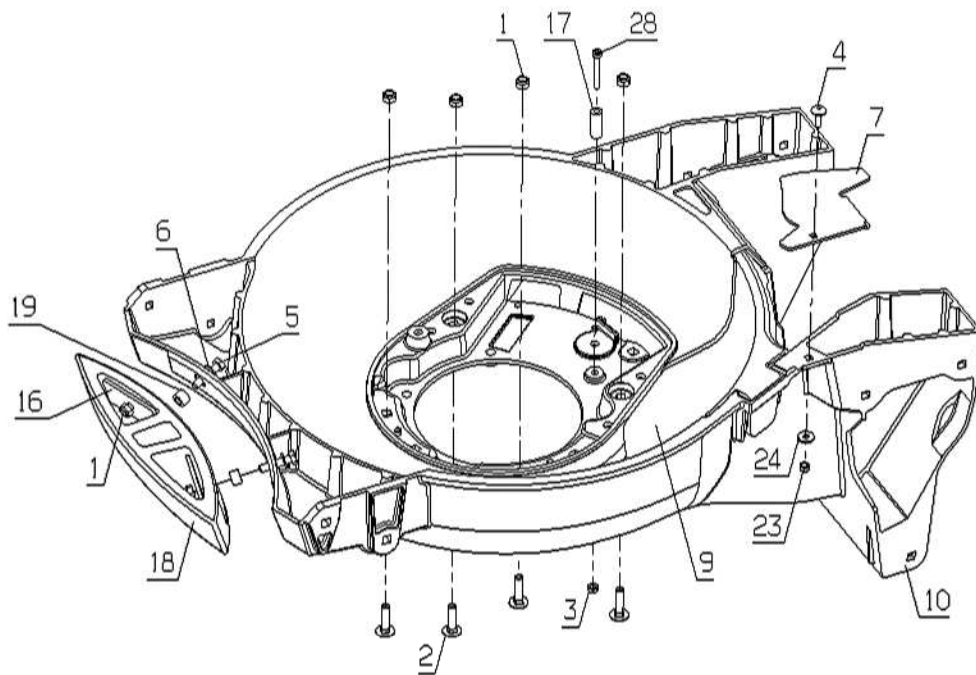
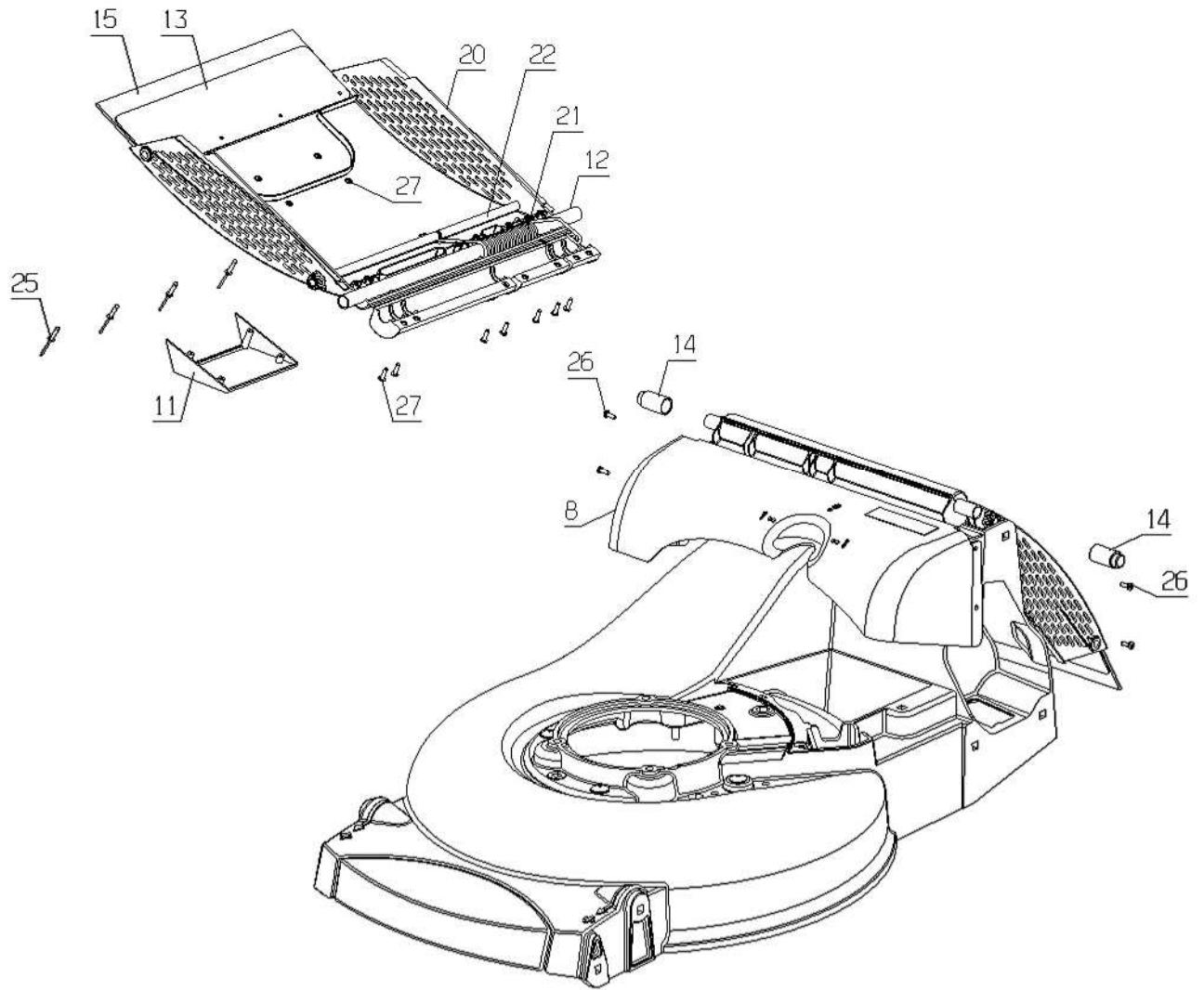
12/2015



PL01652

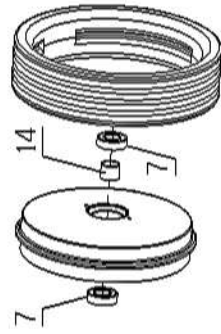
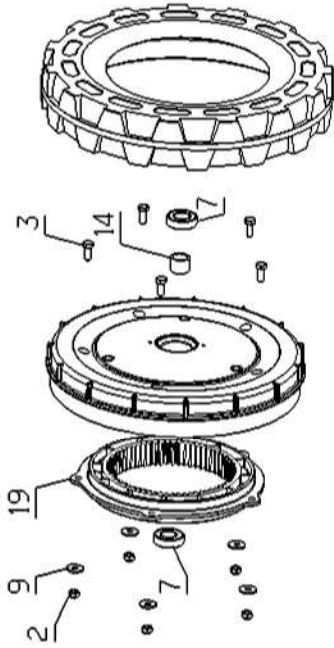
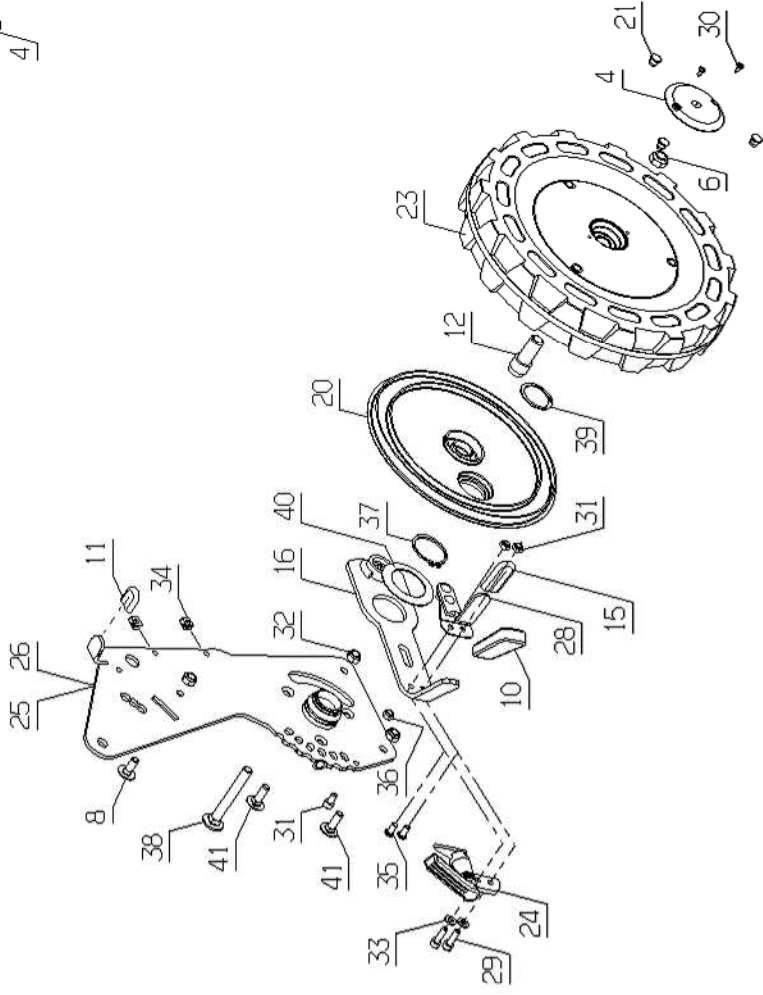
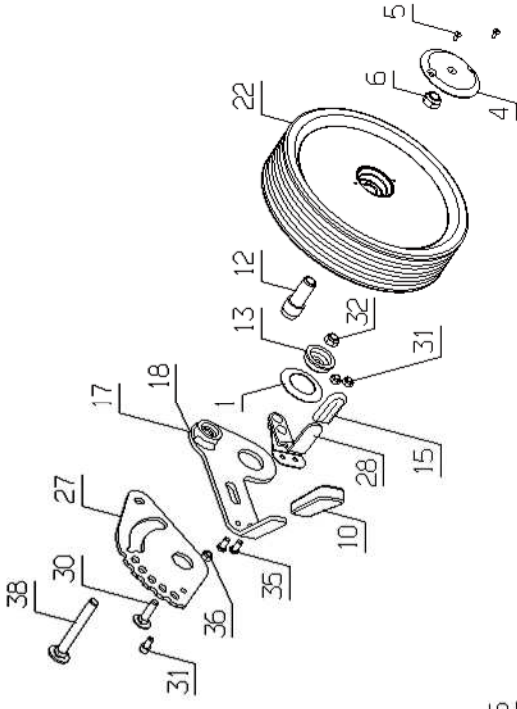
| Rep | Réf ETESIA | | | |
|-----|---------------|---------------------|---------------------|---------------------|
| 1 | 5464 | VIS CHC M5X10 | SCHRAUBE M5X10 | BOLT M5X10 |
| 2 | 6416 | RLE GROW-DIN 128 A8 | SCHEIBE | WASHER |
| 3 | 7377 | GRIFFAXE RENF. 8 | BOLZENCLIP | TRUARC COLLAR DIN 7 |
| 4 | 9061 | VIS HM 8X30 | SCHRAUBE 8X30 | BOLT 8X30 |
| 5 | 21481 | RDLE PL.A 5,3 | SCHEIBE | WASHER |
| 6 | 21608 | VIS JAPY M6X16 | SCHRAUBE M6X16 | SCREW 6X16 DIN |
| 7 | 23029 | BAGUE ARTICULATION | GELENKBÜCHSE | KNUCKLE RING |
| 8 | 24610 | BOUTON (PETIT) | HANDRAD | BUTTON (SMALL) |
| 9 | 35511 | ENTRET.D9/D5,2X6 | BÜCHSE D9/D5,2X6 | SPACER D9/D5,2X6 |
| 10 | 35559 | VIS JM8-45/32,8 | SCHRAUBE JM8-45 | SCREW JM8-45 |
| 11 | 40816 | GUIDON | LENKER | HANDLE BAR |
| 12 | 38148 | CABLE GAZ 6XV 160 | GASKABEL 6XV 160 | THROTTLE CABLE |
| 13 | 40102 | PIVOT | DREHZAPFEN | PIVOT |
| 14 | 40509 | ENTRETOISE EPAULEE | BÜCHSE | SPACER |
| 15 | 40524 | ENTRET.D9/D5,2X4,3 | BÜCHSE D9/D5,2X4,3 | SPACER D9/D5,2X4,3 |
| 16 | 40530 | ENTRET.ARTICULATION | BÜCHSE | SPACER |
| 17 | 40532 | ENTRET.BLOCAGE | BÜCHSE | SPACER |
| 18 | 40539 | LOQUET MBK | KLINKE | LATCH |
| 19 | 40543 | INDEXEUR GAZ | GAS INDEXIERER | THROTTLE INDEXING |
| 20 | 40544 | SECTEUR CRANTE | FORMGEZAHNT.SCHEIBE | INDEXED DISK |
| 21 | 40545 | PIVOT | DREHPUNKT | SLIDER |
| 22 | 40547 | CAME VARIATEUR | NOCKEN VARIATOR | CAM VARIATOR |
| 23 | 40549 | VERROU MBK | VERRIEGLUNG | LOCK |
| 24 | 40550 | TOLE ARTICULAT/BLOC | PLATTE | PLATE |
| 25 | 40553 | ENTRETOISE PLATINE | PLATTE BÜCHSE | PLATE SPACER |
| 26 | 40555 | MANETTE GAZ | GAZ HEBEL | THROTTLE LEVER |
| 27 | 40559 | AXE INDEXEUR AV/AR | ACHSE | AXLE |
| 28 | 40561 | AXE CAME | NOCKEN ACHSE | CAM AXLE |
| 29 | 40563 | CACHE G.ELEM.CDE | VERKLEIDUNG | COVER |
| 30 | 40564 | CACHE D. ELEM.CDE | VERKLEIDUNG | COVER |
| 31 | 40565 | RESSORT DE TRACTION | FEDER | SPRING |
| 33 | 40568 | RESSORT ARCEAU MBK | SPRING | FEDER |
| 34 | 40569 | RESSORT VERROU MBK | FEDER | SPRING |
| 35 | 40572 | CABLE FREIN DE LAME | MESSERBREMSE KABEL | BLADE BRAKE CABLE |
| 36 | 40573 | PATTE VARIATEUR | VARIO PLÄTCHEN | VARIATOR PLATE |
| 37 | 39671 | CABL TRACTION AV/AR | ANTRIEBSKABEL | TRANSMISSION CABLE |
| 38 | 40576 | COQUILLE DROITE | RECHTE SCHALE | RIGHT SHELL |
| 39 | 40577 | COQUILLE GAUCHE | LINKE SCHALE | LEFT SHELL |
| 40 | 40803 | ARCEAU AVANCE | BÜGEL | BOW |
| 42 | 40810 | ARCEAU MBK | BÜGEL | BOW |
| 43 | 40813 | SUPPORT TRACTION | HALTERUNG | BRACKET |
| 44 | 40821 | SUPPORT MBK | HALTERUNG | BRACKET |
| 45 | 40826 | LEVIER VARIATEUR | VARIO HEBEL | VARIATOR LEVER |
| 46 | 42675 | ENTRET.FIXAT.POULIE | BÜCHSE | SPACER |
| 47 | 43558 | BUTEE REGLABLE | ANSCHLAG | STOP |
| 48 | 71048 | VIS EJOT-PT KA40X10 | SCHRAUBE PT KA40X10 | BOLT EJ.PT KA40X10 |
| 49 | 71050 | VIS EJOT-PT KA40X12 | SCHRAUBE PT-KA40X12 | BOLT EJ.PT KA40X14 |
| 50 | 71073 | ECROU AUTOFR.HM6 | STOPMUTTER HM6 | SELF LOCKING NUT |
| 51 | 71074 | ECROU AUTOFR.HM8 | STOPMUTTER HM8 | NUT HM8 |

| | | | | |
|----|-------|---------------------|---------------------|--------------------|
| 52 | 71096 | RDLE PL B 6,4 | BEILAGSCHEIBE B6,4 | WASHER B6,4 |
| 53 | 71135 | VIS TH M5X25 DIN933 | SCHRAUBE TH M5X25 | SCREW 5X25 |
| 54 | 71232 | VIS CHC 6X12-8,8 | IMBUSSCHRAUBE M6X12 | CHC SCREW M6X12 |
| 55 | 71274 | RDLE PLATE B8.4 | SCHEIBE B8.4 | WASHER B8.4 |
| 56 | 71303 | VIS CHC M5-35,8.8 | IMBUSSCHR.M5X35 8.8 | SCREW M5X35 8,8 |
| 57 | 71308 | ECROU H FR M5,8 | STOPMUTTER M5 | LOCK NUT M5 |
| 58 | 71407 | VIS JM6-60,8.8 | SCHRAUBE JM6-60 | SCREW JM6-60 |
| 59 | 71408 | VIS CHC M5-20,8.8 | SCHRAUBE CHC M5-20 | SCREW CHC M5-20 |
| 60 | 71409 | VIS FHC/90 M5-30,8 | SCHRAUB.FHC/90 M5-3 | SCREW FHC/90 M5-30 |
| 61 | 71462 | VIS JM6-75,8.8 | SCHRAUBE JM6-75 | SCREW JM6-75 |
| 62 | 40556 | RESSORT COMPRESSION | FEDER | SPRING |
| 63 | 35778 | BUTEE GUIDON | LENKER ANSCHLAG | HANDLE BAR STOP |



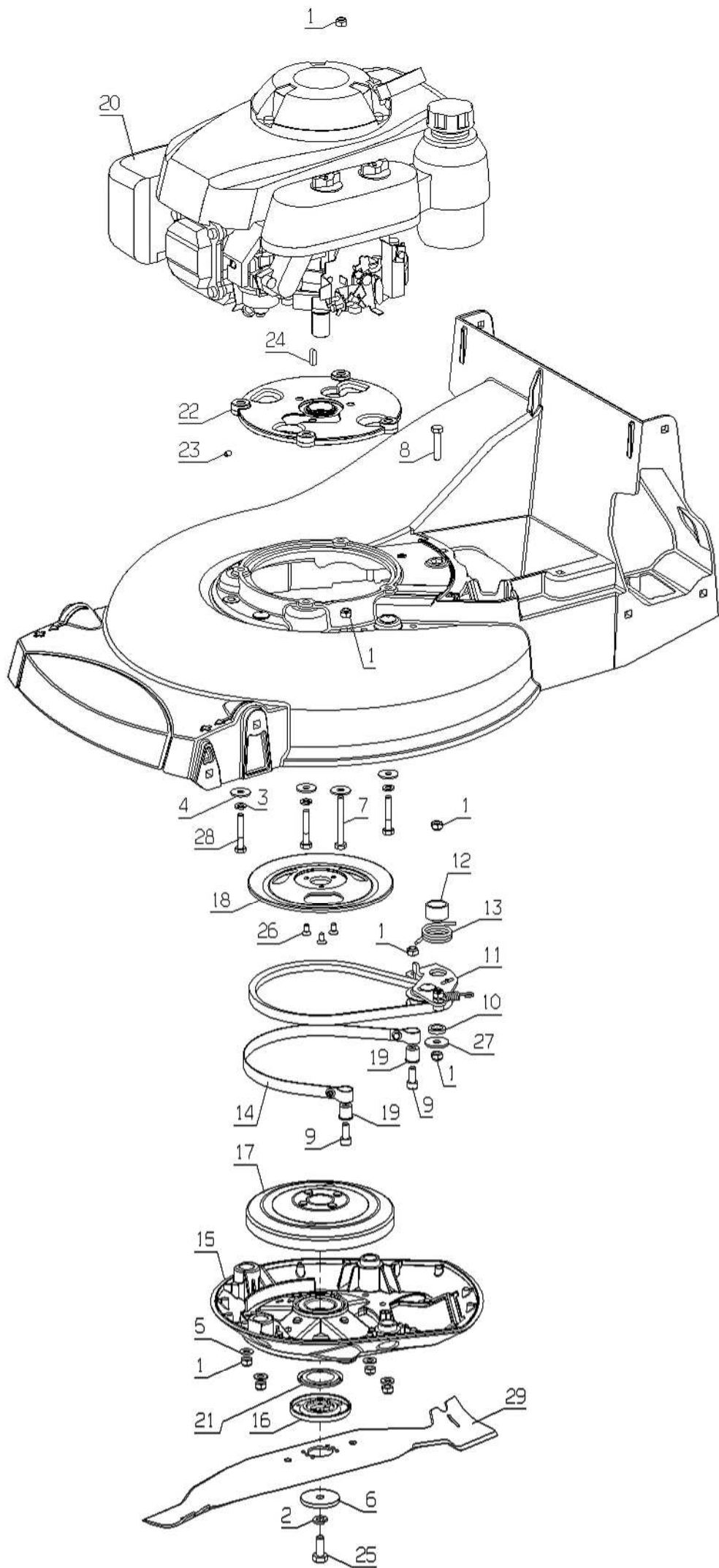
PL02263

| Rep | Réf ETESIA | | | |
|-----|---------------|---------------------|---------------------|---------------------|
| 1 | 2021 | ECR.AUTOFR.HM8 DIN | STOPMUTTER HM 8 DIN | NUT HM8 |
| 2 | 5041 | VIS J M 8X30 DIN603 | SCHRAUBE M8X30 | BOLT 8X30 |
| 3 | 5232 | ECR.AUTOFR.HM6 DIN | STOPMUTTER HM 6 DIN | SELF-LOCKING NUT |
| 4 | 5496 | VIS TRCC 6X20 | SCHRAUBE M6X20 | SCREW 6X20 |
| 5 | 7038 | VIS H M 8X35 DIN933 | SECHSKANTSCHRAUBE H | SCREW,DIN933 H M 8X |
| 6 | 7335 | RDLE PL A 8,4DIN12 | SCHEIBE A 8,4 | WASHER |
| 7 | 36248 | ANTIPERTE NOIRE | DECKEL | COVER |
| 8 | 37029 | CACHE POMPE BLOCAGE | BLOCK.PUMPE VERKLDG | BLOCK.PUMP COVER |
| 9 | 37265 | OBTURATEUR | VERSCHLUSS PLATTE | SEALING PLATE |
| 10 | 37816 | CARCASSE P53 BLANCH | MÄHDECK P53 WEIS | CUTTING DECK P53 WH |
| 11 | 40047 | POIGNEE CLAPET | GRIFF | GRIP |
| 12 | 40528 | TUBE CHARNIERE DEFL | ROHR | TUBE |
| 13 | 40551 | TOLE BAVETTE | LAPPEN BLECH | FLAPPER PLATE |
| 14 | 40578 | BAGUE CHARNIERE | SCHARNIER RING | HINGE RING |
| 15 | 40589 | BAVETTE DEFLECTEUR | DEFLEKTER LAPPEN | DEFLECTOR FLAPPER |
| 16 | 42059 | PLAQUE DE FIXATION | STOSSDÄMPF.PLÄTTCH. | BUMPER PLATE |
| 17 | 42027 | ENTRET.12X6,5X32,5 | BÜCHSE 12X6,5X32,5 | BUSH 12X6,5X32,5 |
| 18 | 42042 | PARE-CHOC | STOSSDÄMPFER | FRONT BUMPER |
| 19 | 42043 | ENTRET.15X8,5X10 | BÜCHSE 15X8,5X10 | BUSH 15X8,5X10 |
| 20 | 43154 | DEFLECTEUR | DEFLEKTOR | DEFLECTOR |
| 21 | 43122 | RESSORT DEFLECTEUR | FEDER | SPRING |
| 22 | 43126 | RENFORT DEFLECTEUR | DEFLEKTER VERSTÄRCK | DEFLECTOR REINFORC. |
| 23 | 71073 | ECROU AUTOFR.HM6 | STOPMUTTER HM6 | SELF LOCKING NUT |
| 24 | 71096 | RDLE PL B 6,4 | BEILAGSCHEIBE B6,4 | WASHER B6,4 |
| 25 | 71112 | RIVET CLOUS DIAM.4X | NIETE 4X18 | DIA.4X18 STAR RIVET |
| 26 | 71279 | VIS B4.2-13 4.6 | SCHRAUB B4.2-13 4.6 | SCREW B.42-13 4.6 |
| 27 | 71299 | VIS EJPT KA 40X14 | SCHRAUBE EJPT 40X14 | SCREW EJPT KA 40X14 |
| 28 | 71342 | VIS CHC M6-45,8.8 | IMBUSSCHR.M6X45 8.8 | SCREW M6X45 8.8 |



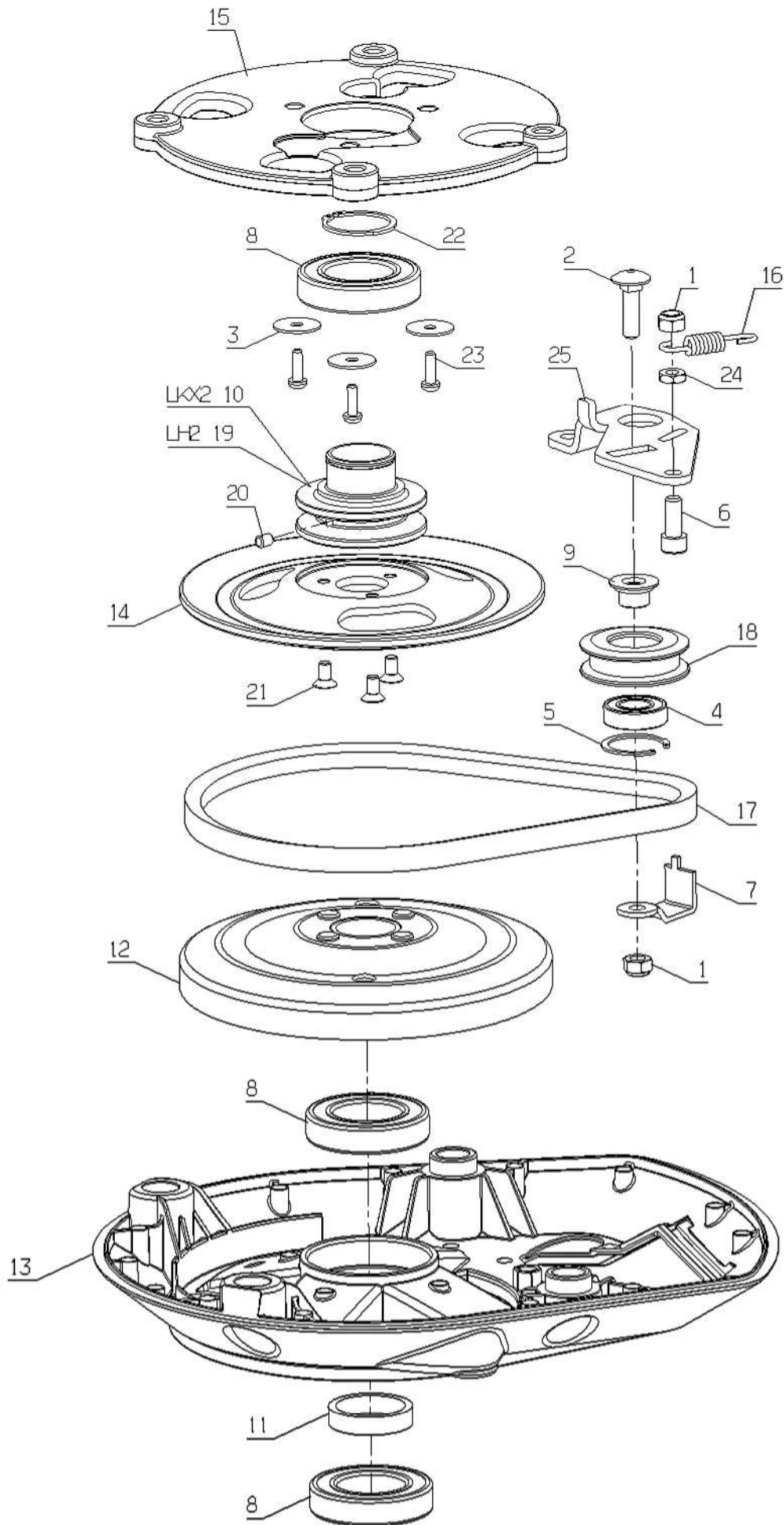
PLO2261

| Rep | Réf ETESIA | | | |
|-----|---------------|---------------------|-------------------------------|-----------------------|
| 1 | 5067 | RONDELLE BELLEVILLE | BELLEVILLE SCHEIBE | WASHER BELLEVILLE |
| 2 | 5232 | ECR.AUTOFR.HM6 DIN | STOPMUTTER HM 6 DIN | SELF-LOCKING NUT |
| 3 | 5334 | VIS H M 6X16 DIN933 | SCHRAUBE HM6X16 | SCREW HM6X16 |
| 4 | 5472 | CAPUCHON DE ROUE | RADKAPPE | WHEEL CAP |
| 5 | 7914 | VIS | SCHRAUBE | SCREW |
| 6 | 9017 | ECR.AUTOFR.HM10 DIN | MUTTER HM10 DI | NUT HM10 |
| 7 | 9022 | ROULEMENT A BILLES | KUGELLAGER 6002 2RS | BALL BEARING 6002 |
| 8 | 9071 | VIS J M 8X20 DIN603 | SCHRAUBE M8X20 | SCREW M8X20 |
| 9 | 21270 | RDLE PL B 6,4 | SCHEIBE 6,4 | WASHER 6,4 |
| 10 | 27071 | ENJOLIVEUR POIGNEE | ZIERLEISTE GRIFF | HANDLE DECORATION |
| 11 | 35778 | BUTEE GUIDON | LENKER ANSCHLAG | HANDLE BAR STOP |
| 12 | 40517 | -> 35033 | -> 35033 | -> 35033 |
| 13 | 40531 | BAGUE EPAULE HDC AV | RING | RING |
| 14 | 40585 | ENTRETOISE RLT ROUE | BÜCHSE | SPACER |
| 15 | 40594 | POIGNEE GACHETTE | GRIFF | GRIP |
| 16 | 40814 | PORTE ROUE AR.SOUDE | RAD HALTERUNG | WHEEL BRACKET |
| 17 | 40827 | PORTE ROUE AVANT G. | RAD HALTERUNG VOR.L | WHEEL BRACKET |
| 18 | 40828 | PORTE ROUE AVANT D. | RAD HALTERUNG VOR.R | WHEEL BRACKET |
| 19 | 42507 | COURONNE DENTEE | ZAHNKRANZ | INTERNAL GEAR |
| 20 | 42519 | CACHE ROUE NOIR | RAD KAPPE SCHWARZ | WHEEL COVER BLACK |
| 21 | 42608 | BOUCHON ROUE ARRIER | HINTERRADSTOPFEN | REAR WHEEL PLUG |
| 22 | 42650 | ROUE AV.CPLTE VERTE | VORDERRAD KPLT GRÜN | FRONT WHEEL CPLT GR |
| 23 | 42654 | ROUE AR.CPLTE VERTE | HINTERRAD KPLT GRÜN | REAR WHEEL CPLT GR. |
| 24 | 51789 | ENSEMBLE FREIN | BREMSSYSTEM | BRAKE ASSY |
| 25 | 51877 | PLATINE HDC ARD | SCHNITTHÖHE PLAT. HINT.RECHTS | CUT.HEIGHT REAR RIGHT |
| 26 | 51880 | PLATINE HDC ARG | SCHNITTHÖHE PLAT. HINT.LINKS | CUT.HEIGHT REAR LEFT |
| 27 | 51882 | PLATINE HDC AVANT | SCHNITTHÖHE PLAT. VORNE | CUT.HEIGHT FRONT |
| 28 | 51874 | GACHETTE HDC | SCHNITTHÖHE ABZUG | CUT.HEIGHT TRIGGER |
| 29 | 71044 | VIS CHC 6X20 | INNENSECHSKANTSCHRA | CAP SCREW,DIN 912-8 |
| 30 | 71070 | VIS TRCC 8X30 | SCHRAUBE M8X30 | SCREW 8X30 |
| 31 | 71073 | ECROU AUTOFR.HM6 | STOPMUTTER HM6 | SELF LOCKING NUT |
| 32 | 71074 | ECROU AUTOFR.HM8 | STOPMUTTER HM8 | NUT HM8 |
| 33 | 71094 | RDLE PL A 6,4 | SCHEIBE 6,4 | WASHER 6,4 |
| 34 | 71145 | ECROU NUL 536 | MUTTER | NUT 536 |
| 35 | 71196 | VIS BHC 6X12 10.9 | FLÜGELSCHRAUBE 6X12 | SCREW M6X12 |
| 36 | 71232 | VIS CHC 6X12-8,8 | IMBUSSCHRAUBE M6X12 | CHC SCREW M6X12 |
| 37 | 71393 | CIRCLIP EXT.SEEGER | SEEGERING | CIRCLIP |
| 38 | 71395 | VIS JM10-80,8.8 | SCHRAUBE JM10-80 | SCREW JM10-80 |
| 39 | 71396 | CIRCLIP EXT.SEEGER | SEEGERING | CIRCLIP |
| 40 | 71397 | RESSORT DISQUE | FEDER | SPRING |
| 41 | 71456 | VIS TRCC M BX25 | SCHRAUBE M BX25 | SCREW M BX25 |



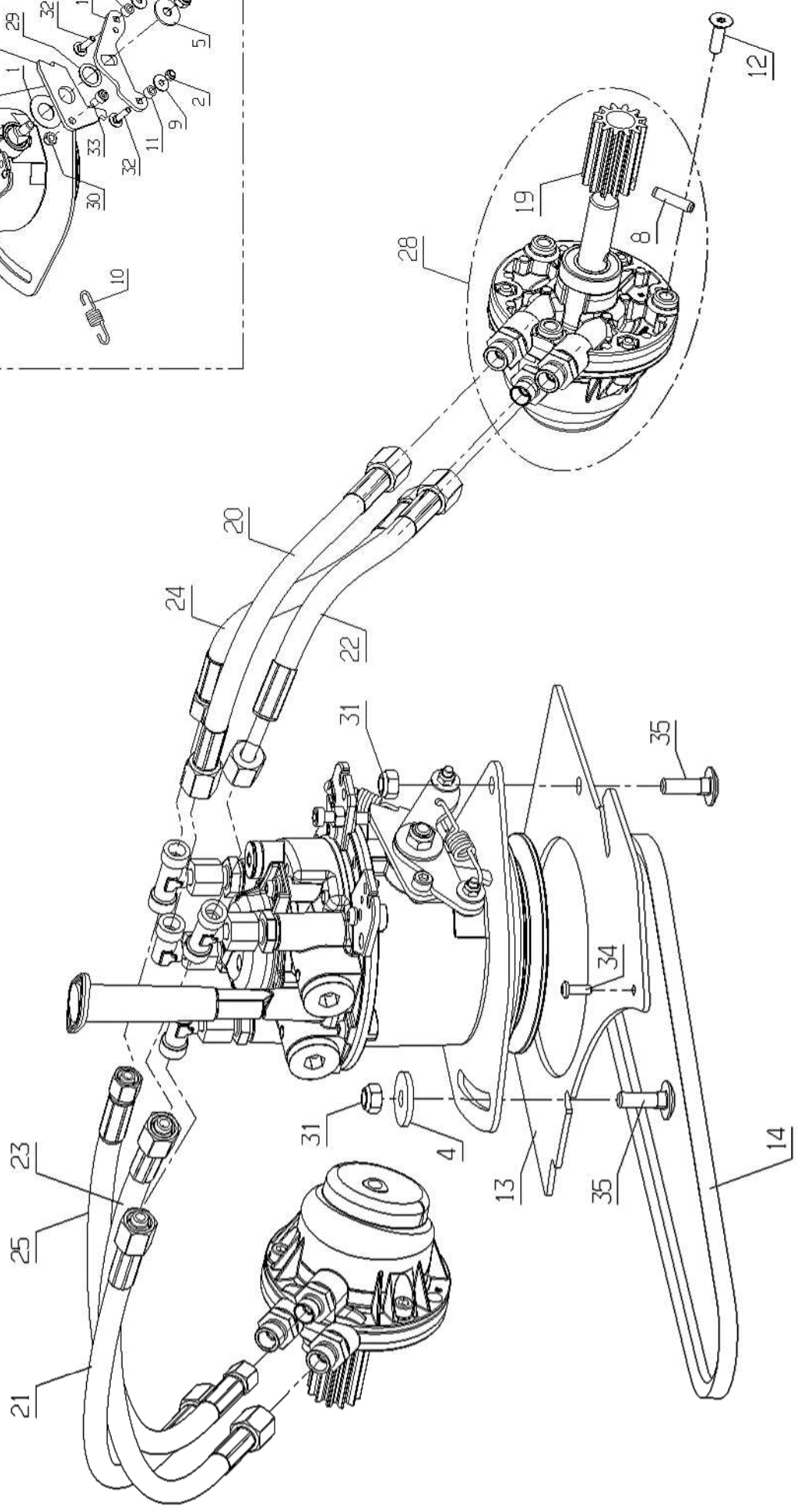
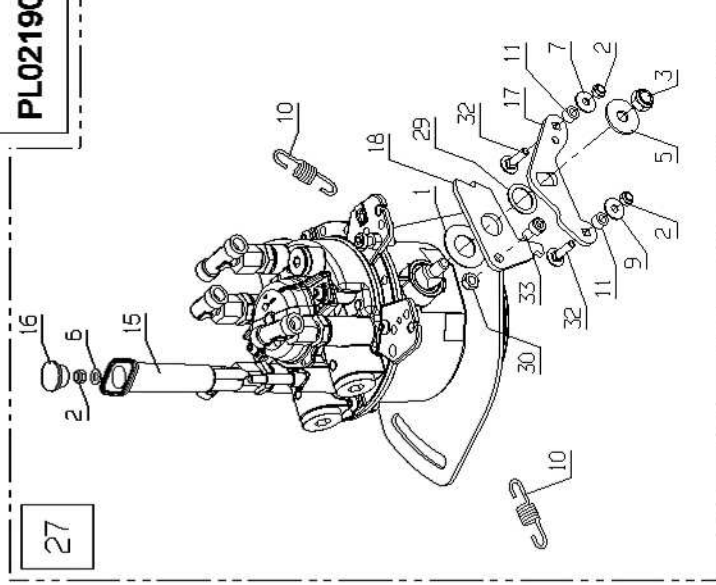
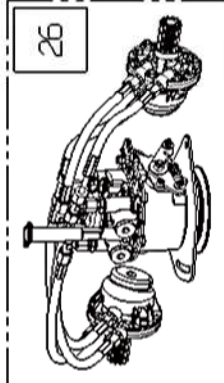
PL02258

| Rep | Réf ETESIA | | | |
|-----|---------------|---------------------|---------------------|---------------------|
| 1 | 2021 | ECR.AUTOFR.HM8 DIN | STOPMUTTER HM 8 DIN | NUT HM8 |
| 2 | 2244 | RDLE GROWER A10 | FEDERSCHEIBE A10 | WASHER A10 |
| 3 | 6416 | RLE GROW-DIN 128 A8 | SCHEIBE | WASHER |
| 4 | 7035 | RDLE PL B 8,4DIN90 | BEILAGSCHEIBE B8,4 | FLAT WASHER |
| 5 | 7335 | RDLE PL A 8,4DIN12 | SCHEIBE A 8,4 | WASHER |
| 6 | 7341 | RDLE PL 10,3X49X5 | SCHEIBE 10,3X49X5 | FLAT WASHER 10,3X49 |
| 7 | 20633 | VIS HM 8X65 | SECHSKANTSCHR.8X65 | HEX.SCREW 8X65 |
| 8 | 21114 | VIS HM 8X40 | SCHRAUBE 8X40 | BOLT 8X40 |
| 9 | 22011 | VIS CHC M 8X20 | SCHRAUBE M 8X20 | BOLT M 8X20 |
| 10 | 24046 | PIVOT VARIATEUR | VARIATOR DREHZAPFEN | VARIATOR PIVOT |
| 11 | 36872 | ENS.TENDEUR FREIN | BREMSSPANNER KPLT | BRAKE TENSIONER CPL |
| 12 | 36947 | ENTRETOISE TENDEUR | BÜCHSE | SPACER |
| 13 | 36948 | RESSORT TORSION | TORSIONS FEDER | TORSION SPRING |
| 14 | 37895 | BANDE DE FREINAGE | BREMSBAND | BRAKE STRIP |
| 15 | 39336 | ENS. PORTE LAME | MESSER HALTERG KPLT | BLADE HOLDER CPLT |
| 16 | 39481 | RDLE LAME | MESSER SCHEIBE | BLADE WASHER |
| 17 | 39482 | DEMI POULIE RIVETEE | HALBE SCHEIBE | HALF PULLEY |
| 18 | 39804 | VOLANT MOTEUR | SCHWUNGRAD | FLYWHEEL |
| 19 | 40538 | PLOT BANDE FREINAGE | BREMSBANDKLOTZ | BRAKE STRIP BLOCK |
| 20 | 42151 | MOTEUR HONDA GXV160 | MOTOR HONDA GXV160 | ENGINE HONDA GXV160 |
| 21 | 50541 | RDLE ETANCHEITE | SCHEIBE | WASHER |
| 22 | 51426 | SUPPORT MOTEUR | MOTOR BEFESTIGUNG | ENGINR BRACKET |
| 23 | 52022 | VIS | SCHRAUBE | SCREW |
| 24 | 52096 | CLAVETTE | KEIL | KEY |
| 25 | 70086 | VIS H M10X25 DIN933 | SECHSKANTSCHRAUBE H | HEXAGON SCREW,DIN 9 |
| 26 | 71021 | VIS FHC/90 M6X12 | SCHRAU.FHC/90 M6X12 | SCREW FHC/90 M6X12 |
| 27 | 71311 | RONDELLE 8X30X2,5 | SCHEIBE 8X30X2,5 | WASHER 8X30X2,5 |
| 28 | 71426 | VIS H 5/16" UNF 45 | SCHRAUB.H5/16"UNF45 | SCREW H 5/16" UNF45 |
| 29 | TZ53N | LAME | MESSER | BLADE |



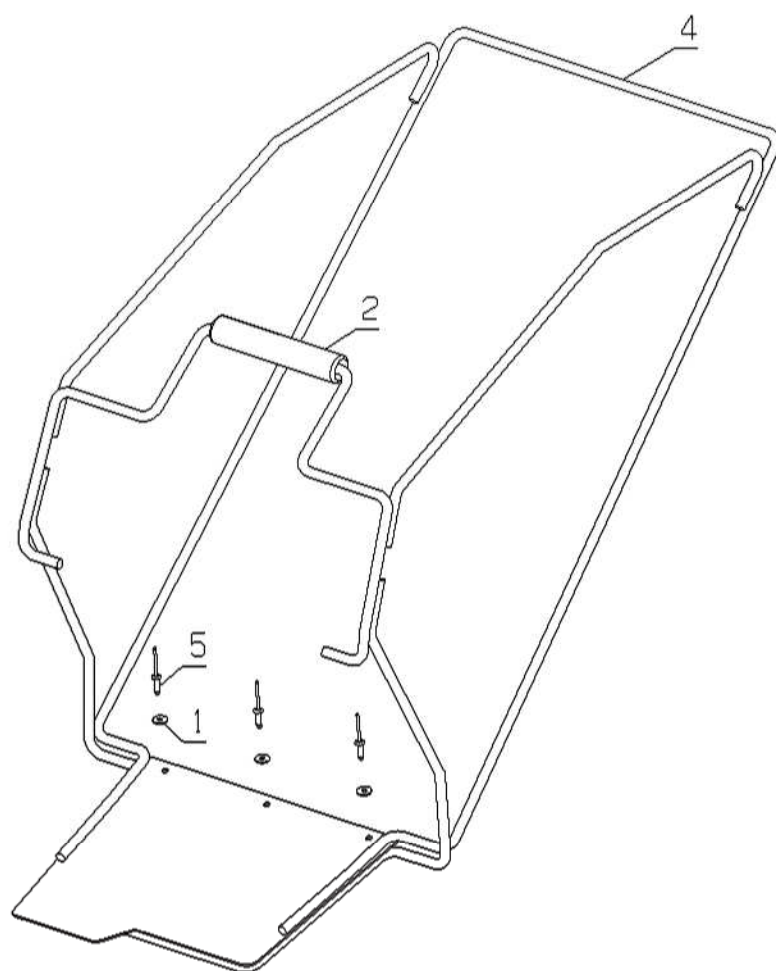
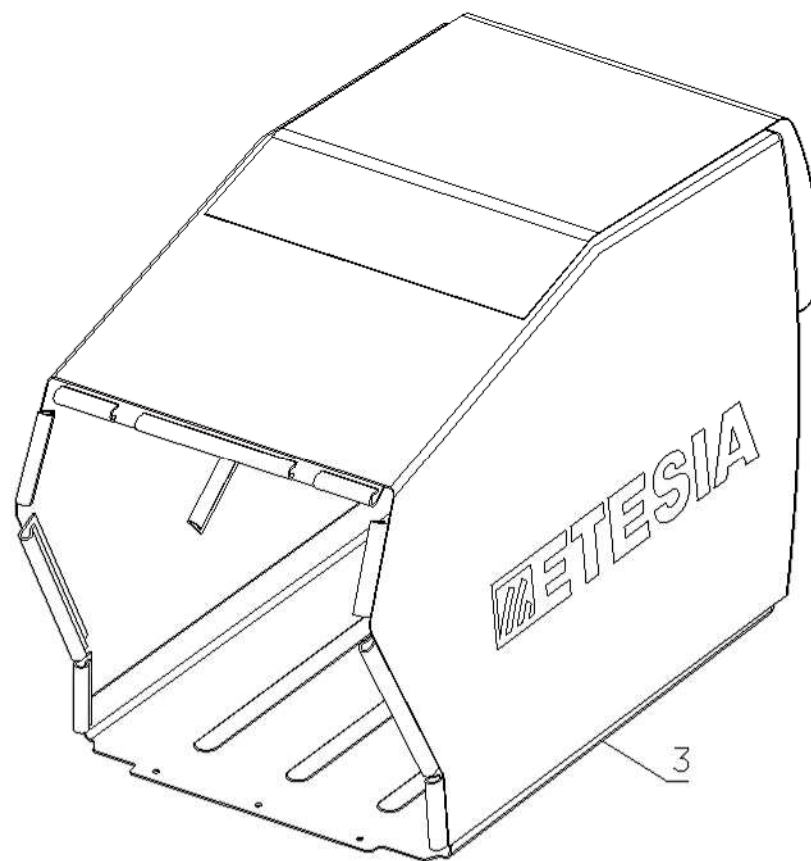
PL02259

| Rep | Réf ETESIA | | | |
|-----|---------------|---------------------|---------------------|--------------------|
| 1 | 2021 | ECR.AUTOFR.HM8 DIN | STOPMUTTER HM 8 DIN | NUT HM8 |
| 2 | 5041 | VIS J M 8X30 DIN603 | SCHRAUBE M8X30 | BOLT 8X30 |
| 3 | 5604 | RONDELLE PLATE LL6N | SCHEIBE LL 6N | WASHER |
| 4 | 9022 | ROULEMENT A BILLES | KUGELLAGER 6002 2RS | BALL BEARING 6002 |
| 5 | 21256 | CIRCLIPS INT.32X1,2 | SEEGERING 32X1,2 | CIRCLIP |
| 6 | 22011 | VIS CHC M 8X20 | SCHRAUBE M 8X20 | BOLT M 8X20 |
| 7 | 24155 | BUTEE DE COURROIE | RIEMENANSCHLAG | BELT STOP |
| 8 | 24832 | RLT 6007-2RS1 | KUGELLAGER 6007-2RS | BEARING 6007-2RS1 |
| 9 | 24836 | BAGUE EPAULEE | BÜCHSE | RING |
| 10 | 39807 | POULIE | SCHEIBE | PULLEY |
| 11 | 39480 | ENTRETOISE | BÜCHSE | SPACER |
| 12 | 39482 | DEMI POULIE RIVETEE | HALBE SCHEIBE | HALF PULLEY |
| 13 | 39803 | PORTE LAME | MESSER HALTERUNG | BLADE BRACKET |
| 14 | 39804 | VOLANT MOTEUR | SCHWUNGRAD | FLYWHEEL |
| 15 | 39808 | SUPPORT MOTEUR | MOTEUR BEFESTIGUNG | ENGINE BRACKET |
| 16 | 40591 | RESSORT MBK | FEDER | SPRING |
| 17 | 42009 | COURR.AX25-13X8X660 | RIEMENAX25-13X8X660 | BELT AX25-13X8X660 |
| 18 | 42070 | POULIE FONTE DIA.45 | GUSSSCHEIBE DIA.45 | IRON PULLEY DIA.45 |
| 19 | 51427 | POULIE | SCHEIBE | PULLEY |
| 20 | 52022 | VIS | SCHRAUBE | SCREW |
| 21 | 71021 | VIS FHC/90 M6X12 | SCHRAU.FHC/90 M6X12 | SCREW FHC/90 M6X12 |
| 22 | 71174 | CIRCL EXT.35X1,5 | SEEGERING 35X1,5 | CIRCLIP 35X1,5 |
| 23 | 71211 | VIS EJ-PT D6 50X16 | SCHRAUBE 50X16 | BOLT EJ-PT 50X16 |
| 24 | 71347 | ECROU BAS M8X1,25 | MUTTER M8X1,25 | NUT M8X1,25 |
| 25 | 37467 | PLATINE EMBR.FREIN | KUPPLUNGS PLATTE | CLUTCH PLATE |



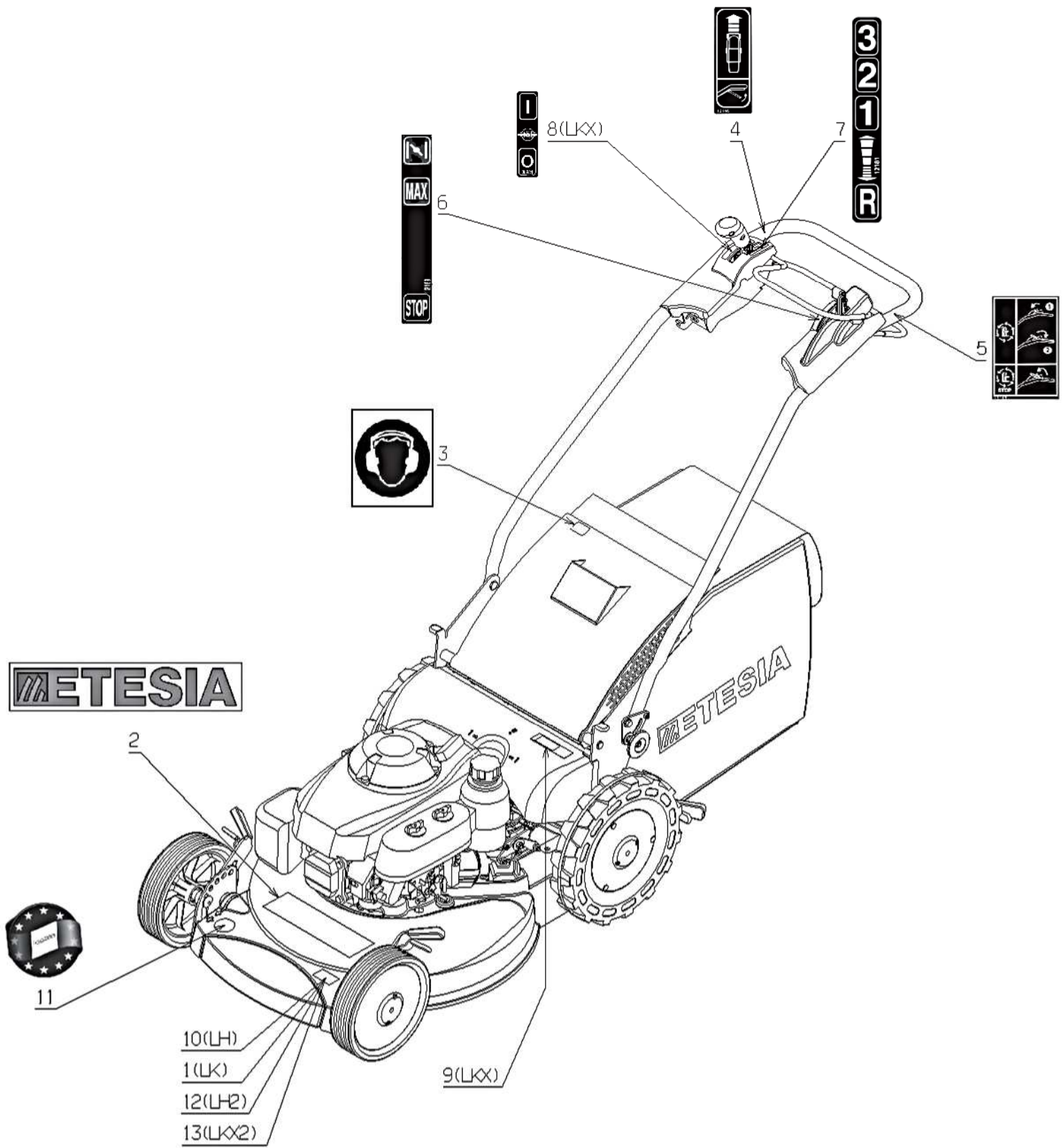
PL02190

| Rep | Réf ETESIA | | | |
|-----|---------------|---------------------|---------------------|---------------------|
| 1 | 1511 | RONDELLE | SCHEIBE | WASHER |
| 2 | 1607 | ECR.AUTOFR.HM5 DIN | STOPMUTTER HM5 | NUT |
| 3 | 2021 | ECR.AUTOFR.HM8 DIN | STOPMUTTER HM 8 DIN | NUT HM8 |
| 4 | 5444 | RDLE R9 ST '9X28X3' | SCHEIBE '9X28X3' | WASHER |
| 5 | 7035 | RDLE PL B 8,4DIN90 | BEILAGSCHEIBE B8,4 | FLAT WASHER |
| 6 | 20564 | RONDELLE PLATE 5,5 | SCHEIBE 5,5 | WASHER 5,5 |
| 7 | 21481 | RDLE PL A 5,3 | SCHEIBE | WASHER |
| 8 | 21609 | GOUPILLE SPI.5X22 | SPLINTE 5X22 | PIN 5X22 |
| 9 | 21481 | RDLE PL A 5,3 | SCHEIBE | WASHER |
| 10 | 24838 | RESSORT | FEDER | SPRING |
| 11 | 35511 | ENTRET.D9/D5,2X6 | BÜCHSE D9/D5,2X6 | SPACER D9/D5,2X6 |
| 12 | 36962 | VIS FX M6-20 TX30 | SCHRAUBE FX M6-20 | SCREW FX M6-20 TX30 |
| 13 | 37926 | TOLE SUPP.POMPE NOI | PUMPE HALTERUNG | PUMP BRACKET |
| 14 | 37967 | COURROIE SPZ 787 | KEILRIEMENT SPZ 787 | BELT ZPZ 787 |
| 15 | 37980 | BOUTON BY PASS | BY PASS KNOFF | BY PASS BUTTOM |
| 16 | 40519 | BOUCHON | KNOFF | BUTTOM |
| 17 | 40708 | LEVIER TRACTION | ANTRIEBS HEBEL | TRACTION LEVER |
| 18 | 40711 | BUTEE POINT MORT | NUL PUNKT ANSCHLAG | DEAD POINT STOP |
| 19 | 40722 | PIGNON CREUX | ZAHNRAD | GEAR |
| 20 | 40729 | FLEXIBLE AV.GAUCHE | SCHLAUCH VORN.LINKS | HOSE |
| 21 | 40730 | FLEXIBLE AV.DROIT | SCHLAUCH VOR.RECHTS | HOSE |
| 22 | 40731 | FLEXIBLE AR.GAUCHE | SCHLAUCH HINT.LINKS | HOSE |
| 23 | 40732 | FLEXIBLE AR.DROIT | SCHLAUCH HINT.RECHT | HOSE |
| 24 | 40733 | FLEXIBLE DRAIN G. | SCHLAUCH | HOSE |
| 25 | 40734 | FLEXIBLE DRAIN DR. | SCHLAUCH | HOSE |
| 26 | 40843 | ENS.TRANSM.SANS HDC | GETRIEBE LH/LKX2 | TRANSMISS. LH/LKX2 |
| 27 | 40992 | POMPE HYDROST.CPL. | HYD. PUMPE | HYD. PUMP |
| 28 | 40993 | MOTEUR HYDRAULIQUE | HYD. MOTOR | HYD. ENGINE |
| 29 | 71016 | RDLE 16X22X1 DIN988 | SCHEIBE 16X22X1 | WASHER 16X22X1 |
| 30 | 71073 | ECROU AUTOFR.HM6 | STOPMUTTER HM6 | SELF LOCKING NUT |
| 31 | 71074 | ECROU AUTOFR.HM8 | STOPMUTTER HM8 | NUT HM8 |
| 32 | 71183 | VIS TRCC M5X20 | SCHRAUBE M5X20 | SCREW M5X20 |
| 33 | 71232 | VIS CHC 6X12-8,8 | IMBUSSCHRAUBE M6X12 | CHC SCREW M6X12 |
| 34 | 71279 | VIS B4.2-13 4.6 | SCHRAUB B4.2-13 4.6 | SCREW B.42-13 4.6 |
| 35 | 71456 | VIS TRCC M 8X25 | SCHRAUBE M 8X25 | SCREW M 8X25 |



PL01276

| Rep | Réf ETESIA | | | |
|-----|---------------|---------------------|---------------------|---------------------|
| 1 | 7094 | RDLE PL B 4,3DIN90 | BEILAGSCHEIBE B 4,3 | FLAT WASHER |
| 2 | 24991 | ENSEMBLE POIGNEE | VORRICHTUNG GRIFF | GRIP ASSY |
| 3 | 40660 | TOILE PANIER + FOND | FANGSACK | GRASBAG |
| 4 | 40849 | CADRE PANIER | KORB RAHMEN | GRASBAG FRAME |
| 5 | 71113 | RIVET CLOUS DIAM.4X | NIETE 4X14,8 (ALU) | NAIL RIVET, DIA. 4X |



PL01574

| Rep | Réf ETESIA | | | |
|-----|---------------|---------------------|---------------------|---------------------|
| 1 | 11507 | BLASON LK | LK AUFKLEBER | LK STICKER |
| 2 | 12048 | AUTOCOLLANT 26*4 | AUFKLEBER | STICKER 26*4 |
| 3 | 12136 | ETIQ.PICTOG.ANTI-B | LÄRMSCHUTZ PIKTOGR. | SOUNDPROOF LABEL |
| 4 | 12146 | ETIQ.AVANCE | VORSCHUB AUFKLEBER | ADVANCE LABEL |
| 5 | 12163 | ETIQ.EMBR.FR.LAME | MESS.KUPPL.AUFKLEB. | BLADE CLUTCH STICKE |
| 6 | 12169 | ETIQUETTE GAZ START | START AUFKLEBER | START STICKER |
| 7 | 12181 | ETIQ.VAR.MARCHE ARR | AUFKLEBER | STICKER |
| 8 | 38284 | ETIQ.BLOCAGE DIFF. | AUFKLEBER | STICKER |
| 9 | 38334 | BLASON LKX | AUFKLEBER LKX | STICKER LKX |
| 10 | 38336 | BLASON LH | AUFKLEBER LH | STICKER LH |
| 11 | 38728 | ETIQ.FRANCE/EUROPE | AUKLEBER FRANC/EURO | STICKER FRANCE/EURO |
| 12 | 12226 | BLASON LH2 | AUFKLEBER LH2 | STICKER LH2 |
| 13 | 12224 | BLASON LKX2 | AUFKLEBER LKX2 | STICKER LKX2 |