



**LKX2**

**01/2016**

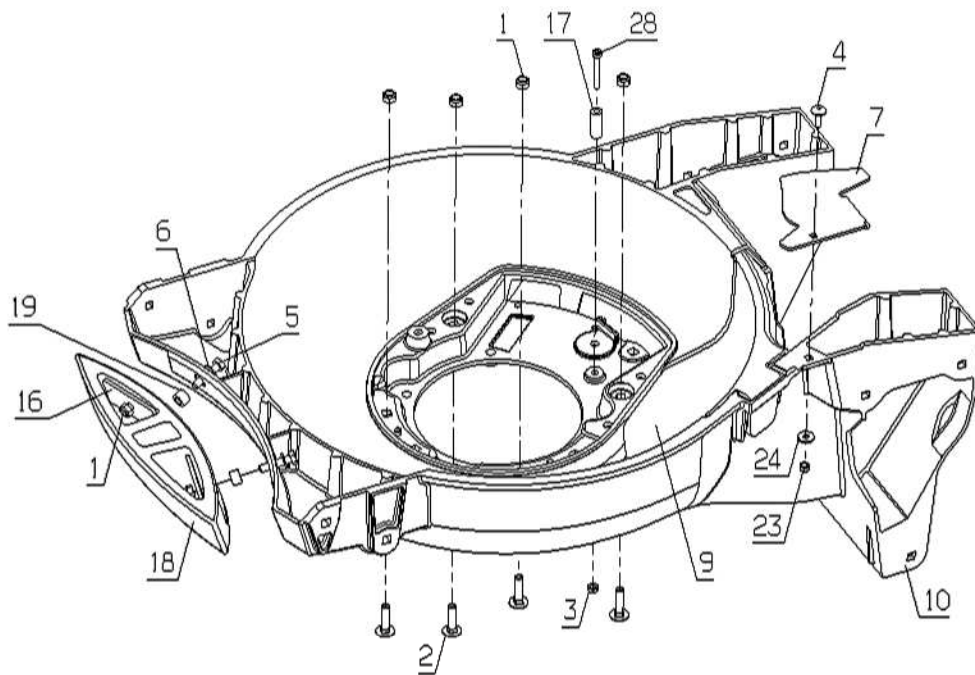
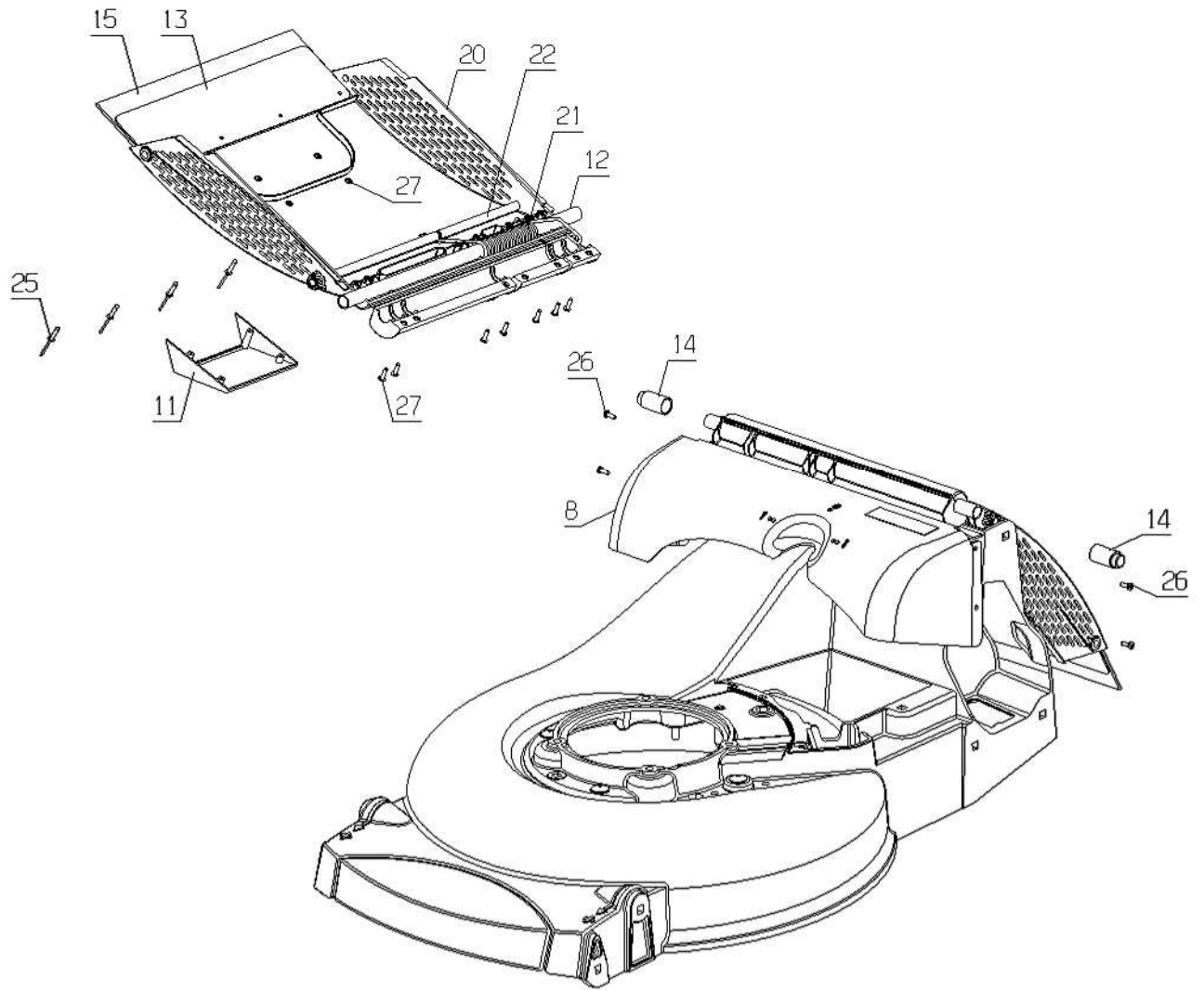


## PL01657

| Rep | Réf<br>ETESIA |                     |                     |                     |
|-----|---------------|---------------------|---------------------|---------------------|
| 1   | 1517          | RONDELLE 13X40X3    | SCHEIBE 13X40X3     | WASHER 13X40X3      |
| 2   | 5464          | VIS CHC M5X10       | SCHRAUBE M5X10      | BOLT M5X10          |
| 3   | 6416          | RLE GROW-DIN 128 A8 | SCHEIBE             | WASHER              |
| 4   | 7377          | GRIFFAXE RENF. 8    | BOLZENCLIP          | TRUARC COLLAR DIN 7 |
| 5   | 9061          | VIS HM 8X30         | SCHRAUBE 8X30       | BOLT 8X30           |
| 6   | 21481         | RDLE PL A 5,3       | SCHEIBE             | WASHER              |
| 7   | 21608         | VIS JAPY M6X16      | SCHRAUBE M6X16      | SCREW 6X16 DIN      |
| 8   | 23029         | BAGUE ARTICULATION  | GELENKBÜCHSE        | KNUCKLE RING        |
| 9   | 24610         | BOUTON (PETIT)      | HANDRAD             | BUTTON (SMALL)      |
| 10  | 35511         | ENTRET.D9/D5,2X6    | BÜCHSE D9/D5,2X6    | SPACER D9/D5,2X6    |
| 11  | 35559         | VIS JM8-45/32,8     | SCHRAUBE JM8-45     | SCREW JM8-45        |
| 12  | 36865         | LEVIER BLOCAGE      | BLOCKIERHEBEL       | LOCKING LEVEL       |
| 13  | 36866         | RESSORT TORSION     | TORSIONS FEDER      | SPRING              |
| 14  | 37013         | CACHE ELTS CDE BLOC | VERKLEIDUNG         | COVER               |
| 15  | 40816         | GUIDON              | LENKER              | HANDLE BAR          |
| 16  | 40102         | PIVOT               | DREHZAPFEN          | PIVOT               |
| 17  | 40509         | ENTRETOISE EPAULEE  | BÜCHSE              | SPACER              |
| 18  | 40524         | ENTRET.D9/D5,2X4,3  | BÜCHSE D9/D5,2X4,3  | SPACER D9/D5,2X4,3  |
| 19  | 40530         | ENTRET.ARTICULATION | BÜCHSE              | SPACER              |
| 20  | 40532         | ENTRET.BLOCAGE      | BÜCHSE              | SPACER              |
| 21  | 40539         | LOQUET MBK          | KLINKE              | LATCH               |
| 22  | 40543         | INDEXEUR GAZ        | GAS INDEXIERER      | THROTTLE INDEXING   |
| 23  | 40544         | SECTEUR CRANTE      | FORMGEZAHNT.SCHEIBE | INDEXED DISK        |
| 24  | 40545         | PIVOT               | DREHPUNKT           | SLIDER              |
| 25  | 40547         | CAME VARIATEUR      | NOCKEN VARIATOR     | CAM VARIATOR        |
| 26  | 40549         | VERROU MBK          | VERRIEGLUNG         | LOCK                |
| 27  | 40550         | TOLE ARTICULAT/BLOC | PLATTE              | PLATE               |
| 28  | 40553         | ENTRETOISE PLATINE  | PLATTE BÜCHSE       | PLATE SPACER        |
| 29  | 40555         | MANETTE GAZ         | GAZ HEBEL           | THROTTLE LEVER      |
| 30  | 40559         | AXE INDEXEUR AV/AR  | ACHSE               | AXLE                |
| 31  | 40561         | AXE CAME            | NOCKEN ACHSE        | CAM AXLE            |
| 32  | 40563         | CACHE G.ELEM.CDE    | VERKLEIDUNG         | COVER               |
| 33  | 40565         | RESSORT DE TRACTION | FEDER               | SPRING              |
| 35  | 40568         | RESSORT ARCEAU MBK  | SPRING              | FEDER               |
| 36  | 40569         | RESSORT VERROU MBK  | FEDER               | SPRING              |
| 37  | 40571         | CABLE GAZ           | GASKABEL            | THROTTLE CABLE      |
| 38  | 40572         | CABLE FREIN DE LAME | MESSERBREMSE KABEL  | BLADE BRAKE CABLE   |
| 39  | 40573         | PATTE VARIATEUR     | VARIO PLÄTCHEN      | VARIATOR PLATE      |
| 40  | 39671         | CABL TRACTION AV/AR | ANTRIEBSKABEL       | TRANSMISSION CABLE  |
| 41  | 40576         | COQUILLE DROITE     | RECHTE SCHALE       | RIGHT SHELL         |
| 42  | 40577         | COQUILLE GAUCHE     | LINKE SCHALE        | LEFT SHELL          |
| 43  | 40803         | ARCEAU AVANCE       | BÜGEL               | BOW                 |
| 45  | 40810         | ARCEAU MBK          | BÜGEL               | BOW                 |
| 46  | 40813         | SUPPORT TRACTION    | HALTERUNG           | BRACKET             |
| 47  | 40821         | SUPPORT MBK         | HALTERUNG           | BRACKET             |
| 48  | 40826         | LEVIER VARIATEUR    | VARIO HEBEL         | VARIATOR LEVER      |
| 49  | 42675         | ENTRET.FIXAT.POULIE | BÜCHSE              | SPACER              |
| 50  | 43558         | BUTEE REGLABLE      | ANSCHLAG            | STOP                |
| 51  | 71048         | VIS EJOT-PT KA40X10 | SCHRAUBE PT KA40X10 | BOLT EJ.PT KA40X10  |

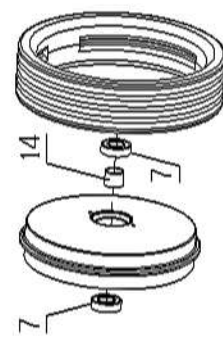
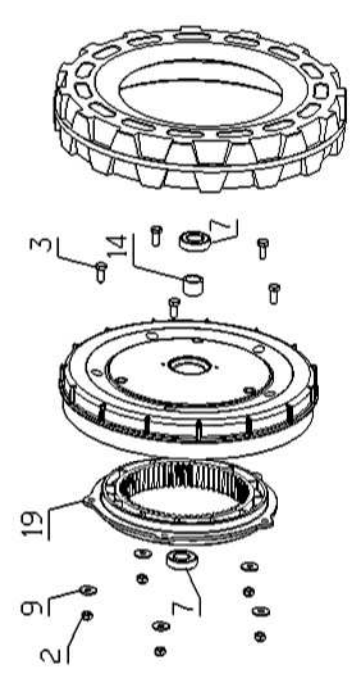
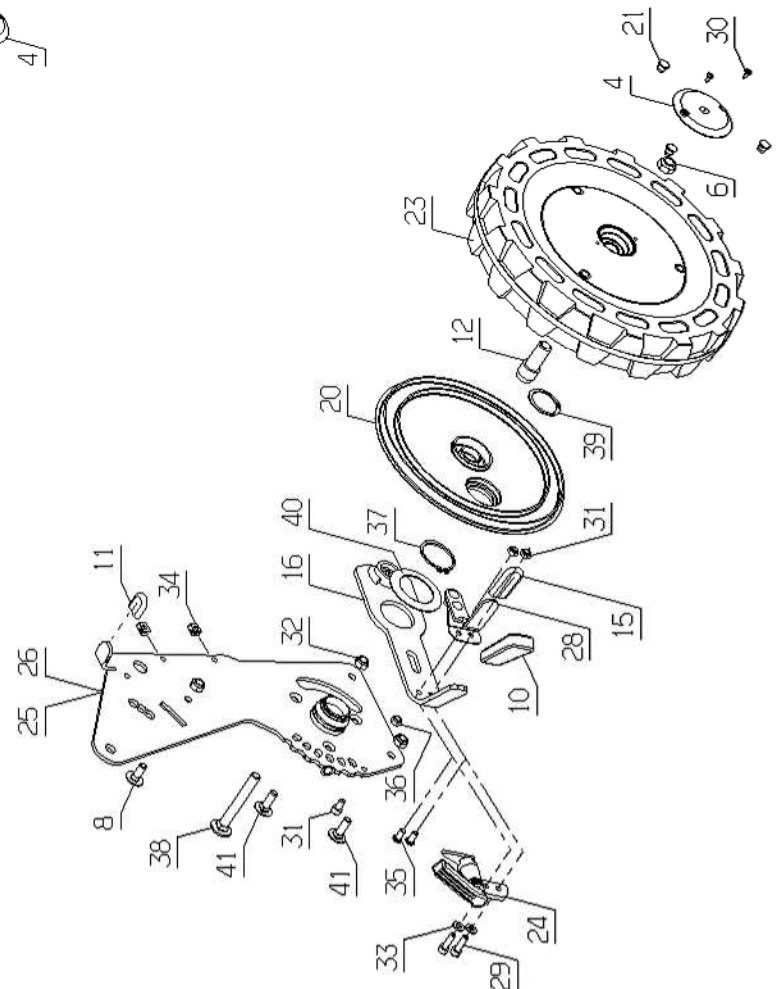
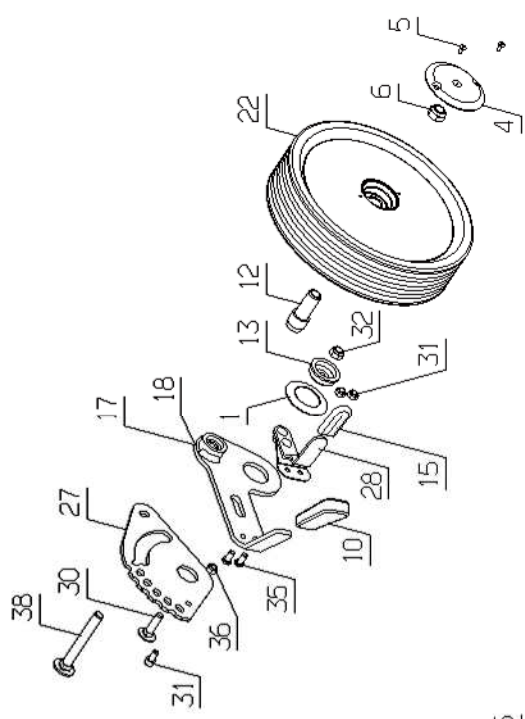
|    |       |                     |                     |                    |
|----|-------|---------------------|---------------------|--------------------|
| 52 | 71050 | VIS EJOT-PT KA40X12 | SCHRAUBE PT-KA40X12 | BOLT EJ.PT KA40X14 |
| 53 | 71073 | ECROU AUTOFR.HM6    | STOPMUTTER HM6      | SELF LOCKING NUT   |
| 54 | 71074 | ECROU AUTOFR.HM8    | STOPMUTTER HM8      | NUT HM8            |
| 55 | 71096 | RDLE PL B 6,4       | BEILAGSCHEIBE B6,4  | WASHER B6,4        |
| 56 | 71135 | VIS TH M5X25 DIN933 | SCHRAUBE TH M5X25   | SCREW 5X25         |
| 57 | 71232 | VIS CHC 6X12-8,8    | IMBUSSCHRAUBE M6X12 | CHC SCREW M6X12    |
| 58 | 71274 | RDLE PLATE B8.4     | SCHEIBE B8.4        | WASHER B8.4        |
| 59 | 71303 | VIS CHC M5-35,8.8   | IMBUSSCHR.M5X35 8.8 | SCREW M5X35 8,8    |
| 60 | 71308 | ECROU H FR M5,8     | STOPMUTTER M5       | LOCK NUT M5        |
| 61 | 71407 | VIS JM6-60,8.8      | SCHRAUBE JM6-60     | SCREW JM6-60       |
| 62 | 71408 | VIS CHC M5-20,8.8   | SCHRAUBE CHC M5-20  | SCREW CHC M5-20    |
| 63 | 71409 | VIS FHC/90 M5-30,8  | SCHRAUB.FHC/90 M5-3 | SCREW FHC/90 M5-30 |
| 64 | 71462 | VIS JM6-75,8.8      | SCHRAUBE JM6-75     | SCREW JM6-75       |
| 65 | 40556 | RESSORT COMPRESSION | FEDER               | SPRING             |
| 66 | 35778 | BUTEE GUIDON        | LENKER ANSCHLAG     | HANDLE BAR STOP    |
| 67 | 36869 | CABLE BLOCAGE       | BLOCKIER KABEL      | LOCKING CABLE      |





# PL02263

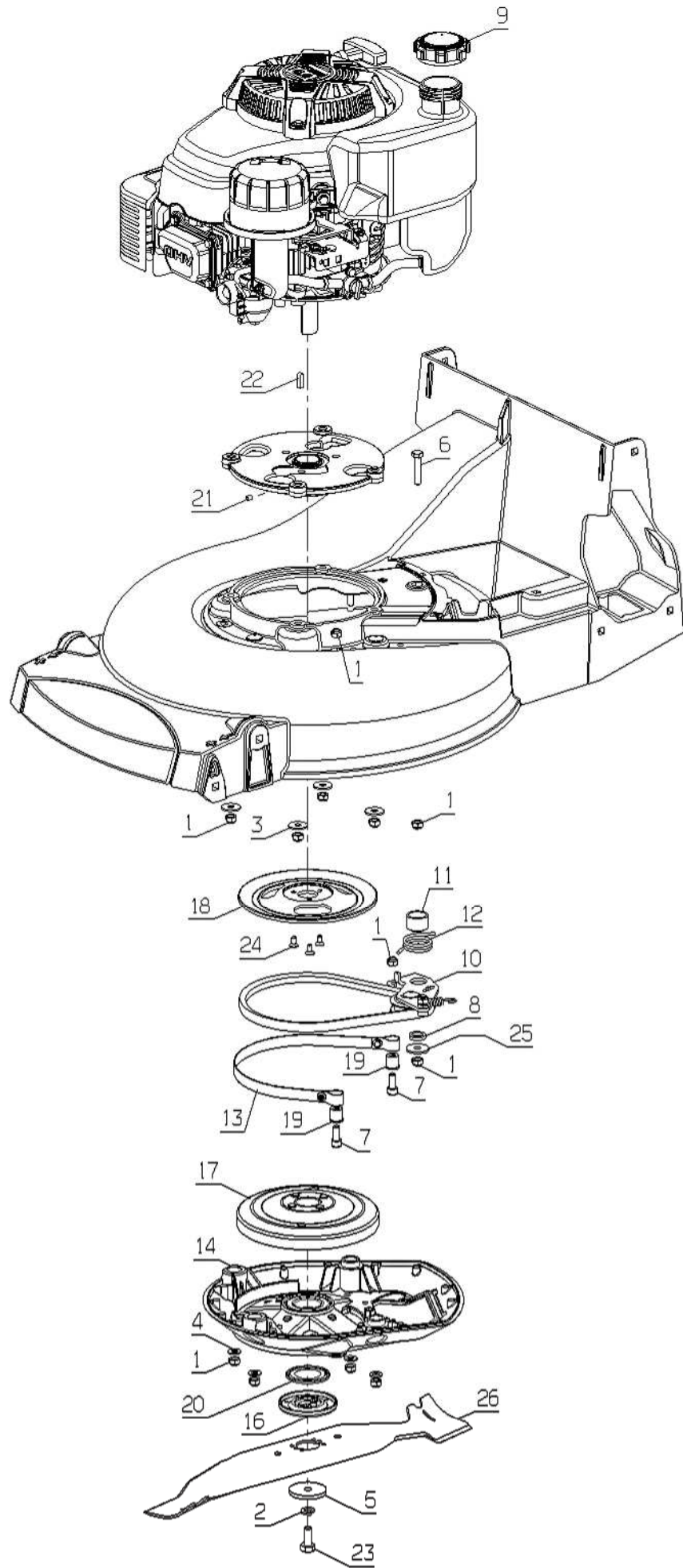
| Rep | Réf<br>ETESIA |                     |                     |                     |
|-----|---------------|---------------------|---------------------|---------------------|
| 1   | 2021          | ECR.AUTOFR.HM8 DIN  | STOPMUTTER HM 8 DIN | NUT HM8             |
| 2   | 5041          | VIS J M 8X30 DIN603 | SCHRAUBE M8X30      | BOLT 8X30           |
| 3   | 5232          | ECR.AUTOFR.HM6 DIN  | STOPMUTTER HM 6 DIN | SELF-LOCKING NUT    |
| 4   | 5496          | VIS TRCC 6X20       | SCHRAUBE M6X20      | SCREW 6X20          |
| 5   | 7038          | VIS H M 8X35 DIN933 | SECHSKANTSCHRAUBE H | SCREW,DIN933 H M 8X |
| 6   | 7335          | RDLE PL A 8,4DIN12  | SCHEIBE A 8,4       | WASHER              |
| 7   | 36248         | ANTIPERTE NOIRE     | DECKEL              | COVER               |
| 8   | 37029         | CACHE POMPE BLOCAGE | BLOCK.PUMPE VERKLDG | BLOCK.PUMP COVER    |
| 9   | 37265         | OBTURATEUR          | VERSCHLUSS PLATTE   | SEALING PLATE       |
| 10  | 37816         | CARCASSE P53 BLANCH | MÄHDECK P53 WEIS    | CUTTING DECK P53 WH |
| 11  | 40047         | POIGNEE CLAPET      | GRIFF               | GRIP                |
| 12  | 40528         | TUBE CHARNIERE DEFL | ROHR                | TUBE                |
| 13  | 40551         | TOLE BAVETTE        | LAPPEN BLECH        | FLAPPER PLATE       |
| 14  | 40578         | BAGUE CHARNIERE     | SCHARNIER RING      | HINGE RING          |
| 15  | 40589         | BAVETTE DEFLECTEUR  | DEFLEKTER LAPPEN    | DEFLECTOR FLAPPER   |
| 16  | 42059         | PLAQUE DE FIXATION  | STOSSDÄMPF.PLÄTTCH. | BUMPER PLATE        |
| 17  | 42027         | ENTRET.12X6,5X32,5  | BÜCHSE 12X6,5X32,5  | BUSH 12X6,5X32,5    |
| 18  | 42042         | PARE-CHOC           | STOSSDÄMPFER        | FRONT BUMPER        |
| 19  | 42043         | ENTRET.15X8,5X10    | BÜCHSE 15X8,5X10    | BUSH 15X8,5X10      |
| 20  | 43154         | DEFLECTEUR          | DEFLEKTOR           | DEFLECTOR           |
| 21  | 43122         | RESSORT DEFLECTEUR  | FEDER               | SPRING              |
| 22  | 43126         | RENFORT DEFLECTEUR  | DEFLEKTER VERSTÄRCK | DEFLECTOR REINFORC. |
| 23  | 71073         | ECROU AUTOFR.HM6    | STOPMUTTER HM6      | SELF LOCKING NUT    |
| 24  | 71096         | RDLE PL B 6,4       | BEILAGSCHEIBE B6,4  | WASHER B6,4         |
| 25  | 71112         | RIVET CLOUS DIAM.4X | NIETE 4X18          | DIA.4X18 STAR RIVET |
| 26  | 71279         | VIS B4.2-13 4.6     | SCHRAUB B4.2-13 4.6 | SCREW B.42-13 4.6   |
| 27  | 71299         | VIS EJPT KA 40X14   | SCHRAUBE EJPT 40X14 | SCREW EJPT KA 40X14 |
| 28  | 71342         | VIS CHC M6-45,8.8   | IMBUSSCHR.M6X45 8.8 | SCREW M6X45 8.8     |





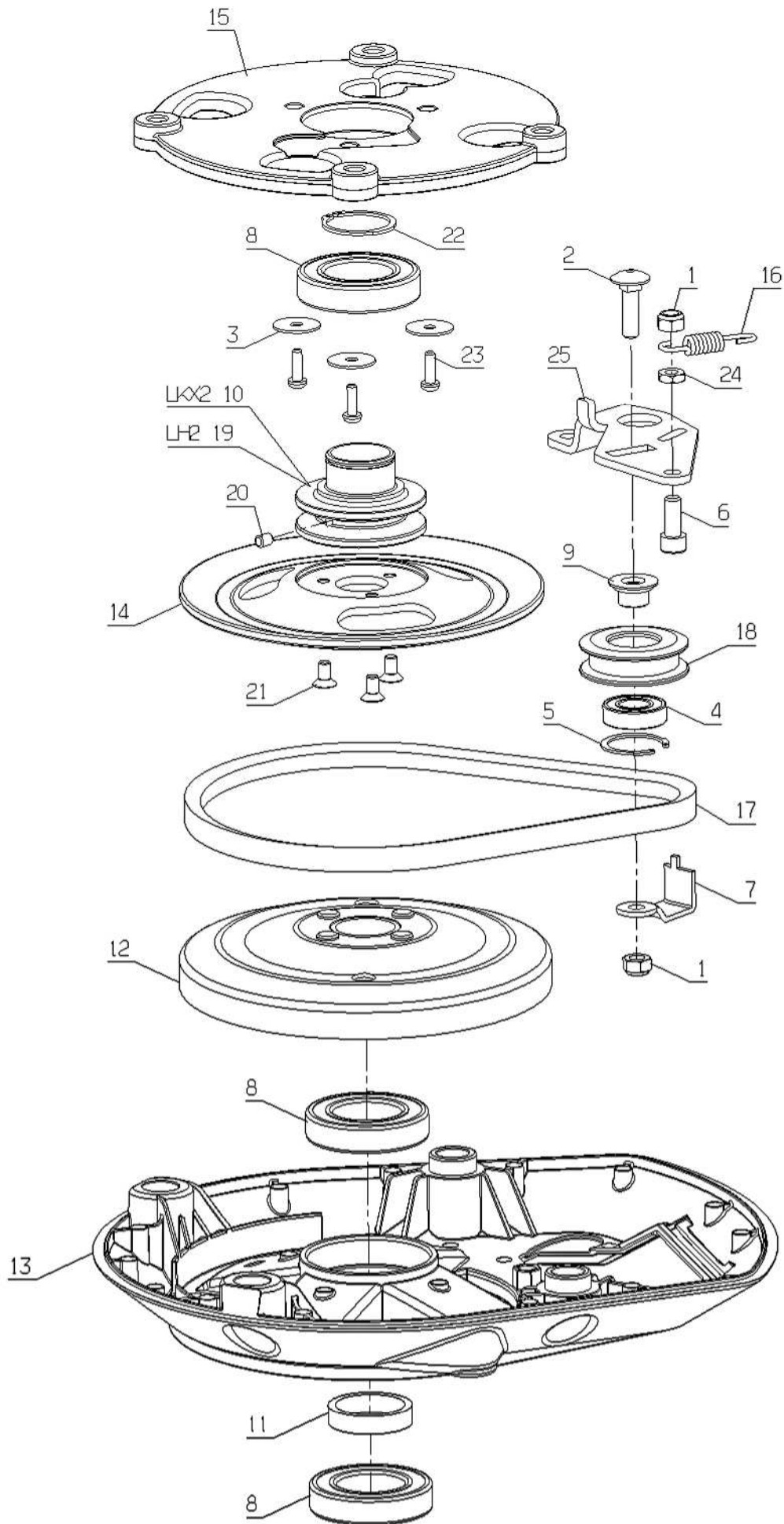
## PLO2261

| Rep | Réf<br>ETESIA |                     |                               |                       |
|-----|---------------|---------------------|-------------------------------|-----------------------|
| 1   | 5067          | RONDELLE BELLEVILLE | BELLEVILLE SCHEIBE            | WASHER BELLEVILLE     |
| 2   | 5232          | ECR.AUTOFR.HM6 DIN  | STOPMUTTER HM 6 DIN           | SELF-LOCKING NUT      |
| 3   | 5334          | VIS H M 6X16 DIN933 | SCHRAUBE HM6X16               | SCREW HM6X16          |
| 4   | 5472          | CAPUCHON DE ROUE    | RADKAPPE                      | WHEEL CAP             |
| 5   | 7914          | VIS                 | SCHRAUBE                      | SCREW                 |
| 6   | 9017          | ECR.AUTOFR.HM10 DIN | MUTTER HM10 DI                | NUT HM10              |
| 7   | 9022          | ROULEMENT A BILLES  | KUGELLAGER 6002 2RS           | BALL BEARING 6002     |
| 8   | 9071          | VIS J M 8X20 DIN603 | SCHRAUBE M8X20                | SCREW M8X20           |
| 9   | 21270         | RDLE PL B 6,4       | SCHEIBE 6,4                   | WASHER 6,4            |
| 10  | 27071         | ENJOLIVEUR POIGNEE  | ZIERLEISTE GRIFF              | HANDLE DECORATION     |
| 11  | 35778         | BUTEE GUIDON        | LENKER ANSCHLAG               | HANDLE BAR STOP       |
| 12  | 40517         | -> 35033            | -> 35033                      | -> 35033              |
| 13  | 40531         | BAGUE EPAULE HDC AV | RING                          | RING                  |
| 14  | 40585         | ENTRETOISE RLT ROUE | BÜCHSE                        | SPACER                |
| 15  | 40594         | POIGNEE GACHETTE    | GRIFF                         | GRIP                  |
| 16  | 40814         | PORTE ROUE AR.SOUDE | RAD HALTERUNG                 | WHEEL BRACKET         |
| 17  | 40827         | PORTE ROUE AVANT G. | RAD HALTERUNG VOR.L           | WHEEL BRACKET         |
| 18  | 40828         | PORTE ROUE AVANT D. | RAD HALTERUNG VOR.R           | WHEEL BRACKET         |
| 19  | 42507         | COURONNE DENTEE     | ZAHNKRANZ                     | INTERNAL GEAR         |
| 20  | 42519         | CACHE ROUE NOIR     | RAD KAPPE SCHWARZ             | WHEEL COVER BLACK     |
| 21  | 42608         | BOUCHON ROUE ARRIER | HINTERRADSTOPFEN              | REAR WHEEL PLUG       |
| 22  | 42650         | ROUE AV.CPLTE VERTE | VORDERRAD KPLT GRÜN           | FRONT WHEEL CPLT GR   |
| 23  | 42654         | ROUE AR.CPLTE VERTE | HINTERRAD KPLT GRÜN           | REAR WHEEL CPLT GR.   |
| 24  | 51789         | ENSEMBLE FREIN      | BREMSSYSTEM                   | BRAKE ASSY            |
| 25  | 51877         | PLATINE HDC ARD     | SCHNITTHÖHE PLAT. HINT.RECHTS | CUT.HEIGHT REAR RIGHT |
| 26  | 51880         | PLATINE HDC ARG     | SCHNITTHÖHE PLAT. HINT.LINKS  | CUT.HEIGHT REAR LEFT  |
| 27  | 51882         | PLATINE HDC AVANT   | SCHNITTHÖHE PLAT. VORNE       | CUT.HEIGHT FRONT      |
| 28  | 51874         | GACHETTE HDC        | SCHNITTHÖHE ABZUG             | CUT.HEIGHT TRIGGER    |
| 29  | 71044         | VIS CHC 6X20        | INNENSECHSKANTSCHRA           | CAP SCREW,DIN 912-8   |
| 30  | 71070         | VIS TRCC 8X30       | SCHRAUBE M8X30                | SCREW 8X30            |
| 31  | 71073         | ECROU AUTOFR.HM6    | STOPMUTTER HM6                | SELF LOCKING NUT      |
| 32  | 71074         | ECROU AUTOFR.HM8    | STOPMUTTER HM8                | NUT HM8               |
| 33  | 71094         | RDLE PL A 6,4       | SCHEIBE 6,4                   | WASHER 6,4            |
| 34  | 71145         | ECROU NUL 536       | MUTTER                        | NUT 536               |
| 35  | 71196         | VIS BHC 6X12 10.9   | FLÜGELSCHRAUBE 6X12           | SCREW M6X12           |
| 36  | 71232         | VIS CHC 6X12-8,8    | IMBUSSCHRAUBE M6X12           | CHC SCREW M6X12       |
| 37  | 71393         | CIRCLIP EXT.SEEGER  | SEEGERING                     | CIRCLIP               |
| 38  | 71395         | VIS JM10-80,8.8     | SCHRAUBE JM10-80              | SCREW JM10-80         |
| 39  | 71396         | CIRCLIP EXT.SEEGER  | SEEGERING                     | CIRCLIP               |
| 40  | 71397         | RESSORT DISQUE      | FEDER                         | SPRING                |
| 41  | 71456         | VIS TRCC M BX25     | SCHRAUBE M BX25               | SCREW M BX25          |



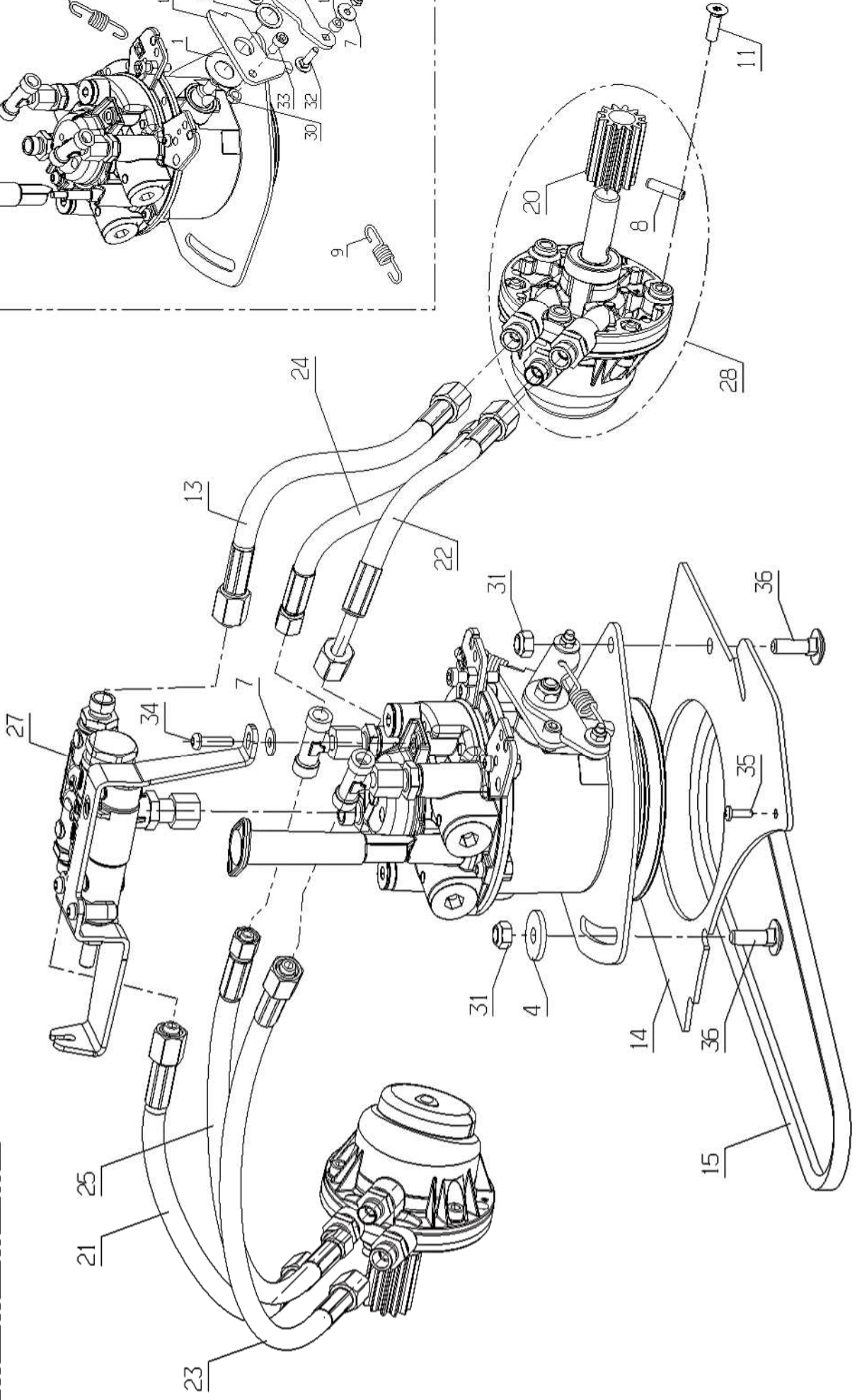
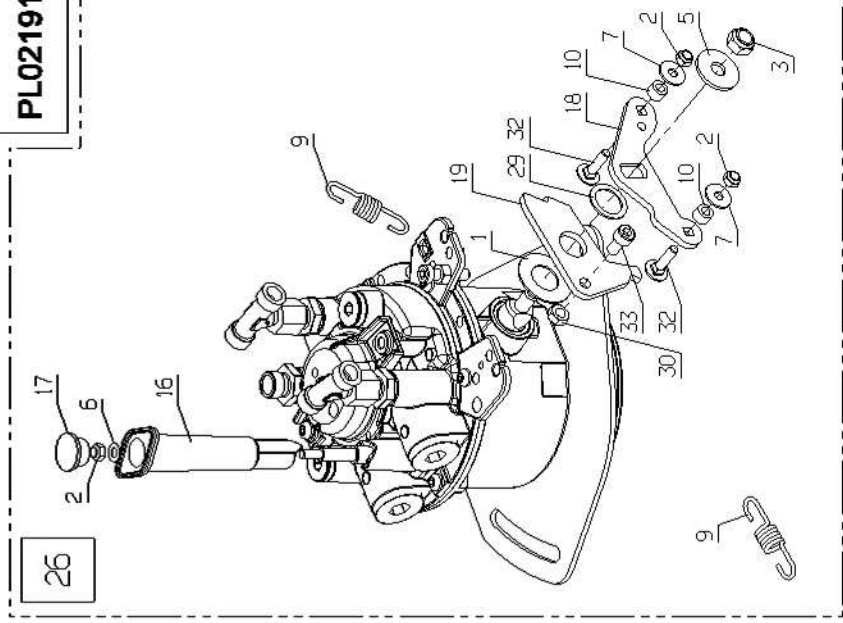
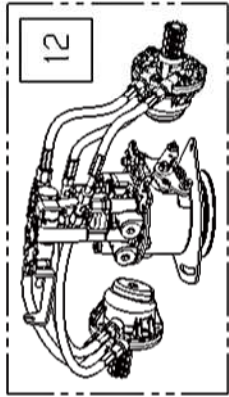
# PL02265

| Rep | Réf<br>ETESIA |                     |                     |                     |
|-----|---------------|---------------------|---------------------|---------------------|
| 1   | 2021          | RONDELLE            | SCHEIBE             | WASHER              |
| 2   | 2244          | RDLE GROWER A10     | FEDERSCHEIBE A10    | WASHER A10          |
| 3   | 7035          | RDLE PL B 8,4DIN90  | BEILAGSCHEIBE B8,4  | FLAT WASHER         |
| 4   | 7335          | RDLE PL A 8,4DIN12  | SCHEIBE A 8,4       | WASHER              |
| 5   | 7341          | RDLE PL 10,3X49X5   | SCHEIBE 10,3X49X5   | FLAT WASHER 10,3X49 |
| 6   | 21114         | VIS HM 8X40         | SCHRAUBE 8X40       | BOLT 8X40           |
| 7   | 22011         | VIS CHC M 8X20      | SCHRAUBE M 8X20     | BOLT M 8X20         |
| 8   | 24046         | PIVOT VARIATEUR     | VARIATOR DREHZAPFEN | VARIATOR PIVOT      |
| 9   | 35904         | BOUCHON COMFORT     | STOPFEN             | PLUG                |
| 10  | 36872         | ENS. TENDEUR FREIN  | BREMSSPANNER KPLT   | BRAKE TENSIONER CPL |
| 11  | 36947         | ENTRETOISE TENDEUR  | BÜCHSE              | SPACER              |
| 12  | 36948         | RESSORT TORSION     | TORSIONS FEDER      | TORSION SPRING      |
| 13  | 37895         | BANDE DE FREINAGE   | BREMSBAND           | BRAKE STRIP         |
| 14  | 39336         | ENS. PORTE LAME     | MESSER HALTERG KPLT | BLADE HOLDER CPLT   |
| 16  | 39481         | RDLE LAME           | MESSER SCHEIBE      | BLADE WASHER        |
| 17  | 39482         | DEMI POULIE RIVETEE | HALBE SCHEIBE       | HALF PULLEY         |
| 18  | 39804         | VOLANT MOTEUR       | SCHWUNGRAD          | ENGINE FLYWHEEL     |
| 19  | 40538         | PLOT BANDE FREINAGE | BREMSBANDKLOTZ      | BRAKE STRIP BLOCK   |
| 20  | 50541         | RDLE ETANCHEITE     | SCHEIBE             | WASHER              |
| 21  | 52022         | VIS                 | SCHRAUBE            | SCREW               |
| 22  | 52096         | CLAVETTE            | KEIL                | KEY                 |
| 23  | 70086         | VIS H M10X25 DIN933 | SECHSKANTSCHRAUBE H | HEXAGON SCREW,DIN 9 |
| 24  | 71021         | VIS FHC/90 M6X12    | SCHRAU.FHC/90 M6X12 | SCREW FHC/90 M6X12  |
| 25  | 71311         | RONDELLE 8X30X2,5   | SCHEIBE 8X30X2,5    | WASHER 8X30X2,5     |
| 26  | TZ53N         | LAME                | MESSER              | BLADE               |



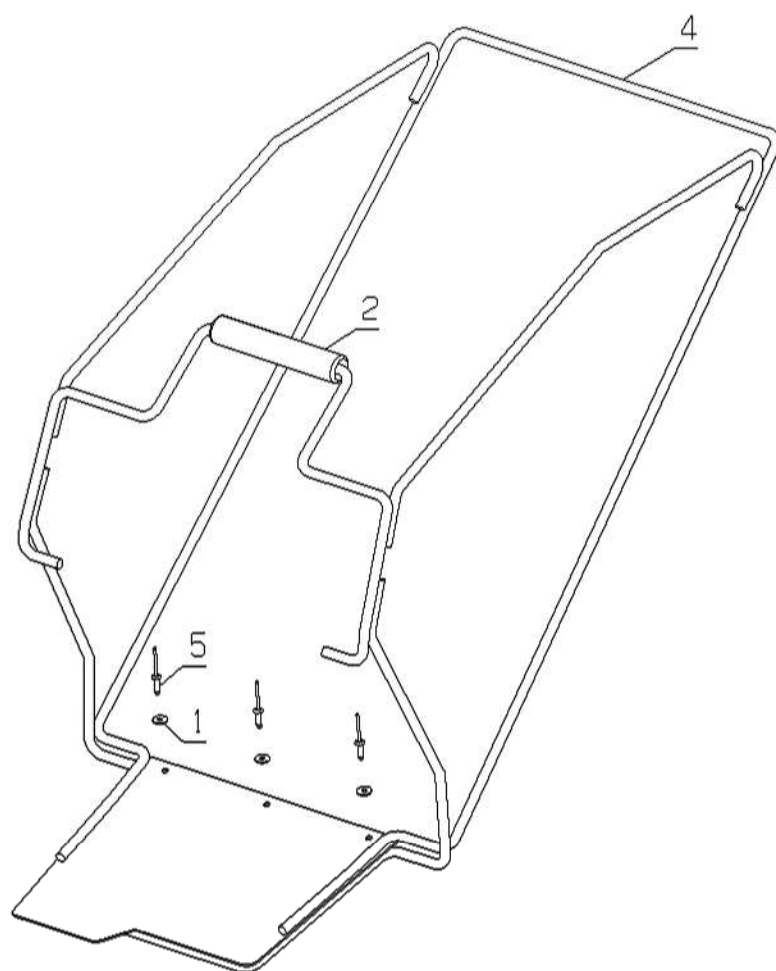
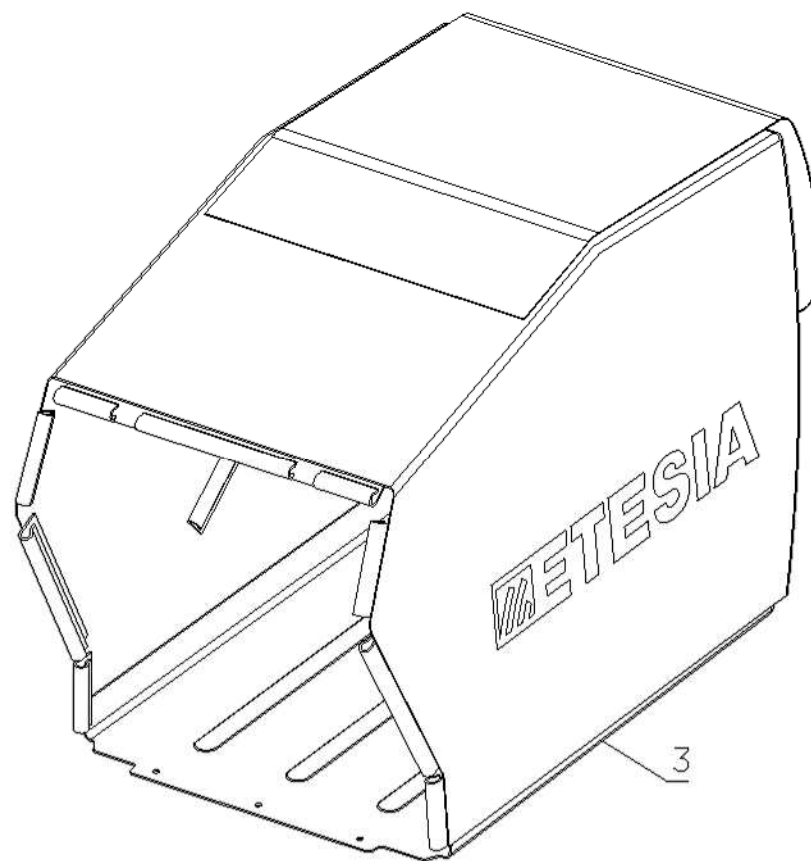
# PL02259

| Rep | Réf<br>ETESIA |                     |                     |                    |
|-----|---------------|---------------------|---------------------|--------------------|
| 1   | 2021          | ECR.AUTOFR.HM8 DIN  | STOPMUTTER HM 8 DIN | NUT HM8            |
| 2   | 5041          | VIS J M 8X30 DIN603 | SCHRAUBE M8X30      | BOLT 8X30          |
| 3   | 5604          | RONDELLE PLATE LL6N | SCHEIBE LL 6N       | WASHER             |
| 4   | 9022          | ROULEMENT A BILLES  | KUGELLAGER 6002 2RS | BALL BEARING 6002  |
| 5   | 21256         | CIRCLIPS INT.32X1,2 | SEEGERING 32X1,2    | CIRCLIP            |
| 6   | 22011         | VIS CHC M 8X20      | SCHRAUBE M 8X20     | BOLT M 8X20        |
| 7   | 24155         | BUTEE DE COURROIE   | RIEMENANSCHLAG      | BELT STOP          |
| 8   | 24832         | RLT 6007-2RS1       | KUGELLAGER 6007-2RS | BEARING 6007-2RS1  |
| 9   | 24836         | BAGUE EPAULEE       | BÜCHSE              | RING               |
| 10  | 39807         | POULIE              | SCHEIBE             | PULLEY             |
| 11  | 39480         | ENTRETOISE          | BÜCHSE              | SPACER             |
| 12  | 39482         | DEMI POULIE RIVETEE | HALBE SCHEIBE       | HALF PULLEY        |
| 13  | 39803         | PORTE LAME          | MESSER HALTERUNG    | BLADE BRACKET      |
| 14  | 39804         | VOLANT MOTEUR       | SCHWUNGRAD          | FLYWHEEL           |
| 15  | 39808         | SUPPORT MOTEUR      | MOTEUR BEFESTIGUNG  | ENGINE BRACKET     |
| 16  | 40591         | RESSORT MBK         | FEDER               | SPRING             |
| 17  | 42009         | COURR.AX25-13X8X660 | RIEMENAX25-13X8X660 | BELT AX25-13X8X660 |
| 18  | 42070         | POULIE FONTE DIA.45 | GUSSSCHEIBE DIA.45  | IRON PULLEY DIA.45 |
| 19  | 51427         | POULIE              | SCHEIBE             | PULLEY             |
| 20  | 52022         | VIS                 | SCHRAUBE            | SCREW              |
| 21  | 71021         | VIS FHC/90 M6X12    | SCHRAU.FHC/90 M6X12 | SCREW FHC/90 M6X12 |
| 22  | 71174         | CIRCL EXT.35X1,5    | SEEGERING 35X1,5    | CIRCLIP 35X1,5     |
| 23  | 71211         | VIS EJ-PT D6 50X16  | SCHRAUBE 50X16      | BOLT EJ-PT 50X16   |
| 24  | 71347         | ECROU BAS M8X1,25   | MUTTER M8X1,25      | NUT M8X1,25        |
| 25  | 37467         | PLATINE EMBR.FREIN  | KUPPLUNGS PLATTE    | CLUTCH PLATE       |



# PLO2191

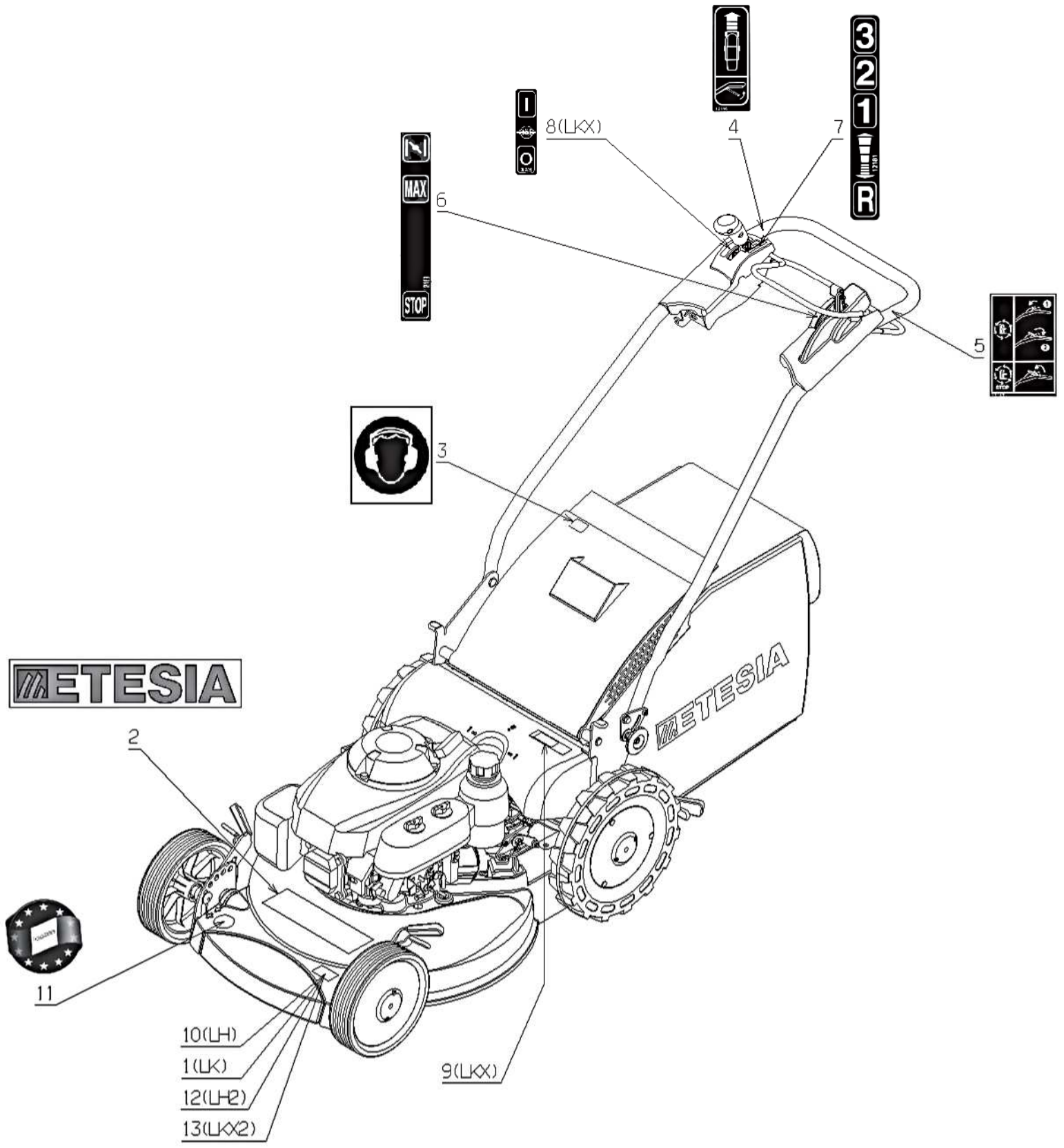
| Rep | Réf<br>ETESIA |                     |                     |                     |
|-----|---------------|---------------------|---------------------|---------------------|
| 1   | 1511          | RONDELLE            | SCHEIBE             | WASHER              |
| 2   | 1607          | ECR.AUTOFR.HM5 DIN  | STOPMUTTER HM5      | NUT                 |
| 3   | 2021          | ECR.AUTOFR.HM8 DIN  | STOPMUTTER HM 8 DIN | NUT HM8             |
| 4   | 5444          | RDLE R9 ST '9X28X3' | SCHEIBE '9X28X3'    | WASHER              |
| 5   | 7035          | RDLE PL B 8,4DIN90  | BEILAGSCHEIBE B8,4  | FLAT WASHER         |
| 6   | 20564         | RONDELLE PLATE 5,5  | SCHEIBE 5,5         | WASHER 5,5          |
| 7   | 21481         | RDLE PL A 5,3       | SCHEIBE             | WASHER              |
| 8   | 21609         | GOUPILLE SPI.5X22   | SPLINTE 5X22        | PIN 5X22            |
| 9   | 24838         | RESSORT             | FEDER               | SPRING              |
| 10  | 35511         | ENTRET.D9/D5,2X6    | BÜCHSE D9/D5,2X6    | SPACER D9/D5,2X6    |
| 11  | 36962         | VIS FX M6-20 TX30   | SCHRAUBE FX M6-20   | SCREW FX M6-20 TX30 |
| 12  | 37010         | ENS.TRANSMIS.BL.LKX | GETRIEBE LKX        | TRANSMISSION LKX    |
| 13  | 37891         | FLEXIBLE AVANT Ø.   | SCHLAUCH VORNE L.   | HOSE FRONT LEFT     |
| 14  | 37926         | TOLE SUPP.POMPE NOI | PUMPE HALTERUNG     | PUMP BRACKET        |
| 15  | 37967         | COURROIE SPZ 787    | KEILRIEMENT SPZ 787 | BELT ZPZ 787        |
| 16  | 37980         | BOUTON BY PASS      | BY PASS KNOPF       | BY PASS BUTTOM      |
| 17  | 40519         | BOUCHON             | KNOPF               | BUTTOM              |
| 18  | 40708         | LEVIER TRACTION     | ANTRIEBS HEBEL      | TRACTION LEVER      |
| 19  | 40711         | BUTEE POINT MORT    | NUL PUNKT ANSCHLAG  | DEAD POINT STOP     |
| 20  | 40722         | PIGNON CREUX        | ZAHNRAD             | GEAR                |
| 21  | 40729         | FLEXIBLE AV. GAUCHE | SCHLAUCH VORN.LINKS | HOSE                |
| 22  | 40731         | FLEXIBLE AR. GAUCHE | SCHLAUCH HINT.LINKS | HOSE                |
| 23  | 40732         | FLEXIBLE AR. DROIT  | SCHLAUCH HINT.RECHT | HOSE                |
| 24  | 40733         | FLEXIBLE DRAIN Ø.   | SCHLAUCH            | HOSE                |
| 25  | 40734         | FLEXIBLE DRAIN DR.  | SCHLAUCH            | HOSE                |
| 26  | 40988         | POMPE HYDROST.BLOC. | HYD.PUMPE DIFF.     | HYD.PUMP DIFF.      |
| 27  | 40991         | ENS. BY-PASS + DIV. | BY-PASS KPLT        | BY-PASS ASSY CPLT   |
| 28  | 40993         | MOTEUR HYDRAULIQUE  | HYD. MOTOR          | HYD. ENGINE         |
| 29  | 71016         | RDLE 16X22X1 DIN988 | SCHEIBE 16X22X1     | WASHER 16X22X1      |
| 30  | 71073         | ECROU AUTOFR.HM6    | STOPMUTTER HM6      | SELF LOCKING NUT    |
| 31  | 71074         | ECROU AUTOFR.HM8    | STOPMUTTER HM8      | NUT HM8             |
| 32  | 71183         | VIS TRCC M5X20      | SCHRAUBE M5X20      | SCREW M5X20         |
| 33  | 71232         | VIS CHC 6X12-8,8    | IMBUSSCHRAUBE M6X12 | CHC SCREW M6X12     |
| 34  | 71244         | VIS EF-PT D6 50X20  | SCHRAUBE 50X20      | BOLT EJ-PT 50X20    |
| 35  | 71279         | VIS B4.2-13 4.6     | SCHRAUB B4.2-13 4.6 | SCREW B.42-13 4.6   |
| 36  | 71456         | VIS TRCC M 8X25     | SCHRAUBE M 8X25     | SCREW M 8X25        |





## PL01276

| Rep | Réf<br>ETESIA |                     |                     |                     |
|-----|---------------|---------------------|---------------------|---------------------|
| 1   | 7094          | RDLE PL B 4,3DIN90  | BEILAGSCHEIBE B 4,3 | FLAT WASHER         |
| 2   | 24991         | ENSEMBLE POIGNEE    | VORRICHTUNG GRIFF   | GRIP ASSY           |
| 3   | 40660         | TOILE PANIER + FOND | FANGSACK            | GRASBAG             |
| 4   | 40849         | CADRE PANIER        | KORB RAHMEN         | GRASBAG FRAME       |
| 5   | 71113         | RIVET CLOUS DIAM.4X | NIETE 4X14,8 (ALU)  | NAIL RIVET, DIA. 4X |



## PL01574

| Rep | Réf<br>ETESIA |                     |                     |                     |
|-----|---------------|---------------------|---------------------|---------------------|
| 1   | 11507         | BLASON LK           | LK AUFKLEBER        | LK STICKER          |
| 2   | 12048         | AUTOCOLLANT 26*4    | AUFKLEBER           | STICKER 26*4        |
| 3   | 12136         | ETIQ.PICTOG.ANTI-B  | LÄRMSCHUTZ PIKTOGR. | SOUNDPROOF LABEL    |
| 4   | 12146         | ETIQ.AVANCE         | VORSCHUB AUFKLEBER  | ADVANCE LABEL       |
| 5   | 12163         | ETIQ.EMBR.FR.LAME   | MESS.KUPPL.AUFKLEB. | BLADE CLUTCH STICKE |
| 6   | 12169         | ETIQUETTE GAZ START | START AUFKLEBER     | START STICKER       |
| 7   | 12181         | ETIQ.VAR.MARCHE ARR | AUFKLEBER           | STICKER             |
| 8   | 38284         | ETIQ.BLOCAGE DIFF.  | AUFKLEBER           | STICKER             |
| 9   | 38334         | BLASON LKX          | AUFKLEBER LKX       | STICKER LKX         |
| 10  | 38336         | BLASON LH           | AUFKLEBER LH        | STICKER LH          |
| 11  | 38728         | ETIQ.FRANCE/EUROPE  | AUKLEBER FRANC/EURO | STICKER FRANCE/EURO |
| 12  | 12226         | BLASON LH2          | AUFKLEBER LH2       | STICKER LH2         |
| 13  | 12224         | BLASON LKX2         | AUFKLEBER LKX2      | STICKER LKX2        |