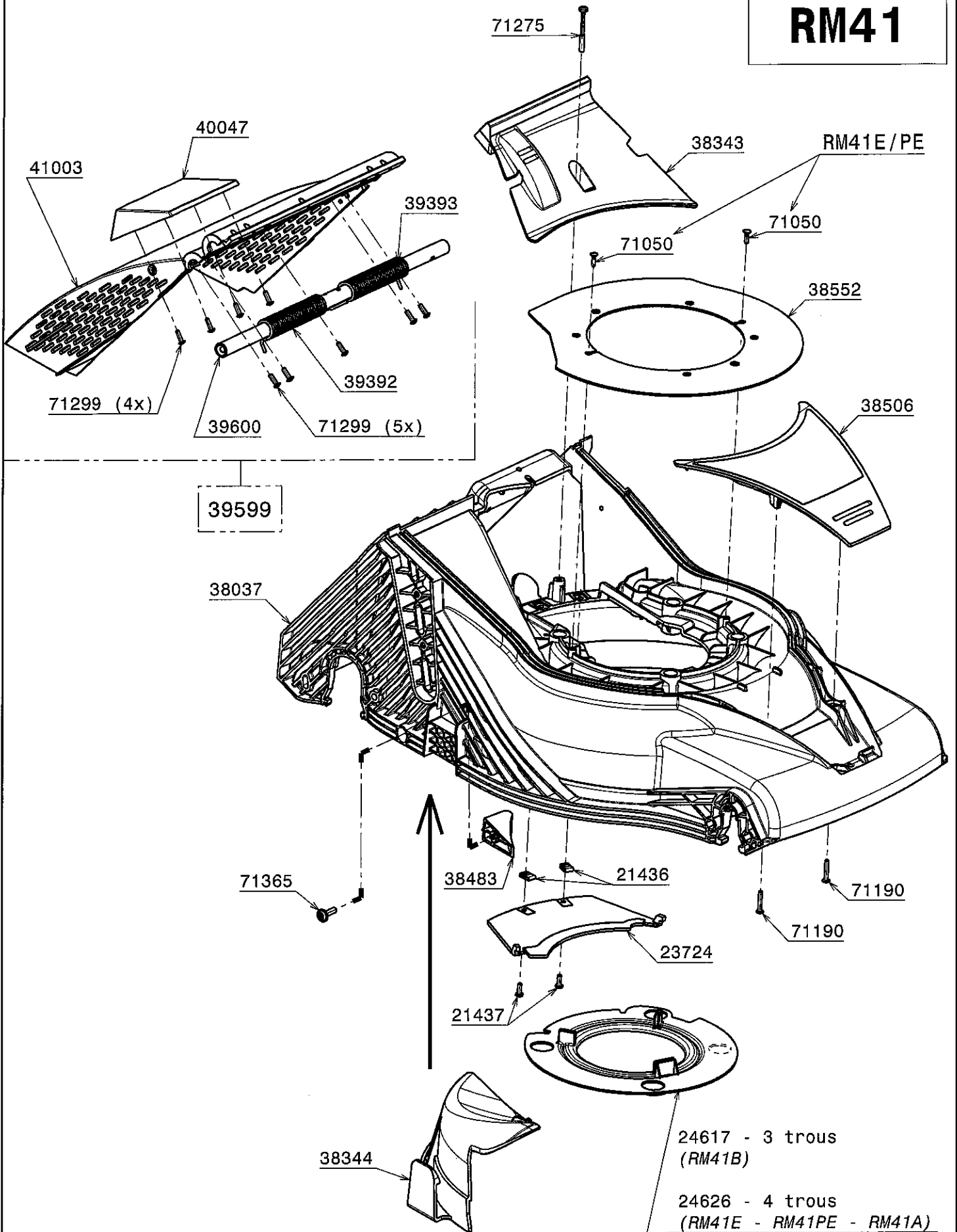
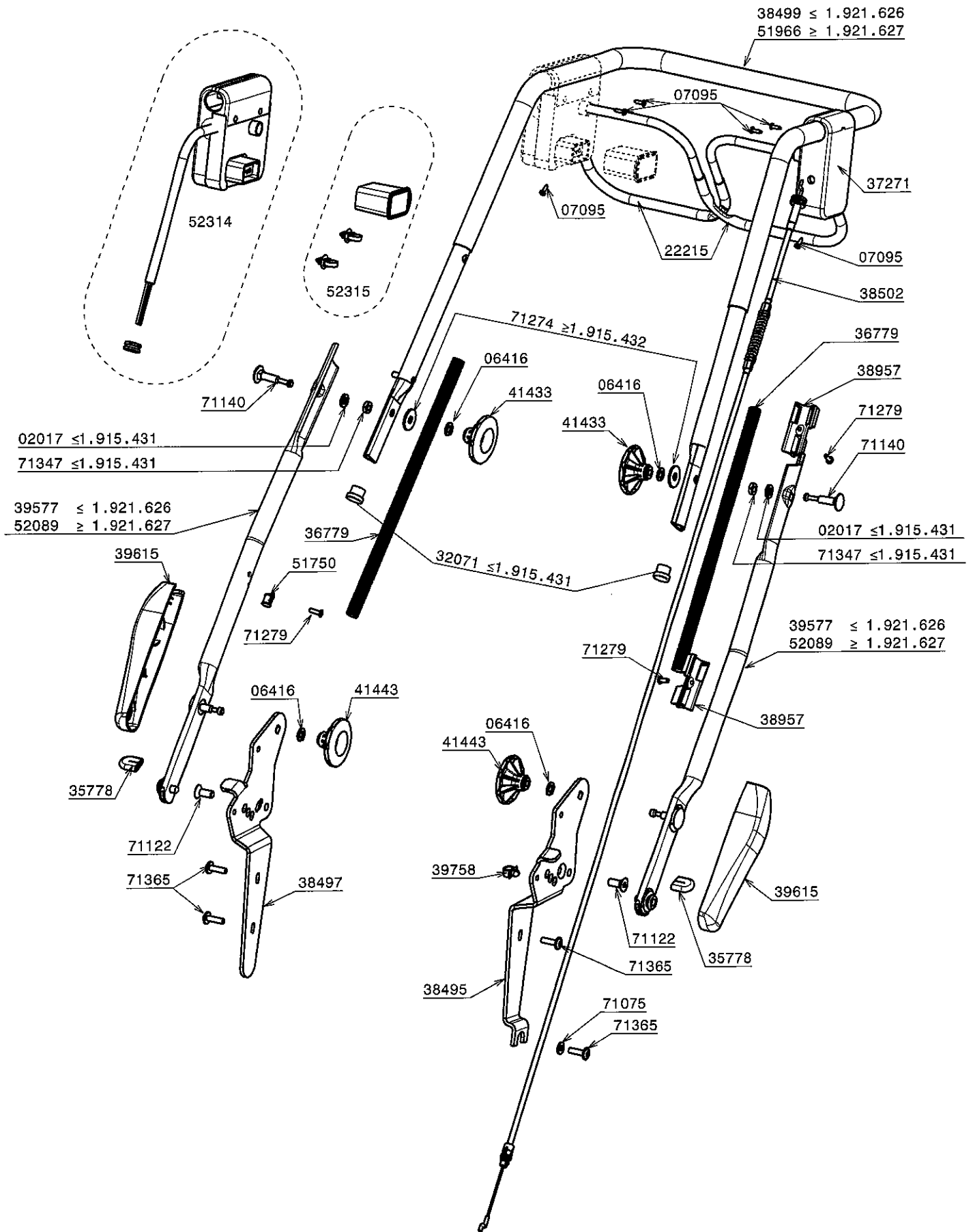


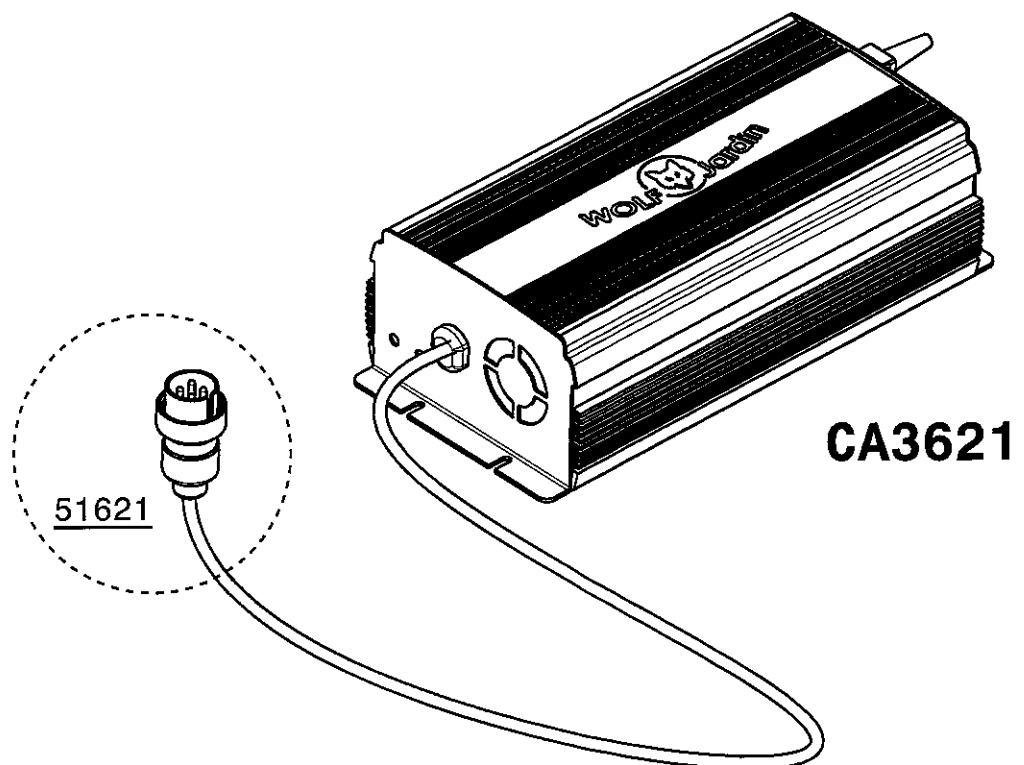
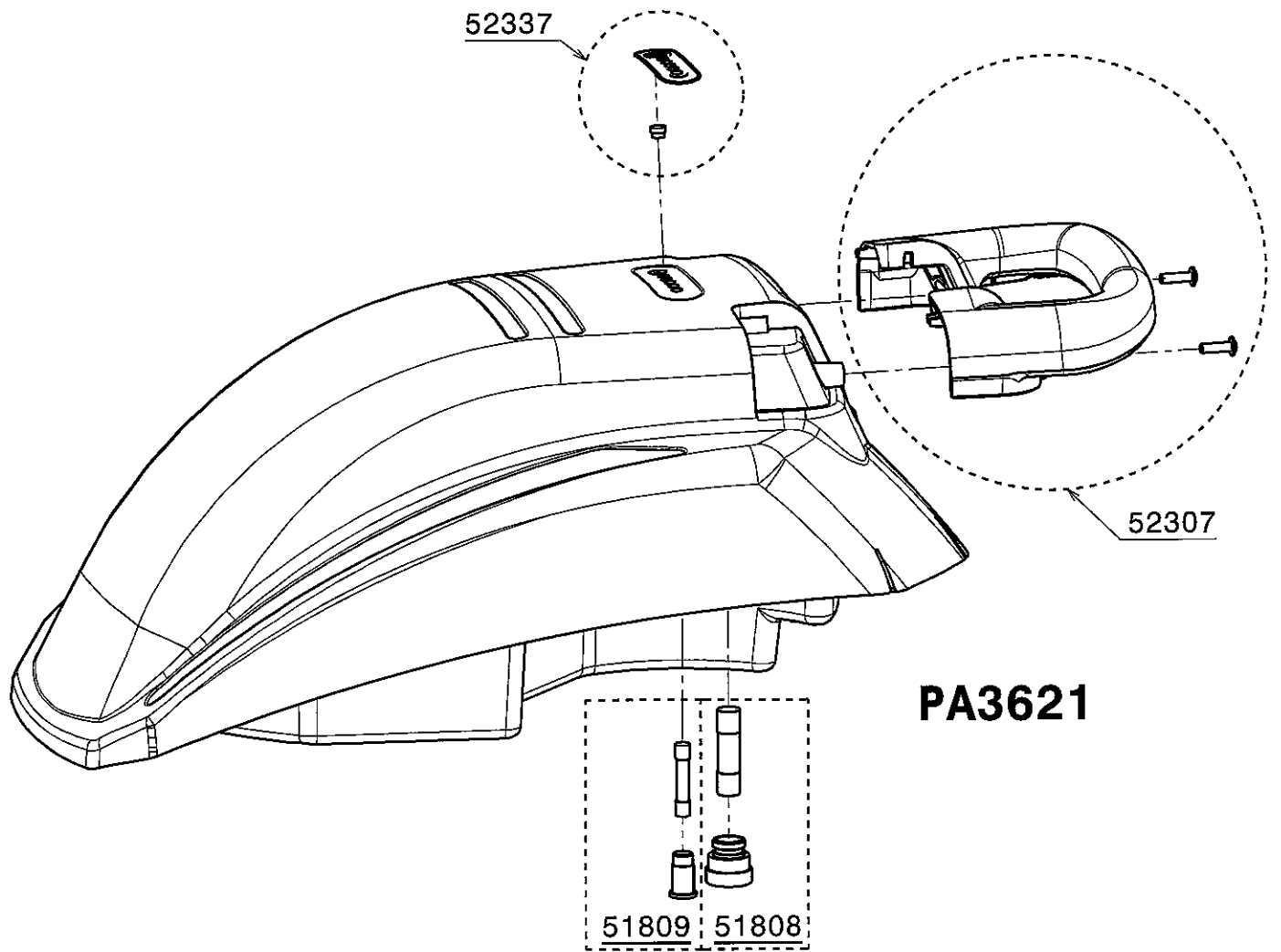
RM41



41R1/V2

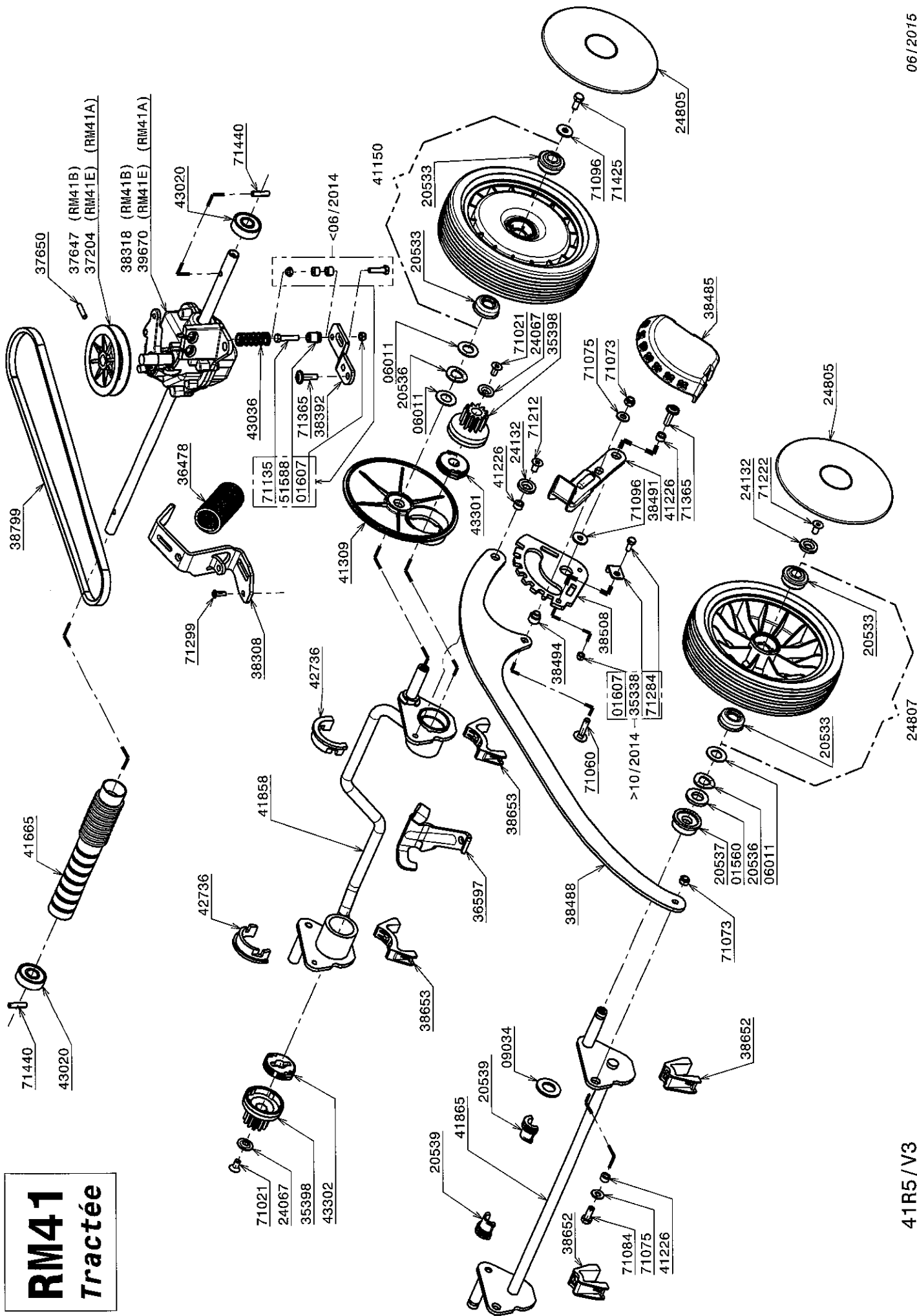
06/2015

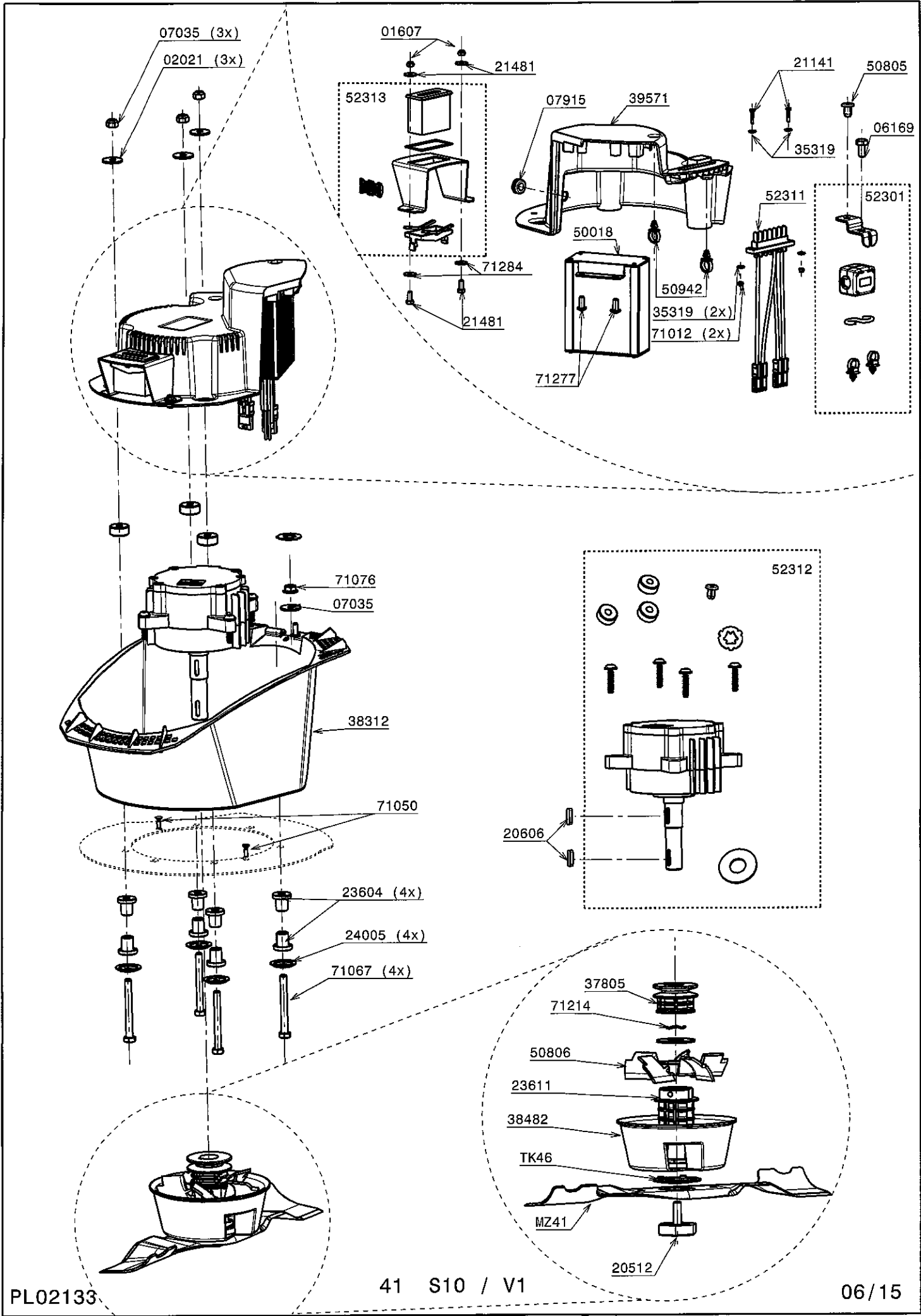




RM41

Tractée





38499 ≤ 1.921.626 RM41A
 51966 ≥ 1.921.627
 38743 ≤ 1.915.431 RM46A
 51957 ≥ 1.915.432

