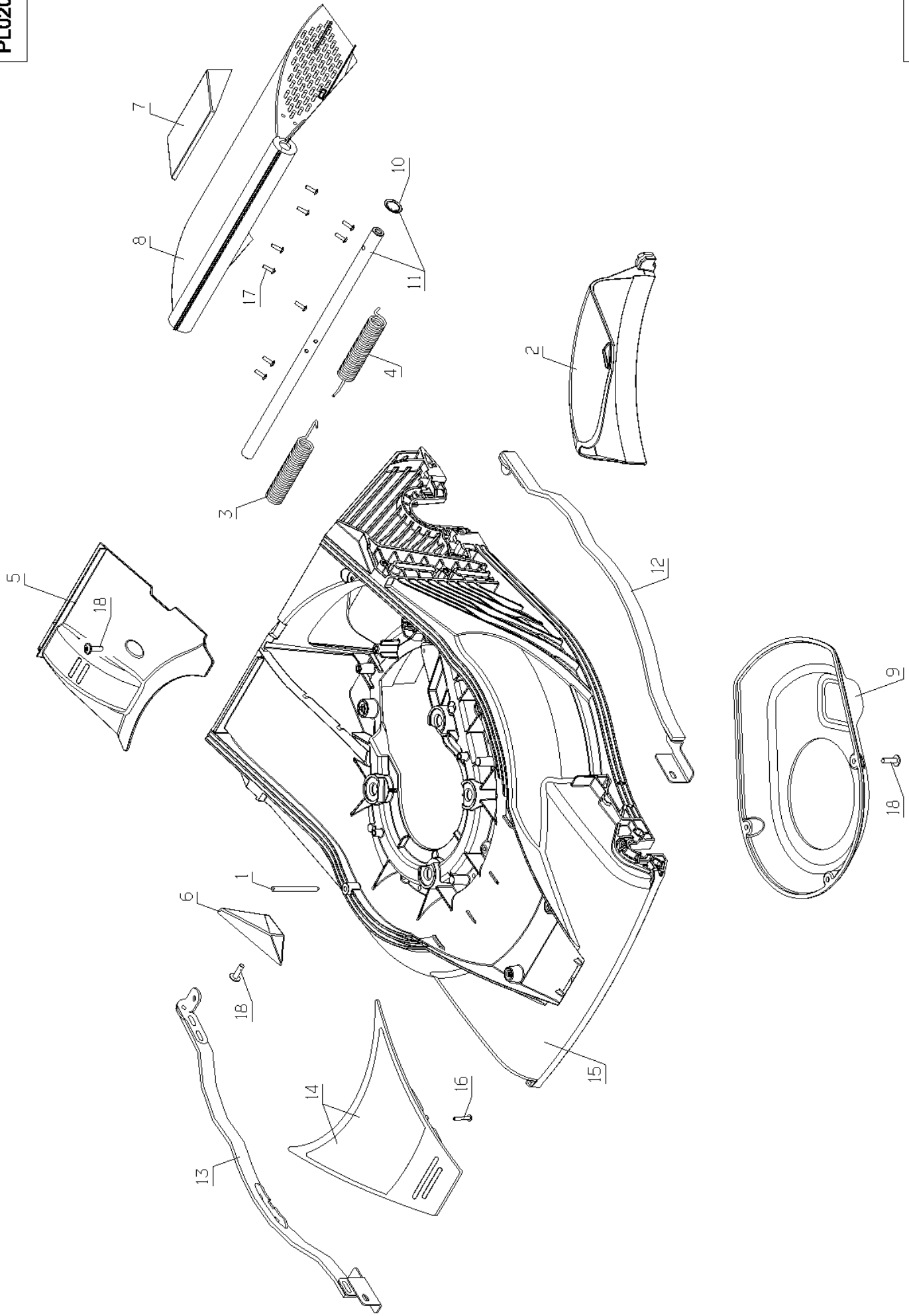


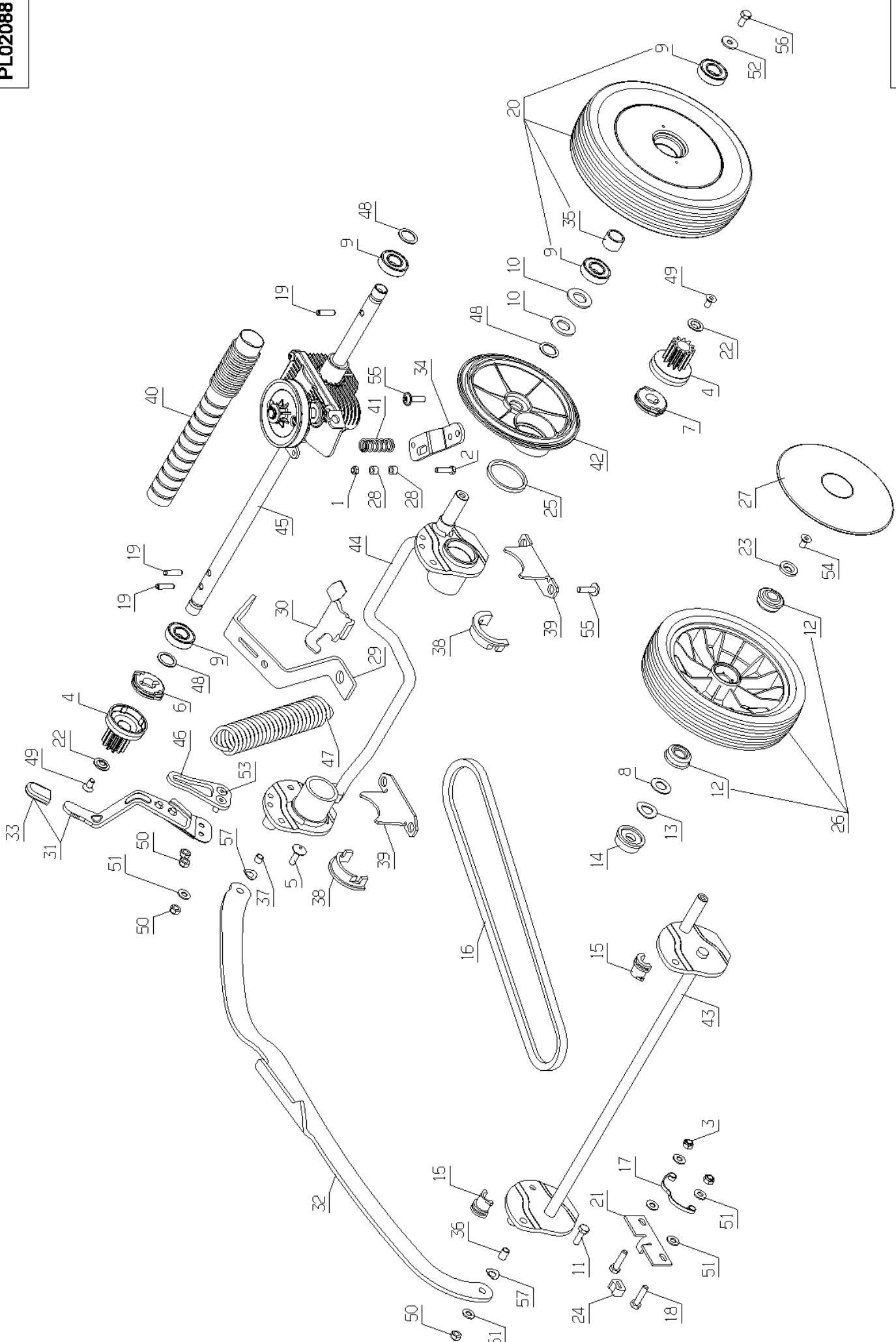
PKCTM

03/2014



PL02089

| Rep | Réf ETESIA | | | |
|-----|---------------|---------------------|-----------------------------------|-------------------|
| 1 | 35128 | INDICATEUR HDC | SCHNITTH TM HE ANZEIGE | CUT.HGT.INDICATOR |
| 2 | 36332 | OBTURATEUR | VERSCHLUSS STOPF. | |
| 3 | 39392 | RESSORT DEFLECT.DR. | FEDER | SPRING |
| 4 | 39393 | RESSORT DEFLECT.GA. | FEDER | |
| 5 | 39847 | CACHE TRANSM.RM46 | ABDECKUNG RM46 | COVER |
| 6 | 39994 | | | |
| 7 | 40047 | POIGNEE CLAPET | GRIFF | GRIP |
| 8 | 41024 | DEFLECTEUR VERT | DEFLEKTOR | DEFLECTOR |
| 9 | 43548 | CACHE MBK | VERKLEIDUNG MBK | COVER MBK |
| 10 | 50104 | | | |
| 11 | 50939 | | | |
| 12 | 51001 | | | |
| 13 | 51002 | | | |
| 14 | 51278 | | | |
| 15 | 51280 | | | |
| 16 | 71190 | | | |
| 17 | 71299 | | | |
| 18 | 71365 | | | |



PLO2088

| Rep | Réf ETESIA | | | |
|-----|---------------|---------------------|---------------------------------|---------------------|
| 1 | 1607 | ECR.AUTOFR.HM5 DIN | STOPMUTTER HM5 | NUT |
| 2 | 5071 | VIS HM 5X20 | SCHRAUBE HM5X20 | BOLT HM 5X20 |
| 3 | 5232 | ECR.AUTOFR.HM6 DIN | STOPMUTTER HM 6 DIN | SELF-LOCKING NUT |
| 4 | 5323 | PIGNON CREUX | ZAHNRAD | GEAR |
| 5 | 5496 | VIS TRCC 6X20 | SCHRAUBE M6X20 | SCREW 6X20 |
| 6 | 5733 | ROUE LIBRE DROITE | FREILAUF RECHTS | FREE WHEEL RIGHT |
| 7 | 5734 | ROUE LIBRE GAUCHE | FREILAUF LINKS | FREE WHEEL LEFT |
| 8 | 6011 | RDLE PL.12,2X23,2X1 | SCHLEIBE 12,2X23,2X1 | WASHER 12,2X23,2X1 |
| 9 | 9022 | ROULEMENT A BILLES | KUGELLAGER 6002 2RS | BALL BEARING 6002 |
| 10 | 9034 | RDLE NYLON | NYLON SCHEIBE | NYLON WASHER |
| 11 | 20507 | VIS HM 6 X 20 | SECHSKANT.HM 6X20 | BOLT HM 6X20 |
| 12 | 20533 | RLT A BILLES DIA.12 | KUGELLAGER DIAM.12 | BEARING DIAM.12 |
| 13 | 20536 | RDLE OND.B 12 | WELLENSCHEIBE B12 | CRINKLE WASHER |
| 14 | 20537 | BAGUE ROUE | RADBÄCHSE | WHEEL RING |
| 15 | 20539 | BAGUE AV. | VORDERBÄCHSE | FRONT RING |
| 16 | 20567 | COURROIE SPZ 800 | RIEMEN SPZ800 | |
| 17 | 20692 | | | |
| 18 | 20693 | VIS H M 6X25 DIN933 | SECHSKANTSCH.HM6X25 | HEX.SCREW HM6X25 |
| 19 | 21609 | GOUPILLE SPI.5X22 | SPLINTE 5X22 | PIN 5X22 |
| 20 | 23276 | ROUE NG46 TR.VERTE | GRÜNES RAD GET.GRÜN | WHEEL 46 TR GREEN |
| 21 | 24024 | TOLE D'APPUI AVANT | AUFLAGBLECH VORNE | BASE SHEET FRONT |
| 22 | 24067 | RDLE DE MAINTIEN | SCHLEIBE | WASHER |
| 23 | 24132 | RONDELLE AXE ROUE | RADACHSE SCHLEIBE | SHAFT WASHER |
| 24 | 24634 | ELEMENT ANTI-VIBRAT | SCHWINGUNGSDAEMPFER | DAMPING ELEMENT |
| 25 | 24692 | RDLE D'ETANCHEITE | DICHTUNGSSCHLEIBE | SEALING WASHER |
| 26 | 24810 | ROUE 180 RLT.VERTE | RAD 180 + LAGER | WHEEL 180 + BEARING |
| 27 | 24922 | FLASQUE ROUE 180 V. | RADFLANSCH D180 GR. | WHEEL FLASK 180 GR. |
| 28 | 35511 | ENTRET.D9/D5,2X6 | BÄCHSE D9/D5,2X6 | SPACER D9/D5,2X6 |
| 29 | 36483 | TOLE SUPPORT RESSOR | HALTERUNG | BRACKET |
| 30 | 36597 | ATTACHE RESSORT HDC | FEDER BEFESTIGUNG | SPRING FIXING |
| 31 | 37241 | ENS.COMMANDE HDC | SCH.H TM H.BEDIENUNG | CUT.HGT CONTROL |
| 32 | 37293 | BARRE LIAIS.AV/AR | VERBINDUNGSGESTÄNGE | |
| 33 | 37309 | CAPUCHON BOUT ROND | ABGER.STOPFEN | |
| 34 | 38392 | TOLE FIXAT.REDOC. | GETRIEBE BEFES. | |
| 35 | 42097 | ENTRETOISE | HÄLSE | SPACER |
| 36 | 42704 | ENTRETOISE HDC AV | VORD SCHNITT BÄCHSE | SPACER CUTTING H.FR |
| 37 | 42706 | ENTRETOISE HDC AR | HINT SCHNITT BÄCHSE | SPACER CUTTING H.R. |
| 38 | 42736 | BAGUE PONT ARRIERE | BÄCHSE | RING |
| 39 | 43021 | BRIDE POUR MANCHON | BEFESTIGUNGSFLANSCH | FIXING FLANGE |
| 40 | 43032 | TUBE PROTECT.AXE | BOLZENSCHUTZSCHLAUC | SHAFT PROTECT.HOSE |
| 41 | 43036 | RESSORT DE TENSION | RIEMENSPANUNGSFEDER | BELT TENSION SPRING |
| 42 | 43187 | CACHE ROUE ARR.TR.N | HINTERRAD VERKLEIDG | REAR WHEEL COVER TR |
| 43 | 43265 | ENSEMBLE HDC AVANT | VORNE SCHNITTH TM HE | AR.CUT.HGT |
| 44 | 43292 | HDC AR.TR. | HIN.SCHNIT.ANT. | R.CUTTING HEIGHT |
| 45 | 51212 | | | |
| 46 | 51264 | | | |
| 47 | 51312 | | | |
| 48 | 71016 | | | |
| 49 | 71021 | | | |

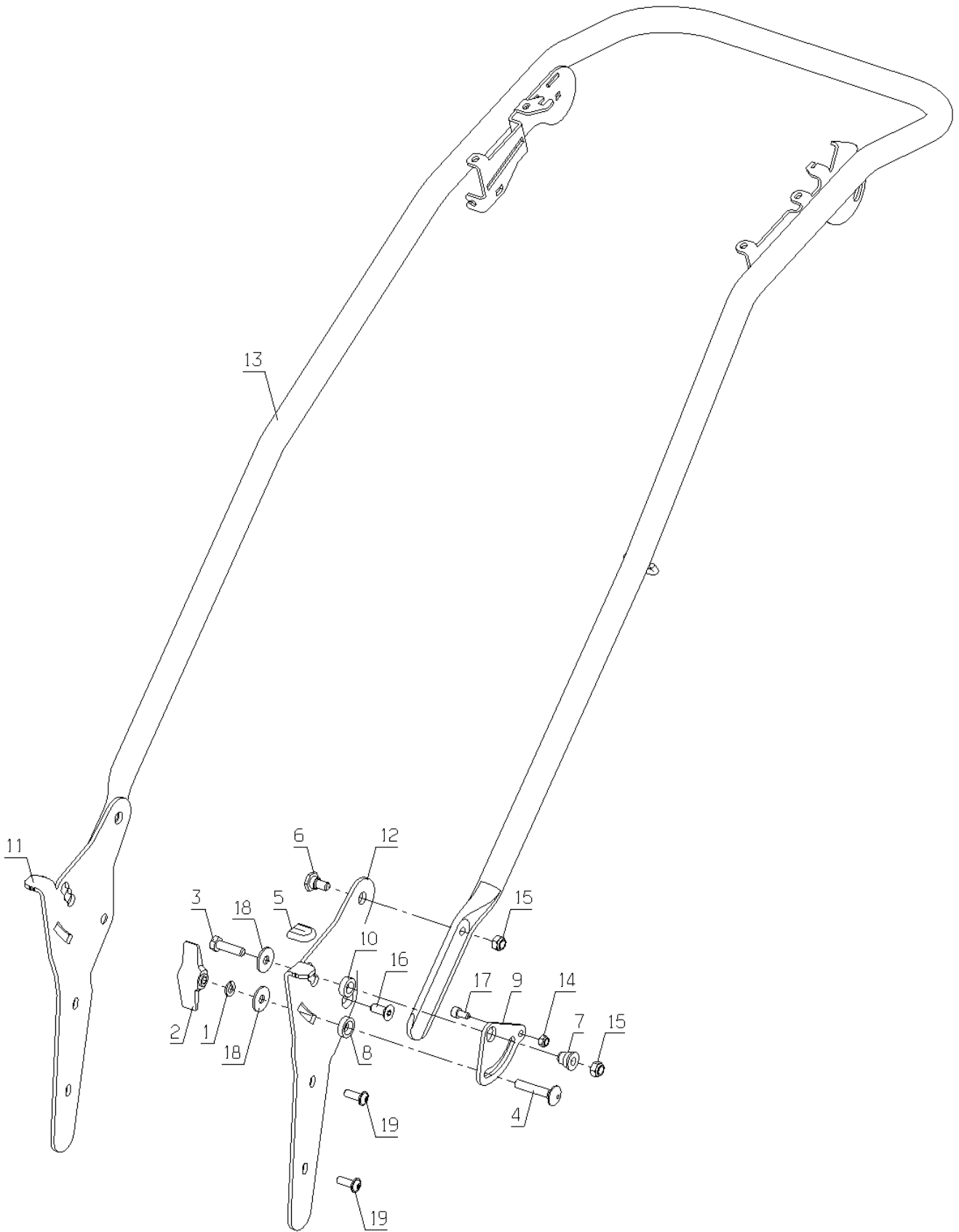
| | | | | |
|----|-------|--|--|--|
| 50 | 71073 | | | |
| 51 | 71075 | | | |
| 52 | 71096 | | | |
| 53 | 71137 | | | |
| 54 | 71222 | | | |
| 55 | 71365 | | | |
| 56 | 71425 | | | |
| 57 | 71427 | | | |



PLO2120

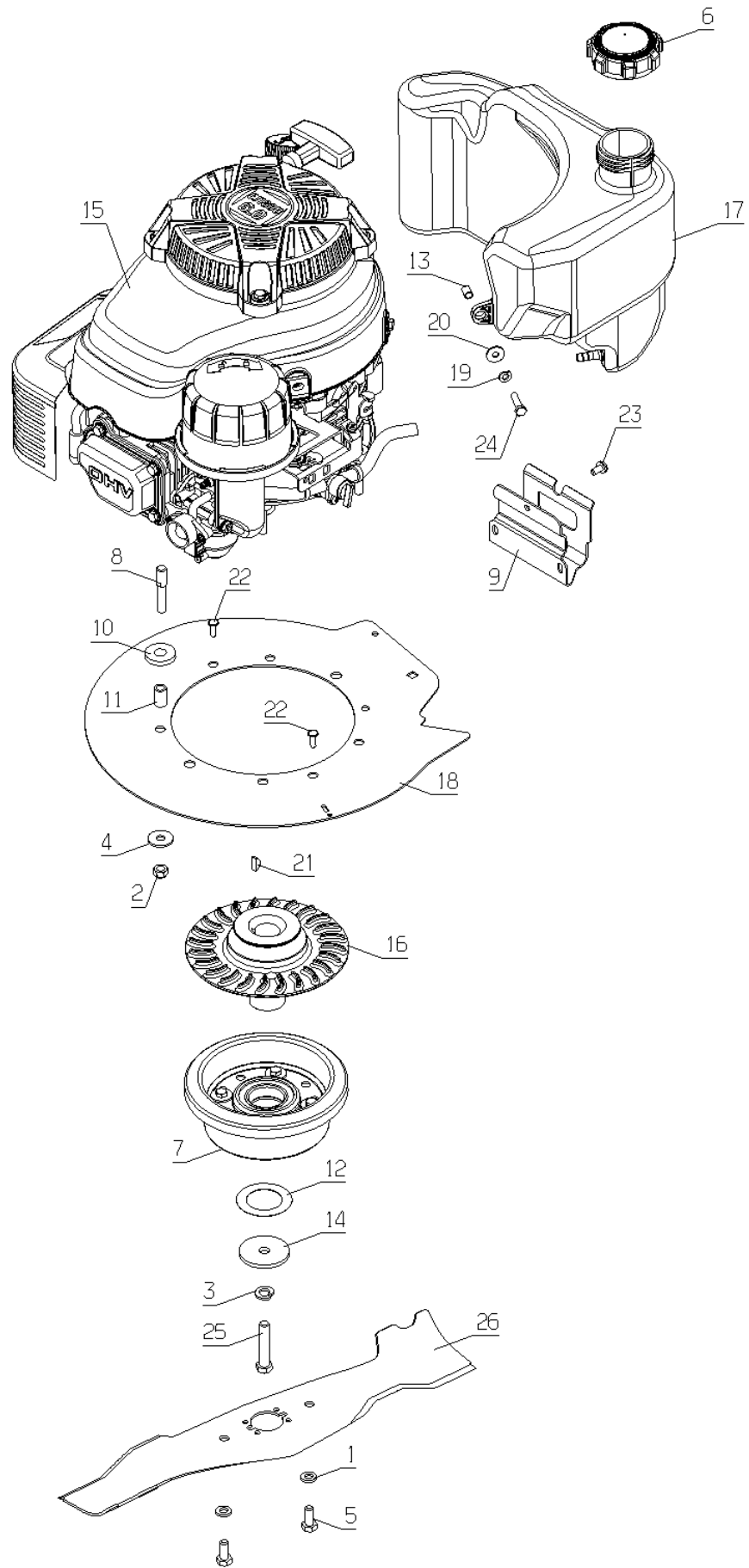
| Rep | Réf ETESIA | | | |
|-----|---------------|---------------------|-------------------|---------------------|
| 1 | 1540 | CIRCLIPS 5 | SEEGERING | CIRCLIP 5 |
| 2 | 1607 | ECR.AUTOFR.HM5 DIN | STOPMUTTER HM5 | NUT |
| 3 | 2009 | VIS M5 X 16 | SCHRAUBE M5 X 16 | BOLT M5X16 |
| 4 | 2235 | RDLE PL.A 6,4DIN12 | SCHEIBE A 6.4 | WASHER A6.4 |
| 5 | 5070 | POULIE EMBRAYAGE | KUPPLUNGSCHEIBE | CLUTCH PULLEY |
| 6 | 7377 | GRIFFAXE RENF. 8 | BOLZENCLIP | TRUARC COLLAR DIN 7 |
| 7 | 20597 | ENTRETOISE CABLE | KABELABSTABDSTÜCK | CABLE SLEEVE |
| 8 | 21481 | RDLE PL.A 5,3 | SCHEIBE | WASHER |
| 9 | 21608 | VIS JAPY M6X16 | SCHRAUBE M6X16 | SCREW 6X16 DIN |
| 10 | 23029 | BAGUE ARTICULATION | GELENKBÜCHSE | KNUCKLE RING |
| 11 | 35511 | ENTRET.D9/D5,2X6 | BÜCHSE D9/D5,2X6 | SPACER D9/D5,2X6 |
| 12 | 36465 | | | |
| 13 | 36466 | | | |
| 14 | 38176 | CABLE GAZ | GASKABEL | |
| 15 | 40509 | ENTRETOISE EPAULEE | BÜCHSE | SPACER |
| 16 | 40539 | LOQUET MBK | KLINKE | LATCH |
| 17 | 40543 | INDEXEUR GAZ | GAS INDEXIERER | THROTTLE INDEXING |
| 18 | 40545 | PIVOT | DREHPUNKT | SLIDER |
| 19 | 40549 | VERROU MBK | VERRIEGLUNG | LOCK |
| 20 | 40553 | ENTRETOISE PLATINE | PLATTE BÜCHSE | PLATE SPACER |
| 21 | 40555 | MANETTE GAZ | GAZ HEBEL | THROTTLE LEVER |
| 22 | 40563 | CACHE G.ELEM.CDE | VERKLEIDUNG | COVER |
| 23 | 40564 | CACHE D. ELEM.CDE | VERKLEIDUNG | COVER |
| 24 | 40565 | RESSORT DE TRACTION | FEDER | SPRING |
| 25 | 40568 | RESSORT ARCEAU MBK | SPRING | FEDER |
| 26 | 40569 | RESSORT VERROU MBK | FEDER | SPRING |
| 27 | 40803 | ARCEAU AVANCE | BÜGEL | BOW |
| 28 | 40810 | ARCEAU MBK | BÜGEL | BOW |
| 29 | 40821 | SUPPORT MBK | HALTERUNG | BRACKET |
| 30 | 41512 | PIGNON AVANCE | ANTRIEBSRITZEL | DRIVING PIGNON |
| 31 | 43090 | BUTÉE TENDEUR | SPANNARM ANSCHLAG | TIGHTENER ARM STOP |
| 32 | 43558 | BUTÉE REGLABLE | ANSCHLAG | STOP |
| 33 | 50783 | | | |
| 34 | 50784 | | | |
| 35 | 50831 | | | |
| 36 | 50835 | | | |
| 37 | 50841 | | | |
| 38 | 50963 | | | |
| 39 | 51221 | | | |
| 40 | 71048 | | | |
| 41 | 71073 | | | |
| 42 | 71096 | | | |
| 43 | 71135 | | | |
| 44 | 71239 | | | |
| 45 | 71299 | | | |
| 46 | 71308 | | | |
| 47 | 71407 | | | |
| 48 | 71408 | | | |
| 49 | 71409 | | | |

| | | | | |
|----|-------|--|--|--|
| 50 | 71462 | | | |
|----|-------|--|--|--|



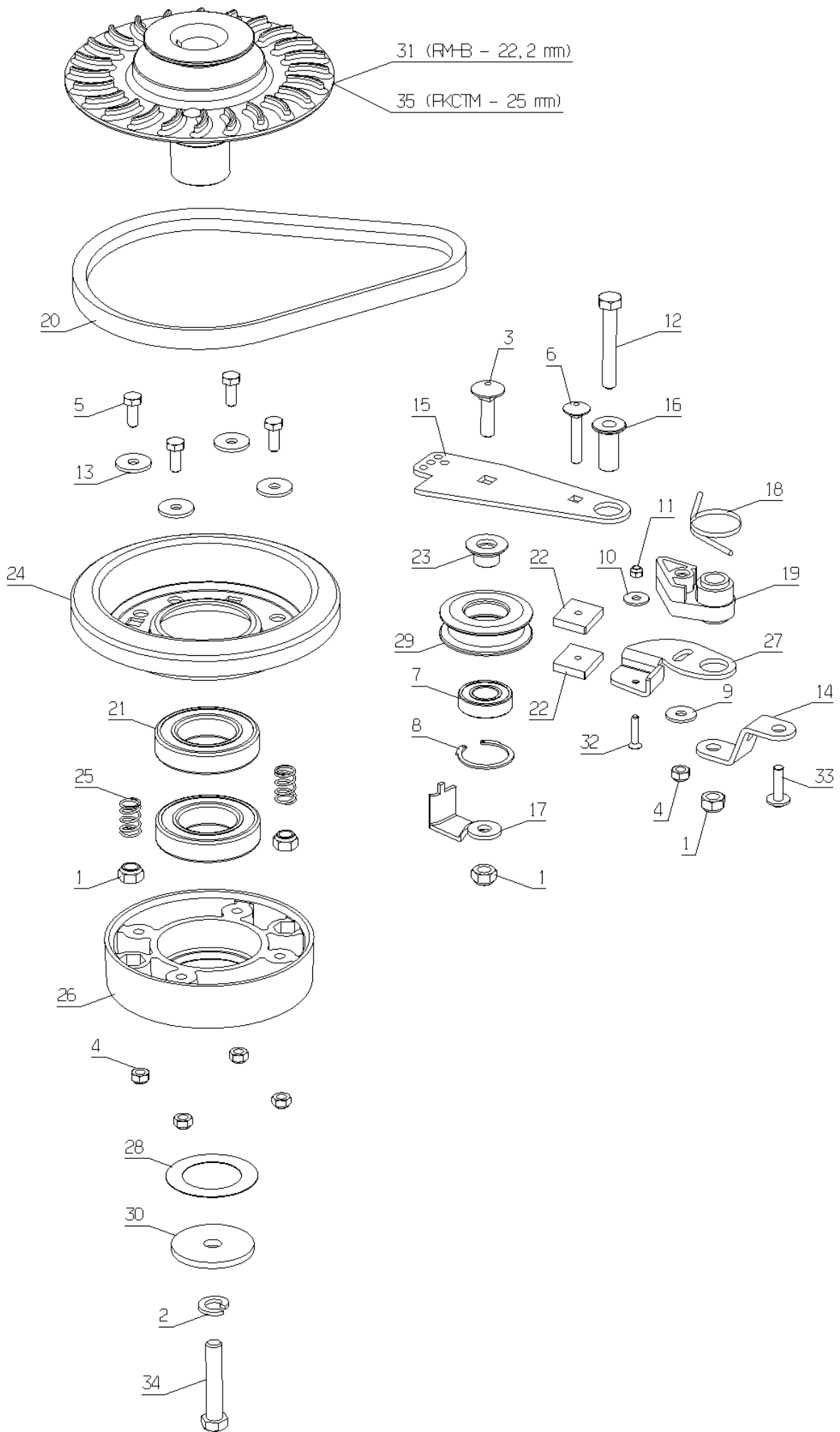
PL02119

| Rep | Réf ETESIA | | | |
|-----|---------------|---------------------|-----------------|--------------|
| 1 | 6416 | RLE GROW-DIN 128 A8 | SCHEIBE | WASHER |
| 2 | 7036 | ECROU PAPILLON M8 | FLÜGELMUTTER M8 | WING NUT M8 |
| 3 | 9061 | VIS HM 8X30 | SCHRAUBE 8X30 | BOLT 8X30 |
| 4 | 35559 | VIS JM8-45/32,8 | SCHRAUBE JM8-45 | SCREW JM8-45 |
| 5 | 35778 | BUTÉE GUIDON | LENKER ANSCHLAG | |
| 6 | 40102 | PIVOT | DREHZAPFEN | PIVOT |
| 7 | 40530 | ENTRET.ARTICULATION | BŠCHSE | SPACER |
| 8 | 40532 | ENTRET.BLOCAGE | BŠCHSE | SPACER |
| 9 | 40550 | TOLE ARTICULAT/BLOC | PLATTE | PLATE |
| 10 | 42675 | ENTRÉT.FIXAT.POULIE | BŠCHSE | SPACER |
| 11 | 50893 | | | |
| 12 | 50894 | | | |
| 13 | 51230 | | | |
| 14 | 71073 | | | |
| 15 | 71074 | | | |
| 16 | 71122 | | | |
| 17 | 71232 | | | |
| 18 | 71274 | | | |
| 19 | 71276 | | | |



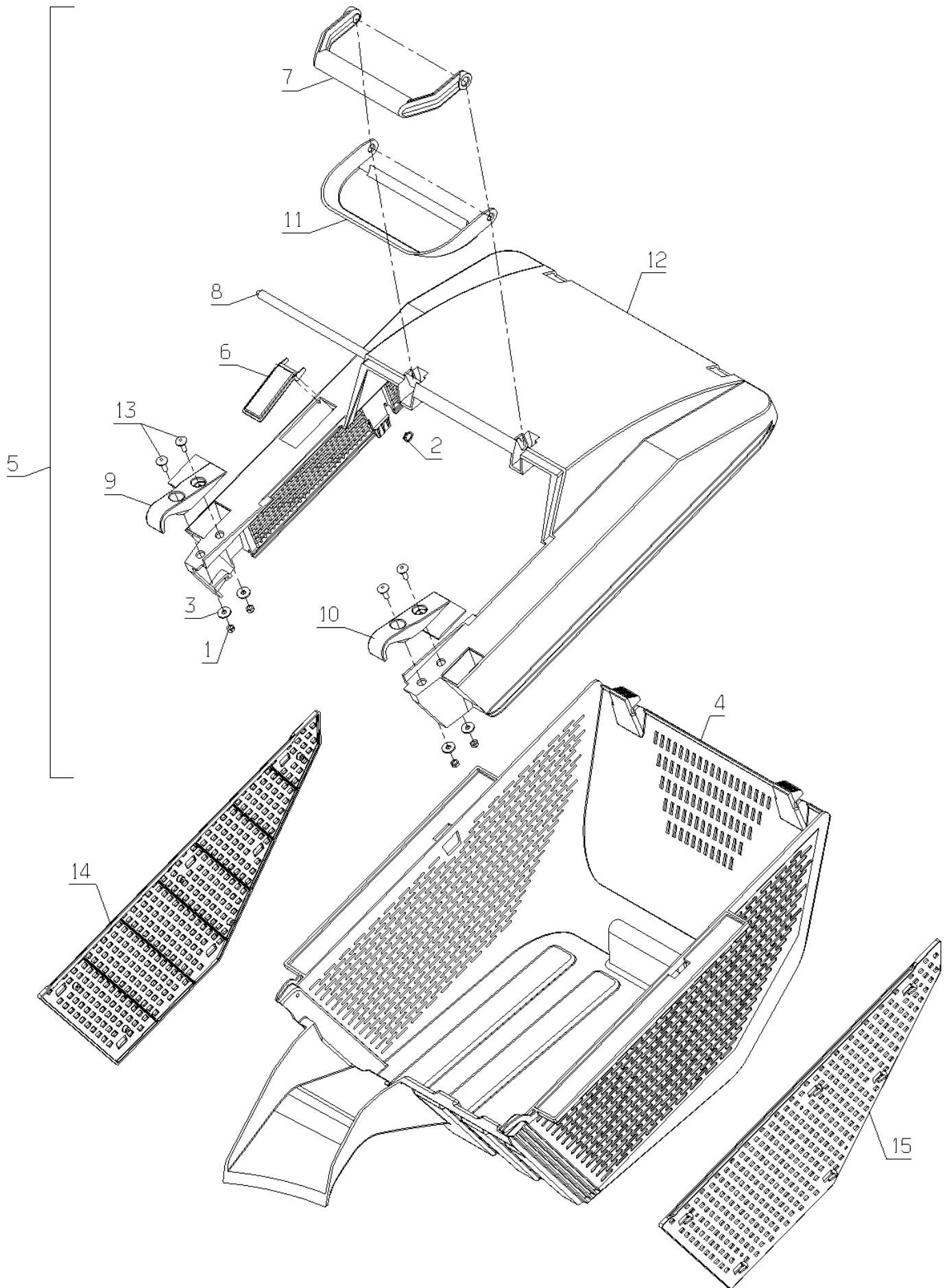
PLO2090

| Rep | Réf ETESIA | | | |
|-----|---------------|---------------------|---------------------|---------------------|
| 1 | 2017 | RDLE EVENT.A8,2 679 | FAECHERSCHEIBE A8.2 | SERRATED LOCK WASHE |
| 2 | 2021 | ECR.AUTOFR.HM8 DIN | STOPMUTTER HM 8 DIN | NUT HM8 |
| 3 | 2244 | RDLE GROWER A10 | FEDERSCHEIBE A10 | WASHER A10 |
| 4 | 7035 | RDLE PL.B 8,4DIN90 | BEILAGSCHEIBE B8,4 | FLAT WASHER |
| 5 | 7334 | VIS H M 8X20 DIN933 | SECHSKANTSCHRAUBE H | HEXAGON SCREW,DIN 9 |
| 6 | 35904 | BOUCHON COMFORT | STOPFEN | PLUG |
| 7 | 36061 | ACCOUPL.+1/2POULIE | MES.FLANS+1/2SCHEIB | BLAD.COUPL.+1/2PULL |
| 8 | 37806 | GOIJON M10X20XM8 | STIFT M10 X 20 X M8 | |
| 9 | 39661 | | | |
| 10 | 41007 | CANON ISOLANT NG41 | ISOLIERBŠCHSE | INSULATION MUFF |
| 11 | 42019 | ENTRET.12X8,2X19 | BŠCHSE 12X8,2X19 | BUSH 12X8,2X19 |
| 12 | 42068 | RDLE D54,5X35X0,5 | SCHEIBE 54,5X35X0,5 | WASHER D54,5X35X0,5 |
| 13 | 42704 | ENTRETOISE HDC AV | VORD SCHNITT BŠCHSE | SPACER CUTTING H.FR |
| 14 | 43088 | RLE PLATE 49X10,5X4 | SCHEIBE 46X10,5X4 | WASHER 49X10,5X4 |
| 15 | 43104 | | | |
| 16 | 50598 | | | |
| 17 | 50627 | | | |
| 18 | 51225 | | | |
| 19 | 71049 | | | |
| 20 | 71096 | | | |
| 21 | 71127 | | | |
| 22 | 71206 | | | |
| 23 | 71271 | | | |
| 24 | 71330 | | | |
| 25 | 71449 | | | |
| 26 | MZ46E | LAME POUR RM46 | MESSER SUR RM46 | BLADE FOR RM46 |



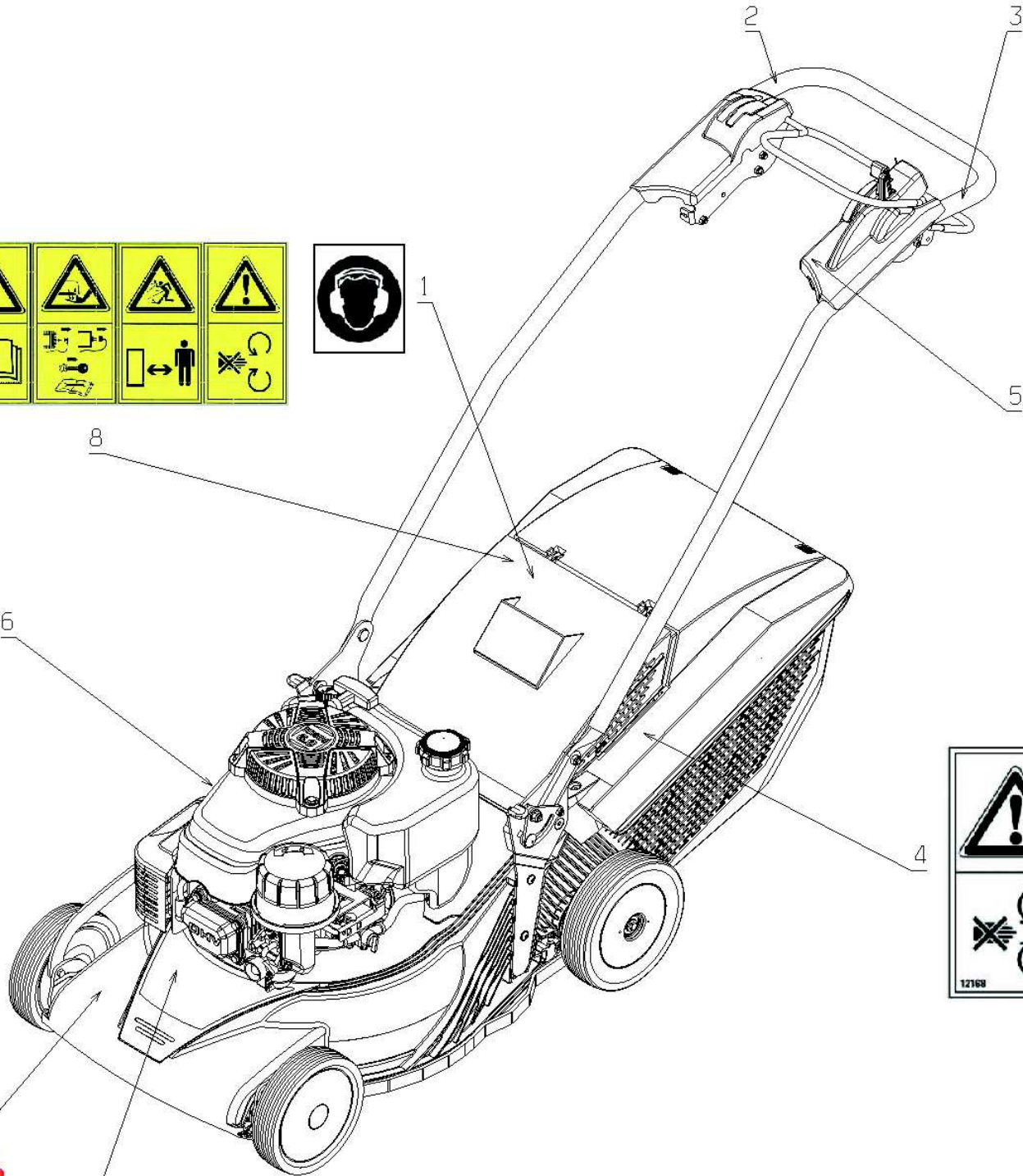
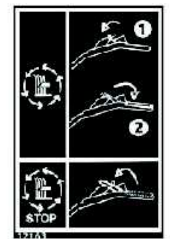
PL02059

| Rep | Réf ETESIA | | | |
|-----|---------------|---------------------|---------------------|---------------------|
| 1 | 2021 | ECR.AUTOFR.HM8 DIN | STOPMUTTER HM 8 DIN | NUT HM8 |
| 2 | 2244 | RDLE GROWER A10 | FEDERSCHEIBE A10 | WASHER A10 |
| 3 | 5041 | VIS J M 8X30 DIN603 | SCHRAUBE M8X30 | BOLT 8X30 |
| 4 | 5232 | ECR.AUTOFR.HM6 DIN | STOPMUTTER HM 6 DIN | SELF-LOCKING NUT |
| 5 | 5334 | VIS H M 6X16 DIN933 | SCHRAUBE HM6X16 | SCREW HM6X16 |
| 6 | 5608 | VIS TRCC 6X35 | SCHRAUBE 6X35 | SCREW 6X35 |
| 7 | 9022 | ROULEMENT A BILLES | KUGELLAGER 6002 2RS | BALL BEARING 6002 |
| 8 | 21256 | CIRCLIPS INT.32X1,2 | SEEGERING 32X1,2 | CIRCLIP |
| 9 | 21270 | RDLE PL.B 6,4 | SCHEIBE 6,4 | WASHER 6,4 |
| 10 | 21481 | RDLE PL.A 5,3 | SCHEIBE | WASHER |
| 11 | 21525 | ECR.AUTOFR.HM4 DIN | STOPMUTTER HM4 | NUT HM4 |
| 12 | 21687 | VIS H M 8X55 DIN933 | SECHSKANTSCHRAUBE H | HEXAGON SCREW,DIN 9 |
| 13 | 22029 | RDLE PL.B 6,5DIN69 | BEILAGSCHEIBE B 6,5 | FLAT WASHER 6,5 |
| 14 | 24150 | PATTE DE RENFORT | VERSTÄRK.PLÄTTCHEN | RENF. PLATE |
| 15 | 24151 | PLATINE D'EMBRAYAGE | KUPPLUNGSPATE | CLUTCH PLATE |
| 16 | 24152 | MANCHON EPAULE | MUFFE | SLEEVE TUBE |
| 17 | 24155 | BUTEE DE COURROIE | RIEMENANSCHLAG | BELT STOP |
| 18 | 24822 | RESSORT | FEDER | SPRING |
| 19 | 24824 | PALIER | LAGER | BEARING |
| 20 | 24825 | COURROIE - 13X560 | RIEMEN 13X560 | BELT 13X560 |
| 21 | 24832 | RLT 6007-2RS1 | KUGELLAGER 6007-2RS | BEARING 6007-2RS1 |
| 22 | 24835 | PLAQUETTE DE FREIN | BREMSBELAG | BRAKE PAD |
| 23 | 24836 | BAGUE EPAULEE | BÜCHSE | RING |
| 24 | 36034 | | | |
| 25 | 40173 | RESSORT DE REGLAGE | EINTEL. FEDER | ADJUST - SPRING. |
| 26 | 42007 | ACCOUPLMENT LAME | MESSERFLANSCH | BLADE COUPLING |
| 27 | 42051 | PLATINE DE FREIN | BREMSPLATTE | BRAKE PLATE |
| 28 | 42068 | RDLE D54,5X35X0,5 | SCHEIBE 54,5X35X0,5 | WASHER D54,5X35X0,5 |
| 29 | 42070 | POULIE FONTE DIA.45 | GUSSSCHEIBE DIA.45 | IRON PULLEY DIA.45 |
| 30 | 43088 | RLE PLATE 49X10,5X4 | SCHEIBE 46X10,5X4 | WASHER 49X10,5X4 |
| 31 | 50456 | | | |
| 32 | 71268 | | | |
| 33 | 71365 | | | |
| 34 | 71449 | | | |
| 35 | 50598 | | | |



PL02013

| Rep | Réf ETESIA | F | D | E |
|-----|---------------|---------------------|-------------------|---------------------|
| 1 | 1607 | ECR.AUTOFR.HM5 DIN | STOPMUTTER HM5 | NUT |
| 2 | 20559 | CIRCLIPS 10 | SEEGERING | CIRCLIPS 10 |
| 3 | 21481 | RDLE PL.A 5,3 | SCHEIBE | WASHER |
| 4 | 39944 | | | |
| 5 | 39945 | | | |
| 6 | 41608 | TEMOIN DE REMPL.V | FŠLLANZEIGER | INDICATOR FILLING |
| 7 | 41655 | POIGNEE PANIER NOIR | KORBSGRIFF | GRASSBOX GRIP |
| 8 | 41657 | AXE POIGNEE | GESTŽNGE | ROD |
| 9 | 41658 | CROCHET PANIER DR | KORBHAKEN RECHTS | GRASSBOX HOOK RIGHT |
| 10 | 41659 | CROCHET PANIER GA | KORBHAKEN LINKS | GRASSBOX HOOK LEFT |
| 11 | 41660 | PROTECTION POIGNEE | GRIFF SCHUTZ | GRIP PROTECTION |
| 12 | 41662 | PANIER PARTIE SUP.V | OBERER KORB | UPPER BOX |
| 13 | 71233 | VIS JM 5X16 DIN 603 | SCHRAUBE JM 5X16 | SCREW JM 5X16 |
| 14 | 39556 | GRILLE PANIER DROIT | R.FANGKORB GITTER | R.GRASSBOX GRID |
| 15 | 39557 | GRILLE PANIER GAUCH | L.FANGKORB GITTER | |



PKCTM

PLO2114

| Rep | Réf ETESIA | | | |
|-----|---------------|---------------------|----------------------|------------------|
| 1 | 12136 | ETIQ.PICTO6.ANTI-B | LÄRMSCHUTZ PIKTOGR. | SOUNDPROOF LABEL |
| 2 | 12146 | ETIQ.AVANCE | VORSCHUB AUFKLEBER | ADVANCE LABEL |
| 3 | 12163 | ETIQ.EMBR.FR.LAME | MESS.KUPPL.AUFKLEB. | |
| 4 | 12168 | | | |
| 5 | 12169 | ETIQUETTE GAZ START | START AUFKLEBER | |
| 6 | 37247 | ETIQUETTE HDC RM46 | AUFKLEBER RM46 | |
| 7 | 38728 | ETIQ.FRANCE/EUROPE | AUFKLEBER FRANC/EURO | |
| 8 | 39998 | | | |
| 9 | 51521 | | | |