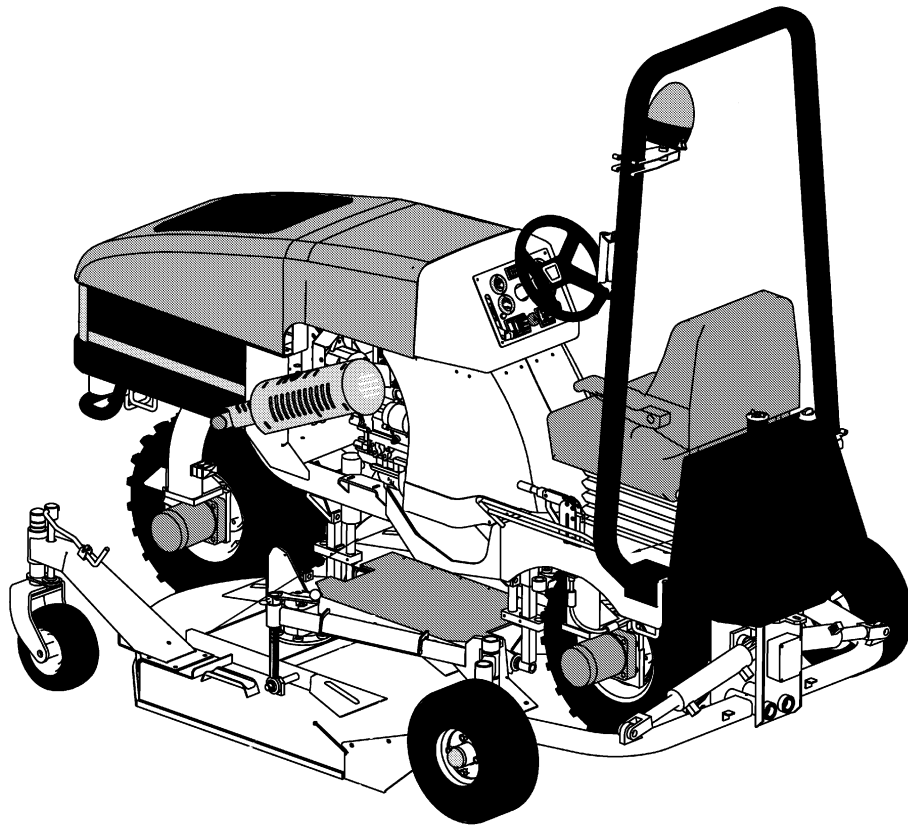
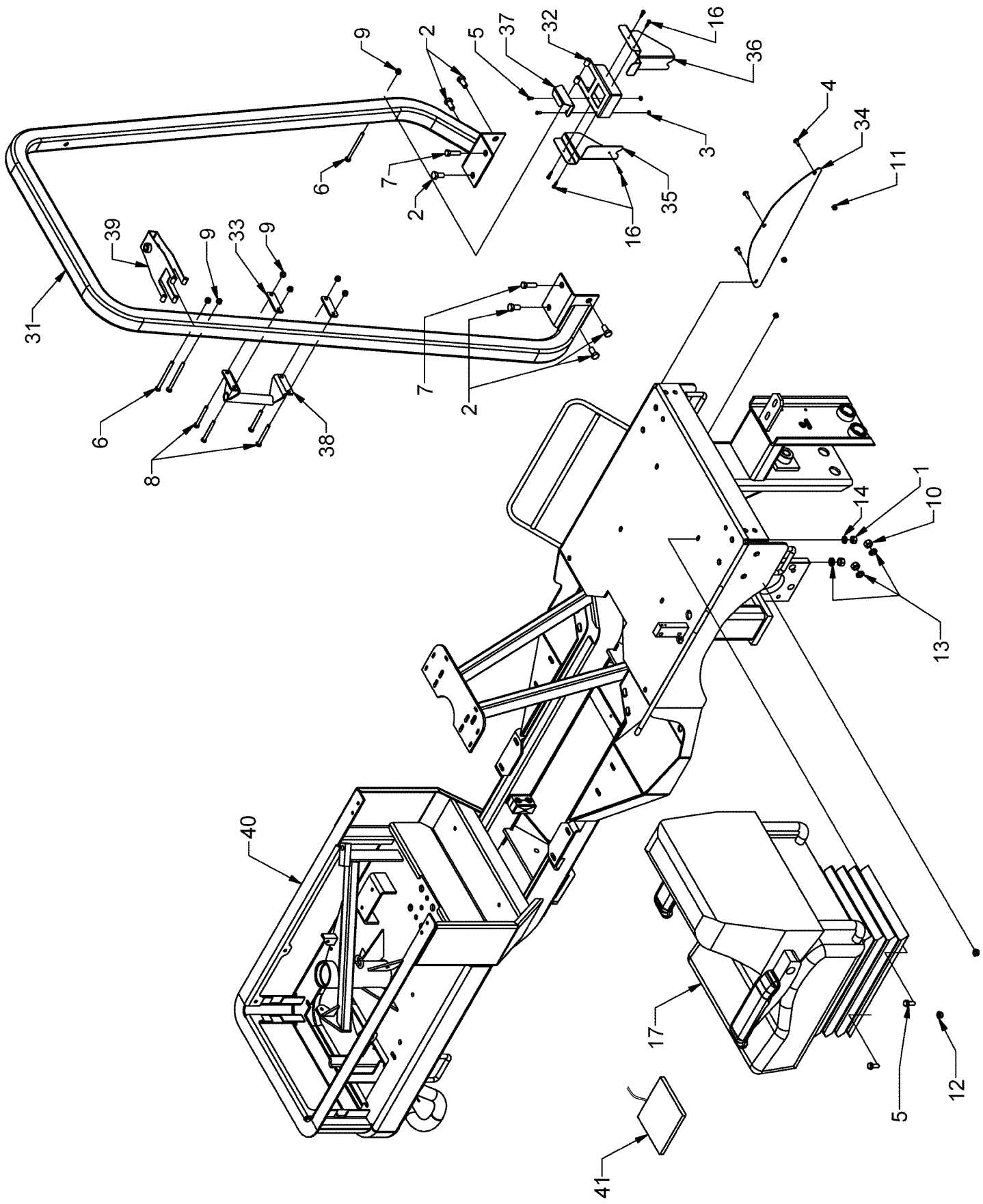
 **ETESIA**

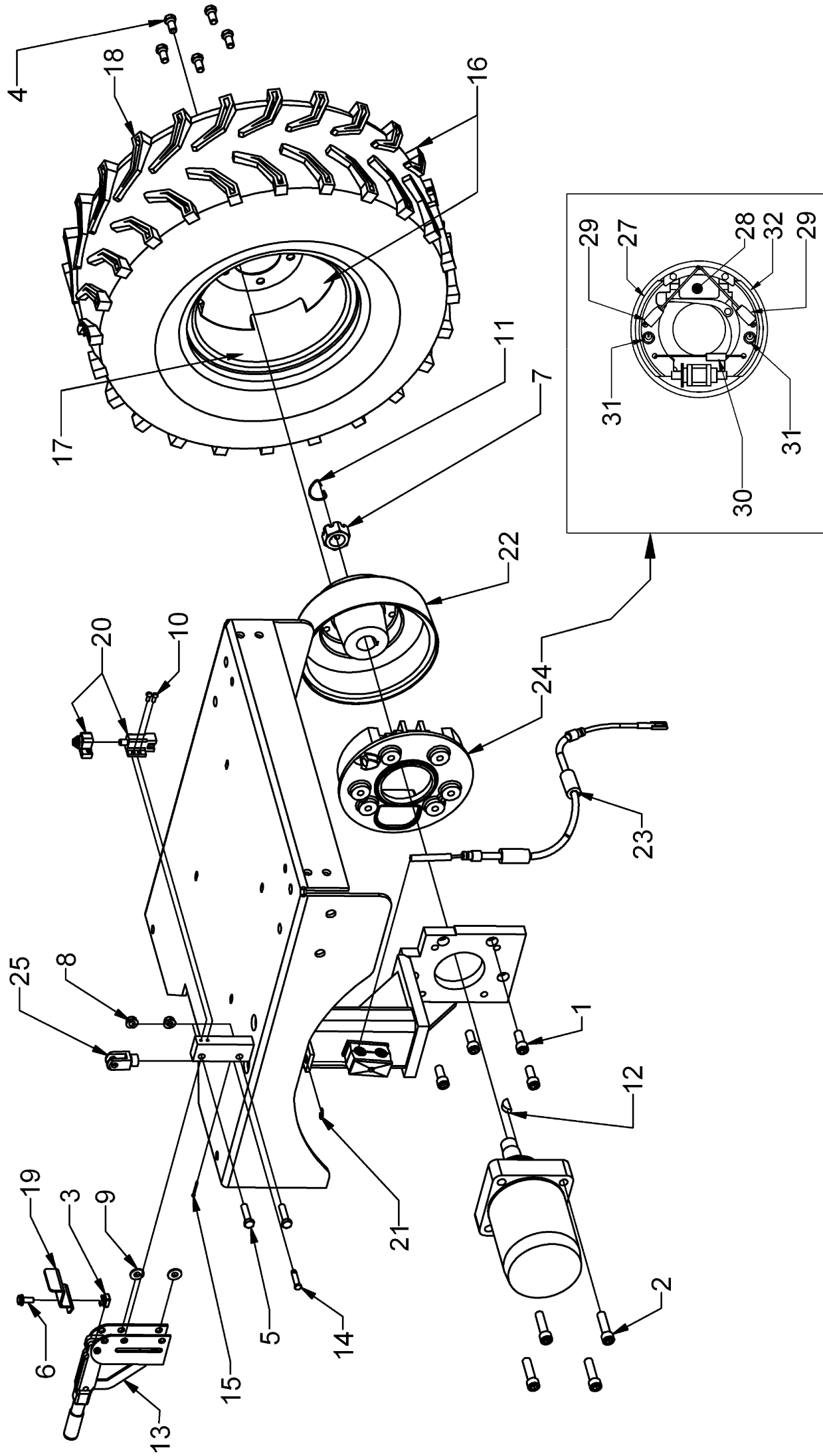


**A180**



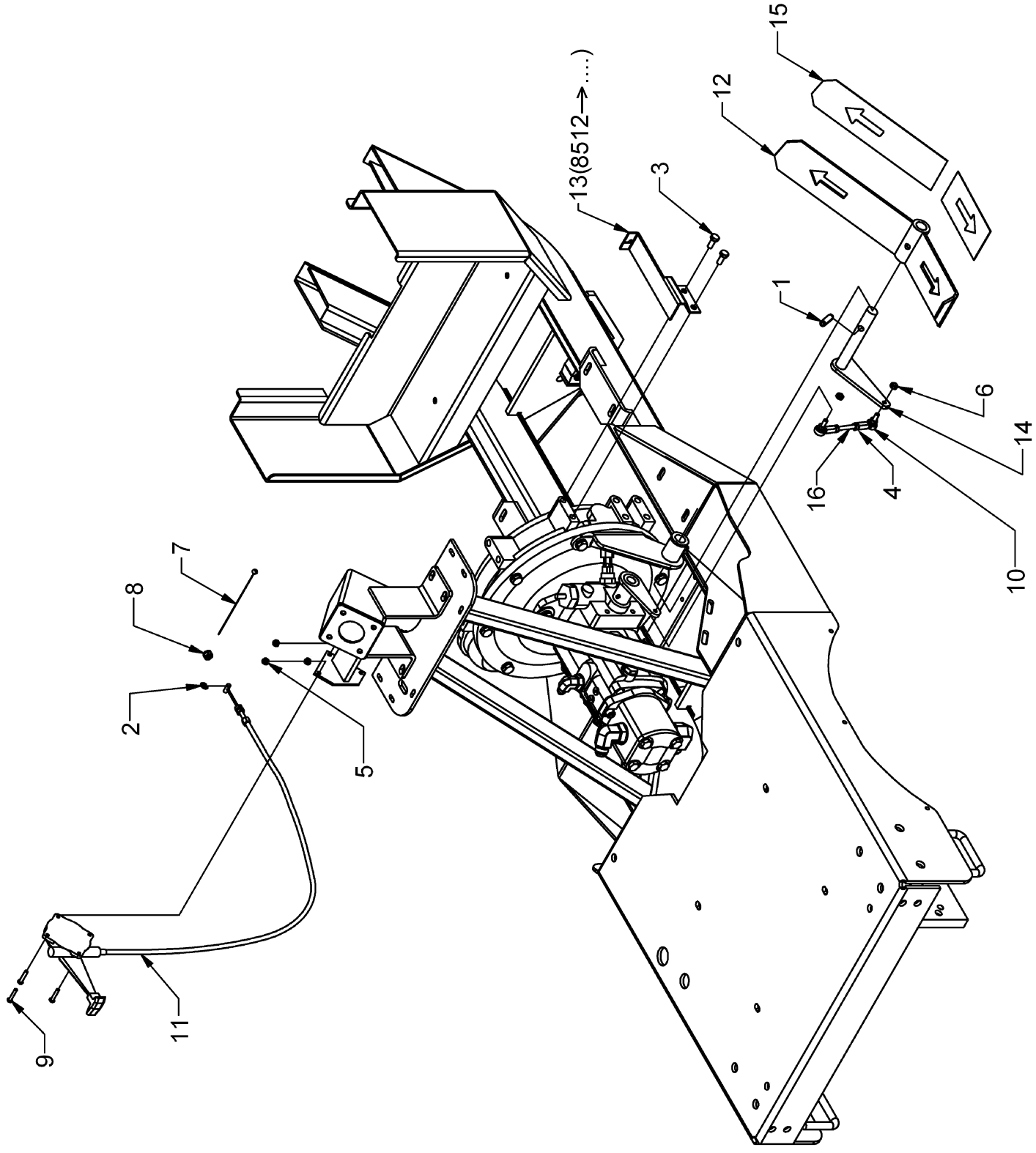
# A180/1

REPERE	REF.	F	D	E
1	31781	ECROU 7/16-20	MUTTER 7/16-20	NUT 7/16-20
2	31787	VIS 1/2-13x1	SCHRAUBE 1/2-13x1	SCREW 1/2-13x1
3	31791	ECROU AUTOFR. 10-24	STOPMUTTER 10-24	STOP NUT 10-24
4	31792	VIS 1/4-20x0,75	SCHRAUBE 1/4-20x0,75	SCREW 1/4-20x0,75
5	31768	VIS 3/8-16x1	SCHRAUBE 3/8-16x1	SCREW 3/8-16x1
6	31767	VIS 5/16-18x4	SCHRAUBE 5/16-18x4	SCREW 5/16-18x4
7	31764	VIS 7/16-20x1,5	SCHRAUBE 7/16-20x1,5	SCREW 7/16-20x1,5
8	33002	VIS 5/16-18x2,25	SCHRAUBE 5/16-18x2,25	SCREW 5/16-18x2,25
9	33006	ECROU AUTOFR. 5/16-18	STOPMUTTER 5/16-18	STOP NUT 5/16-18
10	33010	ECROU 1/2-13	MUTTER 1/2-13	NUT 1/2-13
11	33019	ECROU AUTOFR. 10-120	STOPMUTTER 10-120	STOP NUT 10-120
12	33022	ECROU 3/8-16	MUTTER 3/8-16	NUT 3/8-16
13	31823	RONDELLE GROWER 1/2"	FEDERSCHEIBE 1/2"	LOCK WASHER 1/2"
14	31825	RONDELLE GROWER 7/16"	FEDERSCHEIBE 7/16"	LOCK WASHER 7/16"
15	33045	VIS 10-24x0,5 RHMS	SCHRAUBE 10-24x0,5 RHMS	SCREW 10-24x0,5 RHMS
16	31913	VIS	SCHRAUBE	SCREW
17	31899	SIEGE COMPLET	SITZ KPLT	SEAT CPLT
31	31896	ARCEAU	BÜGEL	FLANGE
32	33198	SUPPORT INTERRUPTEUR	HALTERUNG	BRACKET
33	33079	BRIDE POIGNEE	GRIFFSCHELLE	HANDLE CLAMP
34	33080	GARDE BOUE AR.DR.	KOTFLÜGEL HINT.RH.	FENDER SKIRT REAR RIGHT
35	33094	CARENAGE AV.INTERRUPT.	SCHALTERVERKLEIDUNG	FRONT SWITCH GUARD
36	33095	CARENAGE AR.INTERRUPT.	SCHALTERVERKLEIDUNG	BACK SWITCH GUARD
37	33096	SUPPORT PROTECTION	SCHÜTZHALTERUNG	PROTECTION BRACKET
38	31898	POIGNEE	GRIFF	HANDLE WELDMENT
39	31897	SUPPORT GYROPHARE	RUNDUMKENELEUCHT.HALT.	FLASHLIGHT BRACKET
40	33108	CHASSIS A180	RAHMEN A180	FRAME A180
41	33259	CONTACTEUR SIEGE	SITZ SCHALTER	SEAT SWITCH



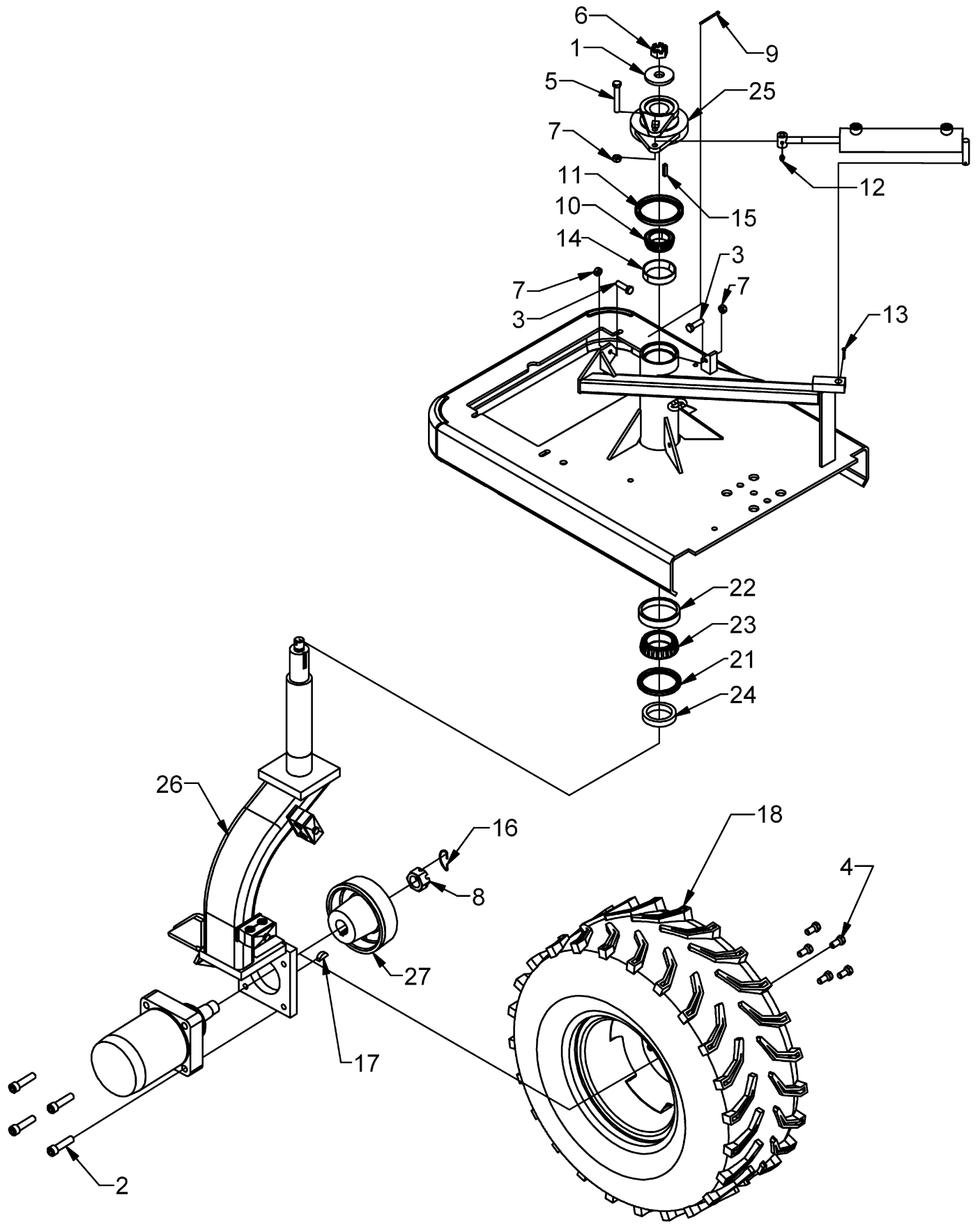
# A180/2

REPERE	REF.	F	D	E
1	33145	VIS M12x1,75x30 SHCS	SCHRAUBE M12x1,75x30 SHC	SCREW M12x1,75x30 SHCS
2	31793	VIS 1/2-13x2	SCHRAUBE 1/2-13x2	SCREW 1/2-13x2
3	31794	ECROU NUL 5/16-18	KASTENMUTTER 5/16-18	CAGE NUT 5/16-18
4	31977	VIS DE ROUE	RADSCHRAUBE	WHEEL SCREW
5	31842	VIS 3/8-16x1,5	SCHRAUBE 3/8-16x1,5	SCREW 3/8-16x1,5
6	31851	VIS 5/16-18x0,75	SCHRAUBE 5/16-18x0,75	SCREW 5/16-18x0,75
7	31845	ECROU A CRENEAUX	KRONENMUTTER	NUT SLOTTED
8	33022	ECROU 3/8-16	MUTTER 3/8-16	NUT 3/8-16
9	33152	RONDELLE 5/16	SCHIBE 5/16	WASHER 5/16
10	33045	VIS 10-24x0,5 RHMS	SCHRAUBE 10-24x0,5 RHMS	SCREW 10-24x0,5 RHMS
11	31982	GOUPILLE	SPLINT	PIN
12	31843	CLAVETTE	KEIL	KEY
13	31989	LEVIER FREIN DE PARKING	PARKBREMSEHEBEL KPLT	PARK BRAKE LEVER ASSY.
14	31990	AXE	STIFT	PIN
15	33049	GOUPILLE FENDUE 3/32	SPLINT 3/32	COTTER PIN 3/32
16	33051	ROUE CPLTE	RAD KLPT	WHEEL CPLT
17	31846	JANTE	FELGE	RIM
18	31969	PNEU	REIFEN	TYRE
19	33197	BUTEE CONTACT.SECURITE	SICHER.SCHALTER ANSCHL	SAFETY SWITCH STOP
20	31405	CONTACTEUR FREIN PARK.	PARKBREMSSCHALTER	PARK BRAKE SWITCH
21	33115	CLIPS	E-CLIP	E-CLIP
22	31815	TAMBOUR DE FREIN	BREMSTROMMEL	BRAKE DRUM
23	31992	CABLE FREIN DE PARKING	PARKBREMSKABEL	PARK BRAKE CABLE
24	31994	PLATEAU FREIN CPLT	HINTER BREMSE KPLT	REAR BRAKE CPLT
25	31991	CHAPE	GABEL	CLEVIS YOKE
27	33116	MACHOIRE DE FREIN	BREMSBACKE	BRAKE SHOE
28	33117	CYLINDRE DE FREIN	BREMSZYLINDER	BRAKE CYLINDER
29	33118	RESSORT DE RAPPEL	FEDER	SPRING
30	33119	RESSORT DE MAINTIEN	FEDER	SPRING
31	33120	RESSORT DE MAINTIEN	FEDER	SPRING
32	31976	MACHOIRE AVEC LEVIER	BACKE MIT HEBEL	SHOE WITH LEVER



# A180/3

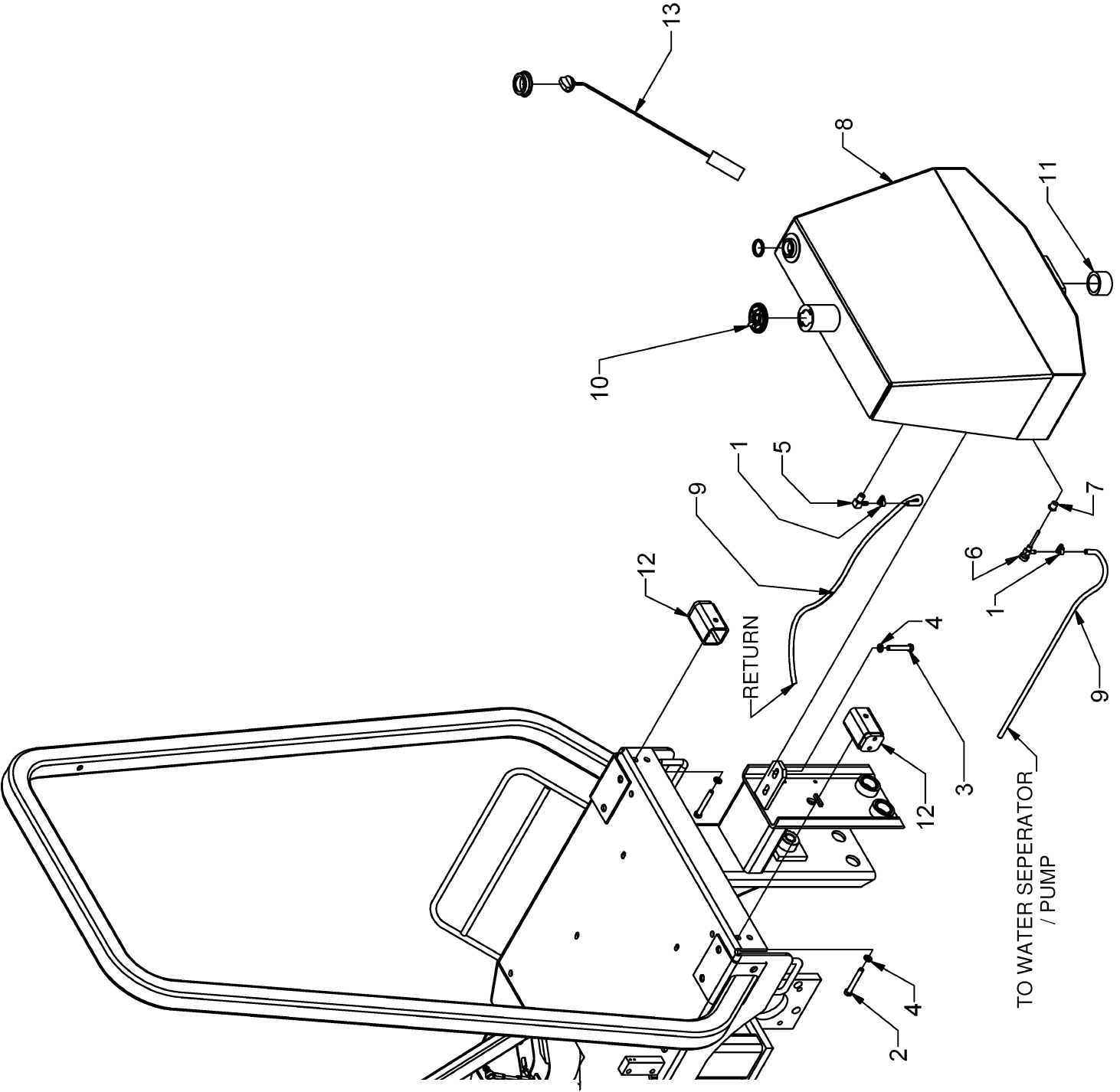
REPERE	REF.	F	D	E
1	31892	GOUPILLE CYL. 3/8x1,25	STIFT 3/8x1,25	ROLL PIN 3/8x1,25
2	31889	CLIPS CABLE DE GAZ	GASKABELCLIP	E-CLIP THROTTLE CABLE
3	33001	VIS M8x20-1,25	SCHRAUBE M8x20-1,25	SCREW M8x20-1,25
4	33015	ECROU 1/4-28	MUTTER 1/4-28	NUT 1/4-28
5	33020	ECROU AUTOFR. 10-24	STOPMUTTER 10-24	LOCK NUT 10-24
6	31891	ECROU AUTOFR. 1/4-28	STOPMUTTER 1/4-28	LOCK NUT 1/4-28
7	33101	FIL DE PLOMBAGE	KABEL	WIRE SEAL
8	33102	CLIP DE PLOMBAGE	CLIP	CLIP
9	33040	VIS 10x24x1 RHMS	SCHRAUBE 10x24x1 RHMS	SCREW 10x24x1 RHMS
10	31890	ROTULE	KÜGELGELENK	KNUCKLE
11	31888	CABLE DE GAZ	GASKABEL	THROTTLE CABLE
12	31893	PEDALE D'AVANCEMENT	ANSTRIEBSPEDAL	FOOT PEDAL
13	33069	SUPPORT CABLE DE GAZ	GASKABELHALTERUNG	THROTTLE CABL.BRACKET
14	31895	AXE LEVIER PED.AV.	ANTRIEBSPEDALWELLE	TRACTION LEVER SHAFT
15	31894	REVETEMENT PEDALE AV.	ANTRIEBSPEDALAUFPLAGE	TRACTION LEVER COVER.
16	33121	TIGE LEVIER POMPE	PUMPEGESTÄNGE	LINKAGE





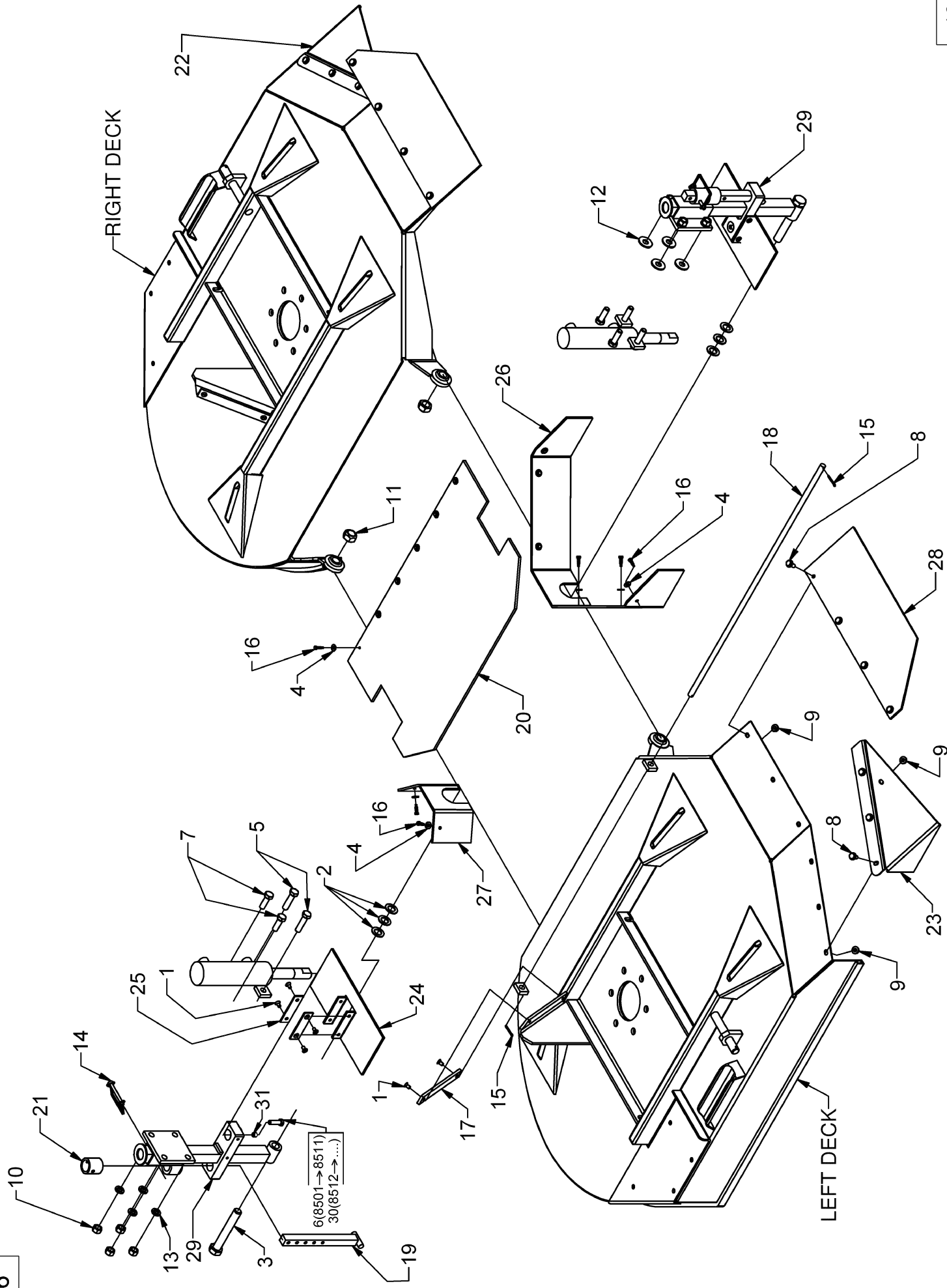
# A180/4

REPERE	REF.	F	D	E
1	31790	RDLE 2,25x0,75x0,25	SCHEIBE 2,25x0,75x0,25	WASHER 2,25x0,75x0,25
2	31793	VIS 1/2-13x2	SCHRAUBE 1/2-13x2	SCREW 1/2-13x2
3	31821	VIS 3/8-16x1,25	SCHRAUBE 3/8-16x1,25	SCREW 3/8-16x1,25
4	31977	VIS DE ROUE	RADSCHRAUBE	WHEEL SCREW
5	31770	VIS 3/8-16x2,5	SCHRAUBE 3/8-16x2,5	SCREW 3/8-16x2,5
6	33008	ECROU A CRENEAUX 3/4-10	KRONENMUTTER 3/4-10	NUT SLOTTED 3/4-10
7	33016	ECROU 3/8-16	MUTTER 3/8-16	NUT 3/8-16
8	31845	ECROU A CRENEAUX	KRONENMUTTER	NUT SLOTTED
9	31738	GOUPILLE 1/4x1,5	STIFT 1/4x1,5	PIN 1/4x1,5
10	31835	ROULEMENT CONIQUE	KONISCH.KUGELLAGER	BALL BEARING
11	31834	JOINT A LEVRES	SIMMERING	SEAL
12	31841	GRAISSEUR 1/4-28	SCHMIERNIPPEL 1/4-28	GREASE ZERK 1/4-28
13	31911	GOUPILLE FENDUE 1/8-1	SPLINT 1/8-1	COTTER PIN 1/8-1
14	31836	CAGE A ROULEMENT	KUGELLAGERGEHÄUSE	BEARING CUP
15	31961	CLAVETTE	KEIL	KEY
16	31982	GOUPILLE	SPLINT	PIN
17	31843	CLAVETTE	KEIL	KEY
18	33051	ROUE COMPLETE	RAD KPLT	WHEEL CPLT
21	31839	JOINT A LEVRES	SIMMERING	SEAL
22	31837	CAGE A ROULEMENT	KUGELLAGERGEHÄUSE	BEARING CUP
23	31838	ROULEMENT CONIQUE	KONISCH.KUGELLAGER	BALL BEARING
24	31840	ENTRETOISE	BÜCHSE	SPACER
25	31832	BRAS DE DIRECTION	LENKUNGSARM	STEERING ARM
26	33107	BRAS PIVOT AVANT	ARM	ARM
27	31844	MOYEU DE ROUE AVANT	VORDERRADFLANSCH	FRONT WHEEL HUB



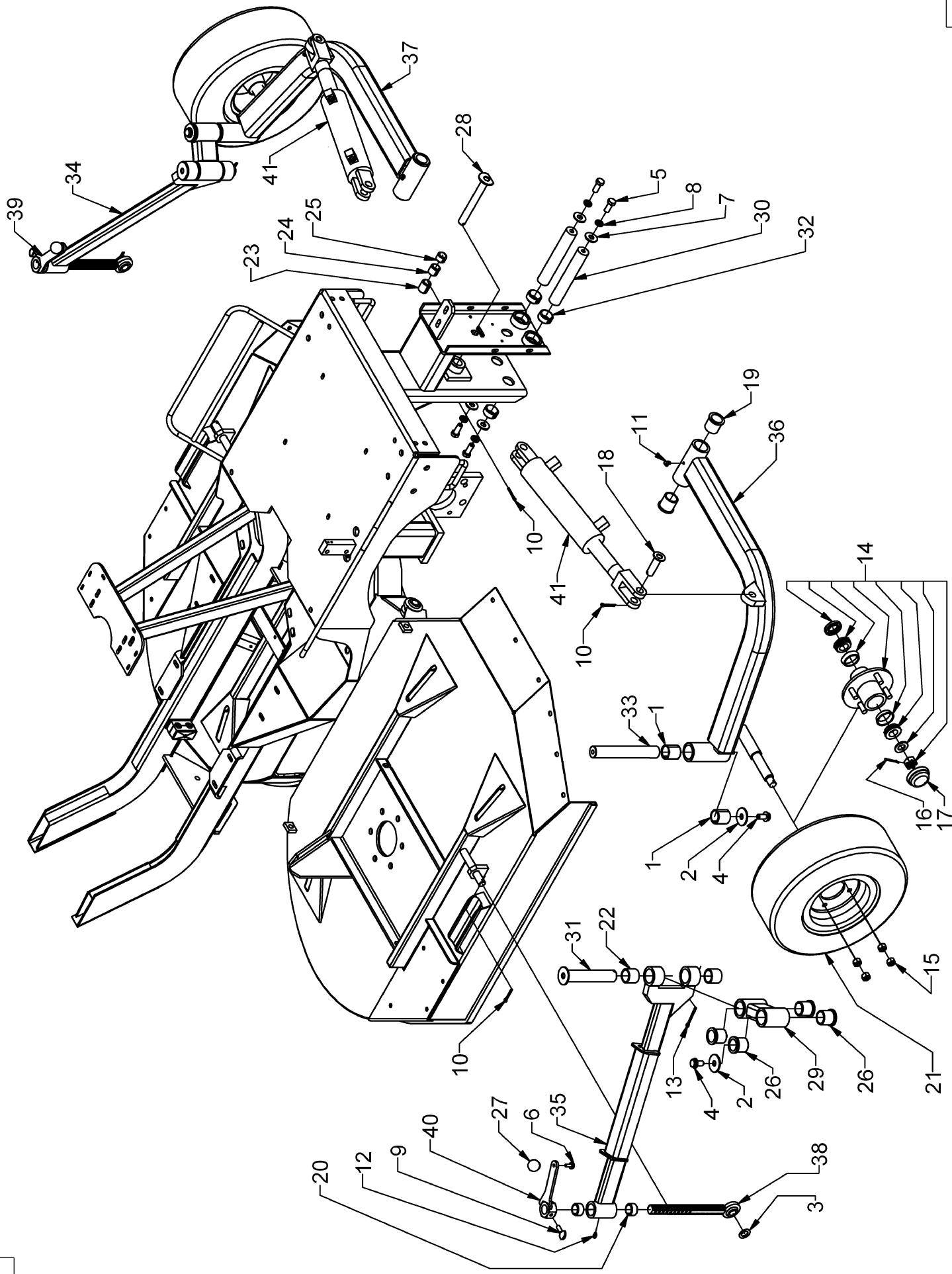
# A180/5

REPERE	REF.	F	D	E
1	31780	COLLIER DE SERRAGE	SCHELLE	CLAMP HOSE
2	31779	VIS 3/8-16x2,75	SCHRAUBE 3/8-16x2,75	SCREW 3/8-16x2,75
3	33003	VIS 3/8-16x2,25	SCHRAUBE 3/8-16x2,25	SCREW 3/8-16x2,25
4	31826	RONDELLE GROWER 3/8"	FEDERSCHEIBE 3/8"	LOCK WASHER 3/8"
5	31887	ADAPTATEUR 4BH/4MP90	ADAPTER 4BH/4MP90	ADAPTER 4BH/4MP90
6	31885	ROBINET CARBURANT	KRAFTSTOFFHAHN	FUEL SHUT OFF VALVE
7	31886	ADAPTATEUR 1/4x1/8 NPT	ADAPTER 1/4x1/8 NPT	ADAPTER 1/4x1/8 NPT
8	31883	RESERVOIR CARBURANT	KRAFTSTOFFTANK	FUEL TANK
9	33050	FLEXIBLE CARBURANT	KRAFTSTOFFSCHLAUCH	FUEL HOSE
10	31884	BOUCHON RESERV.CARB.	KRAFTSTOFFTANKDECKEL	FUEL TANK CAP
11	33084	ENTRETOISE RES.CARB.	KRAFTSTOFFT.BÜCHSE	FUEL TANK RISER
12	33106	ENTRETOISE CHASSIS/RES.	BÜCHSE RAHMEN/TANK	SPACER FRAME/TANK
13	31975	JAUGE A CARBURANT	TANKUHR	FUEL GAUGE



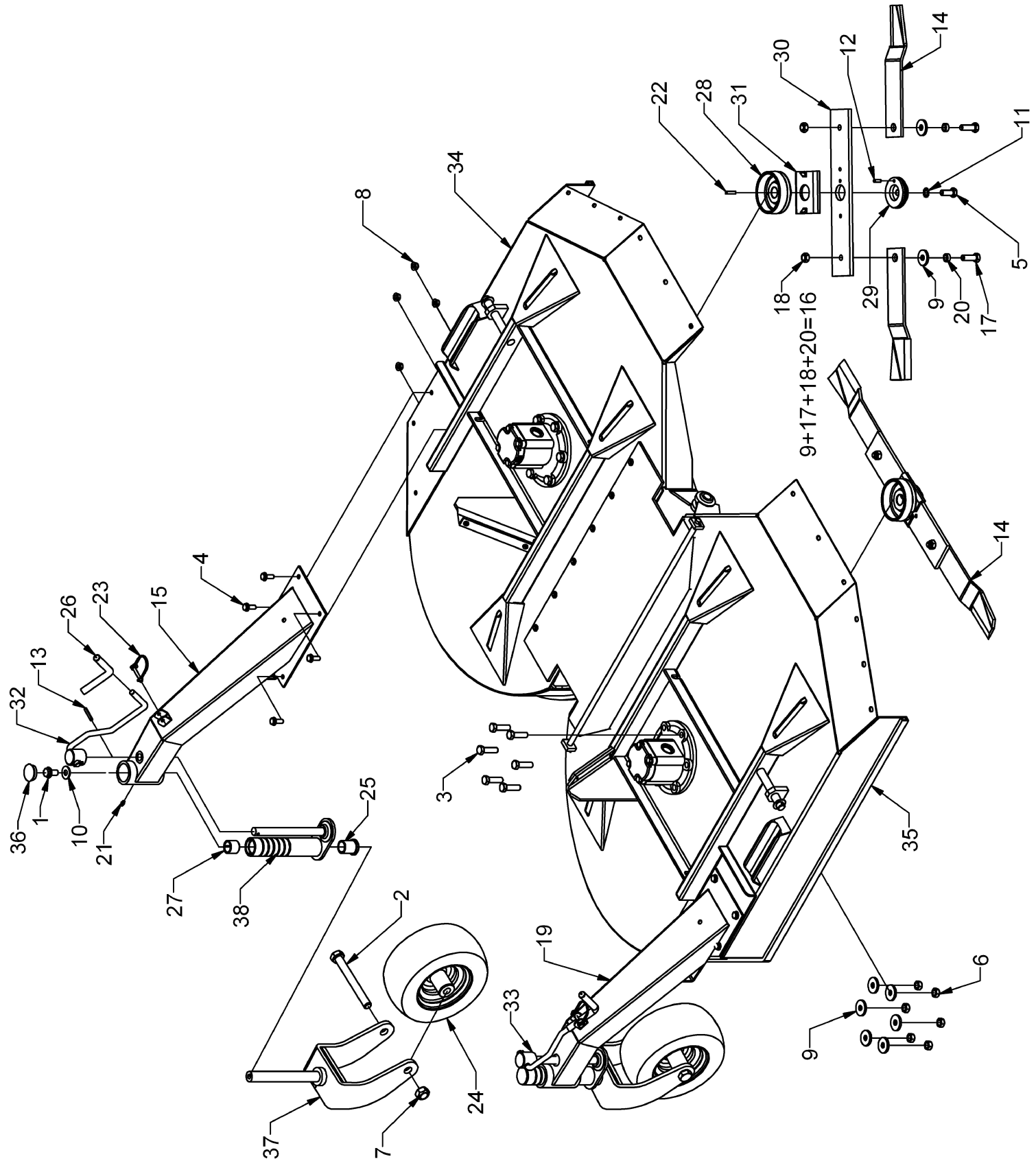
# A180/6

REPERE	REF.	F	D	E
1	31912	VIS 1/4-20x0,5	SCHRAUBE 1/4-20x0,5	SCREW 1/4-20x0,5
2	31784	RDLE 1,25x0,75x0,75	SCHEIBE 1,25x0,75x0,75	WASHER 1,25x0,75x0,75
3	31786	VIS 3/4-10x5	SCHRAUBE 3/4-10x5	SCREW 3/4-10x5
4	31796	RONDELLE 1/4"	SCHEIBE 1/4"	WASHER 1/4"
5	31799	VIS 1/2-13x2	SCHRAUBE 1/2-13x2	SCREW 1/2-13x2
6	31821	VIS 3/8-16x1,25	SCHRAUBE 3/8-16x1,25	SCREW 3/8-16x1,25
7	31772	VIS 1/2-13x1,5	SCHRAUBE 1/2-13x1,5	SCREW 1/2-13x1,5
8	31851	VIS 5/16-18x0,75	SCHRAUBE 5/16-18x0,75	SCREW 5/16-18x0,75
9	33007	ECROU 5/16-18	MUTTER 5/16-18	NUT 5/16-18
10	33010	ECROU 1/2-13	MUTTER 1/2-13	NUT 1/2-13
11	33018	ECROU 3/4-10	MUTTER 3/4-10	NUT 3/4-10
12	31877	RONDELLE 1/2" STD	SCHEIBE 1/2" STD	WASHER 1/2" STD
13	31823	RONDELLE GROWER 1/2"	FEDERSCHEIBE 1/2" STD	LOCK WASHER 1/2" STD
14	31979	GOUPILLE	SPLINT	PIN
15	31911	GOUPILLE FENDUE 1/8-1	SPLINT 1/8-1	COTTER PIN 1/8-1
16	31913	VIS	SCHRAUBE	SCREW
17	33103	BUTEE PLASTIQUE	KUNSTOFFANSCHLAG	PLASTIC BUMPER
18	31910	TIGE DE MAINTIEN	BEFESTIGUNGSGESTANGE	ROD
19	31901	TIRANT HDC	SCHNITTHÖHETRÄGER	DECK ADJUSTER
20	31904	PLAST.PLATEAU DE COUPE	KUNSTOFFVERKLEID.	PLASTIC DECK COVER
21	31900	BAGUE	BÜCHSE	BUSHING
22	31907	DEFL.PLAT.COUBE D.	RECHTER DEFLEKTOR	RIGHT SHIELD
23	31908	DEFL.PLAT.COUBE G.	LINKER DEFLEKTOR	LEFT SHIELD
24	31909	BAVETTE AV.	VORDERE GUMMILAPPEN	DECK LIFT FLAPPER
25	33083	BRIDE BAVETTE AVANT	GUMMILAPPENBÜGEL	FLAPPER STRAP
26	31905	BAVETTE CENTR.ARRIERE	ZENTR.GUMMI. HINTEN	REAR DECK FLAPPER
27	31906	BAVETTE CENTRAL AV.	ZENTR.GUMMI. VORNE	FRONT DECK FLAPPER
28	31903	BAVETTE ARRIERE	HINT. GUMMILAPPEN	REAR DECK FLAPPER
29	31902	ENS.MAINT.PDC/CHASSIS	MAHWERKSHALTERUNG	TAPPED HOLES ASSEMBLY
30	33262	VIS VERIN HDC	SCHRAUBE	SCREW
31	33263	ENTRETOISE VERIN HDC	BÜCHSE	SPACER



# A180/7

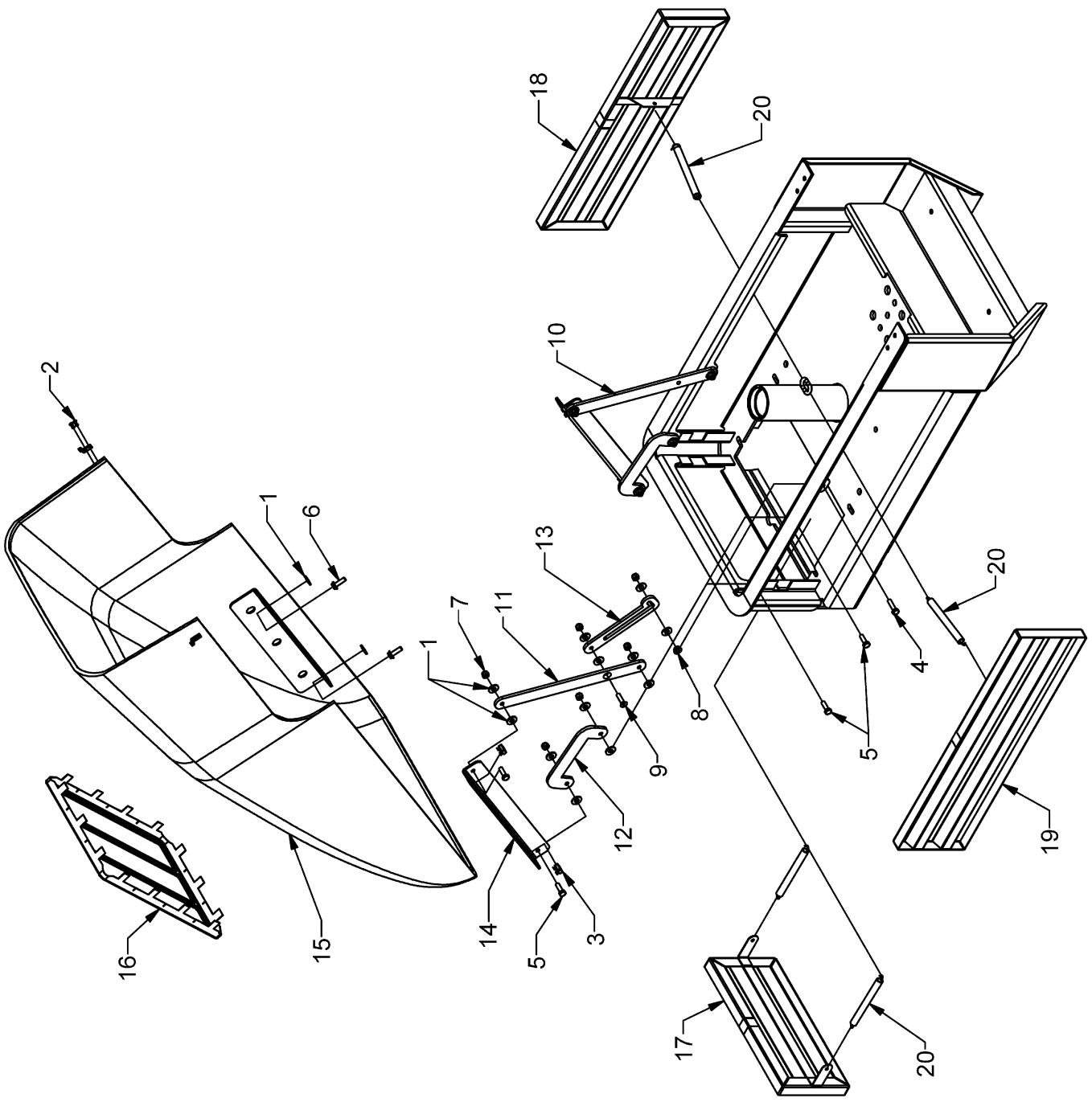
REPERE	REF.	F	D	E
1	31866	BAGUE 1,5"x1,25"x1"	BÜCHSE 1,5"x1,25"x1"	BUSHING 1,5"x1,25"x1"
2	31865	RDLE 1,875x0,563x1,25	SCHEIBE 1,875x0,563x1,25	WASHER 1,875x0,563x1,25
3	31784	RDLE 1,25x0,75x0,75	SCHEIBE 1,25x0,75x0,75	WASHER 1,25x0,75x0,75
4	31864	VIS 1/2-13x1	SCHRAUBE 1/2-13x1	SCREW 1/2-13x1
5	31787	VIS 1/2-13x1,25	SCHRAUBE 1/2-13x1,25	SCREW 1/2-13x1,25
6	31851	VIS 5/16-18x0,75	SCHRAUBE 5/16-18x0,75	SCREW 5/16-18x0,75
7	31877	RONDELLE 1/2" STD	SCHEIBE 1/2" STD	WASHER 1/2" STD
8	31823	RONDELLE GROWER 1/2"	FEDERSCHEIBE 1/2"	LOCK WASHER 1/2"
9	31849	VIS 3/8-16x1	SCHRAUBE 3/8-16x1	SCREW 3/8-16x1
10	31879	GOUPILLE FEND. 3/16x1,25	SPLINT 3/16x1,25	PIN 3/16x1,25
11	33039	GRAISSEUR 1/4-28 90°	SCHMIERNIPPEL 1/4-28 90°	GREASE NIPPEL 1/4-28 90°
12	31841	GRAISSEUR 1/4-28	SCHMIERNIPPEL 1/4-28	GREASE NIPPEL 1/4-28
13	33041	GOUPILLE FEND. 3/16x2	SPLINT 3/16x2	PIN 3/16x2
14	31882	MOYEU COMPLET	NABE KPLT	HUB ASSEMBLY
15	33014	ECROU 1/2-20	MUTTER 1/2-20	NUT 1/2-20
16	31880	GOUPILLE FEND. 1/8x1,25	SPLINT 1/8x1,25	PIN 1/8x1,25
17	31881	CACHE RLT DE MOYEU	SCHUTZKAPPE	DUST CAP
18	31869	AXE	BOLZEN	SHAFT
19	31868	BAGUE	BÜCHSE	BUSHING
20	31854	BAGUE 1,25x1x0,75	BÜCHSE 1,25x1x0,75	BUSHING 1,25x1x0,75
21	31964	ROUE CPLT	RAD KLPT	WHEEL CPLT
22	31860	BAGUE	BÜCHSE	BUSHING
23	31871	BAGUE	BÜCHSE	BUSHING
24	31872	BAGUE	BÜCHSE	BUSHING
25	31873	BAGUE	BÜCHSE	BUSHING
26	31863	BAGUE	BÜCHSE	BUSHING
27	31850	BOULE	KÜGEL	BALL
28	31874	AXE	BOLZEN	SHAFT
29	31862	BRAS EGALISEUR	AUSGLEICHARM	EQUALIZER ARM
30	31875	AXE	BOLZEN	SHAFT
31	31861	AXE	BOLZEN	SHAFT
32	31878	BAGUE	BÜCHSE	BUSHING
33	31867	AXE	BOLZEN	SHAFT
34	31859	BRAS SUSPEN. PLAT. DR.	RECHTER ARM	RIGHT ARM
35	31858	BRAS SUSPEN. PLAT. G.	LINKER ARM	LEFT ARM
36	31965	BRAS STAB. GAUCHE	LINKER STAB. ARM	LEFT STAB. ARM
37	31966	BRAS STAB. DROIT	RECHTER STAB. ARM	RIGHT STAB. ARM
38	31855	TIGE REGLAGE HDC	SCHNITT.EINST.GESTÄNGE	SLIDE
39	31847	POIGNEE REG. HDC DR.	RH EINSTELLUNGSGRIFF	RIGHT HANDLE
40	31848	POIGNEE REG. HDC GCH.	LK EINSTELLUNGSGRIFF	LEFT HANDLE
41	31870	VERIN STABILISATEUR	STABILISATOR ZYLINDER	STAB. CYLINDER





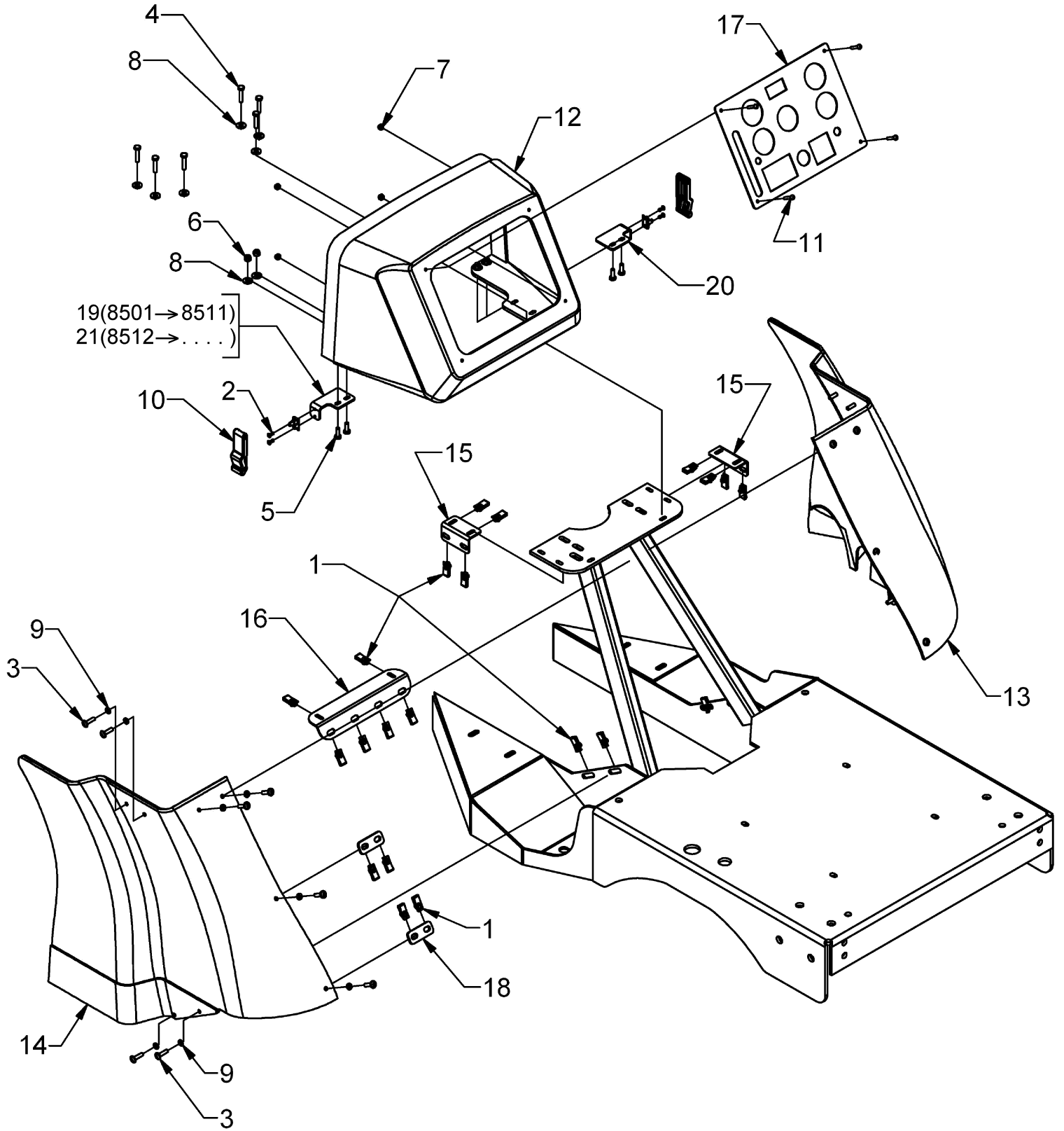
# A180/8

REPÈRE	REF.	F	D	E
1	31864	VIS 1/2-13x1	SCHRAUBE 1/2-13x1	SCREW 1/2-13x1
2	33264	VIS 3/4-10x6,75	SCHRAUBE 3/4-10x6,75	SCREW 3/4-10x6,75
3	31776	VIS 1/2-13x1,75	SCHRAUBE 1/2-13x1,75	SCREW 1/2-13x1,75
4	31768	VIS 3/8-16x1	SCHRAUBE 3/8-16x1	SCREW 3/8-16x1
5	31963	VIS LAME	MESSER SCHRAUBE	BLADE SCREW
6	33012	ECROU 1/2-13	MUTTER 1/2-13	NUT 1/2-13
7	33018	ECROU 3/4-10	MUTTER 3/4-10	NUT 3/4-10
8	33022	ECROU 3/8-16	MUTTER 3/8-16	NUT 3/8-16
9	33023	RONDELLE 1/2" x 1,50D	SCHEIBE 1/2" x 1,50D	WASHER 1/2" x 1,50D
10	33153	RONDELLE 7/16	SCHEIBE 7/16	WASHER 7/16
11	33028	RONDELLE EVENT. 1/2"	SCHEIBE 1/2"	WASHER 1/2"
12	33029	GOUPILLE 1/4x0,75	STIFT 1/4x0,75	PIN 1/4x0,75
13	33038	GOUPILLE 1/4x1,5	STIFT 1/4x1,5	PIN 1/4x1,5
14	MC180	JEU DE 4 LAMES	4 MESSER SATZ	4 BLADES SET
15	33204	BRAS DROIT	RECHTER ARM	RIGHT ARM
16	31953	JEU DE BOULONS	SCHRAUBENSATZ	BOLT SET
17	31783	VIS 20x1,5 GR8	SCHRAUBE 20x1,5 GR8	SCREW 20x1,5 GR8
18	33021	ECROU 1/2-20	SCHRAUBE 1/2-20	SCREW 1/2-20
19	33205	BRAS GAUCHE	LINKER ARM	LEFT ARM
20	33048	ENTRETOISE	BÜCHSE	BUSH
21	31841	GRAISSEUR 1/4-28	SCHMIERNIPPEL 1/4-28	GREASE ZERK 1/4-28
22	31961	CLAVETTE	KEIL	KEY
23	33046	GOUPILLE 14-13	SPLINT 14-13	PIN 14-13
24	31964	ROUE FOLLE CPLTE	RAD KLPT	WHEEL CPLT
25	33052	BAGUE MFI-1620-24	BÜCHSE MFI-1620-24	BUSH MFI-1620-24
26	33185	GAINÉ PROTECTRICE	SCHUTZHÜLLE	PROTECTIVE COATING
27	33100	BAGUE MSI-1620-20	BÜCHSE MSI-1620-20	BUSH MSI-1620-20
28	31954	ACCOUPLÉMENT MOTEUR	MOTORFLANSCH	ENGINE COUPLING
29	31962	RONDELLE LAME	MESSERSCHEIBE	BLADE WASHER
30	31950	CORPS DE LAME	MESSERBALKEN	BLADE BODY
31	31955	ACCOUPLÉMENT LAME	MESSERFLANSCH	BLADE COUPLING
32	33193	LEVIER DROIT	RECHTER HEBEL	RIGHT LEVER
33	33194	LEVIER GAUCHE	LINKER HEBEL	LEFT LEVER
34	33195	PLATEAU DROIT	RECHTES MÄHWERK	CUT.DECK RIGHT
35	33196	PLATEAU GAUCHE	LINKES MÄHWERK	CUT.DECK LEFT
36	33097	CAPUCHON	STAUBKAPPE	DUST CAP
37	33202	CHAPE	GABEL	HOLDER
38	33203	AXE FILETEE	GEWIND.WELLE	SCREW.AXLE



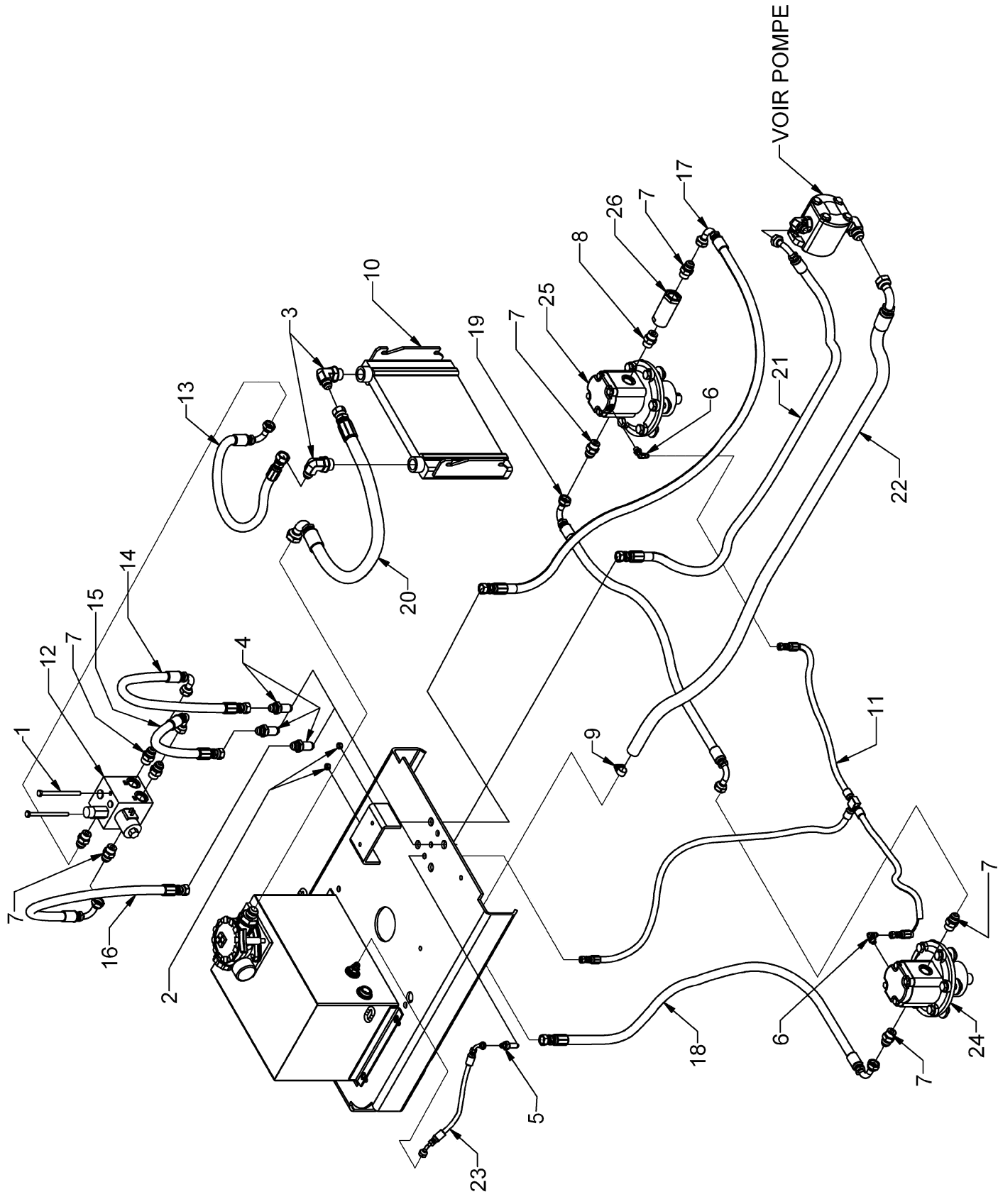
# A180/9

REPERE	REF.	F	D	E
1	33152	RONDELLE 5/16	SCHEIBE 5/16	WASHER 5/16
2	31788	RIVET 5/32x0,378	NIETE 5/32x0,378	POP RIVET 5/32x0,378
3	31794	ECROU NUL 5/16-18	KASTENMUTTER 5/16-18	CAGE NUT 5/16-18
4	31775	VIS 5/16-18x1	SCHRAUBE 5/16-18x1	SCREW 5/16-18x1
5	31774	VIS 5/16-18x1,25	SCHRAUBE 5/16-18x1,25	SCREW 5/16-18x1,25
6	31766	VIS 5/16-18x1	SCHRAUBE 5/16-18x1	SCREW 5/16-18x1
7	33006	ECROU AUTOFR. 5/16-18	STOPMUTTER 5/16-18	STOP NUT 5/16-18
8	33007	ECROU 5/16-18	MUTTER 5/16-18	NUT 5/16-18
9	33030	VIS 5/16-18x1,25	SCHRAUBE 5/16-18x1,25	SCREW 5/16-18x1,25
10	31809	LEVIER AR.OUV.CAPOT	ÖFFNUNGSARM HINTEN	REAR HOOD LIFT ARM
11	31807	LEVIER G.OUV.CAPOT	ÖFFNUNGSARM LINKS	LEFT HOOD LIFT ARM
12	31806	LEVIER AV.OUV.CAPOT	ÖFFNUNGSARM VORNE	FRONT HOOD LIFT ARM
13	31805	LOQUET VERROU. CAPOT	VERRIEGELUNG	SAFETY CATCH
14	31808	SUPPORT LEV.OUV.CAPOT	HALTERUNG	HOOD LIFT BRACKET
15	31802	CAPOT MOTEUR	MOTORHAUBE	ENGINE COVER
16	31810	GRILLE CAPOT MOTEUR	MOTORHAUBE GRILL	TOP SCREEN
17	31800	GRILLE AVANT (CALANDRE)	VORDERE GRILL	FRONT GRILL
18	31801	GRILLE VENT. DR.	KÜHLGRILL RECHTS	GRILL SIDE RIGHT
19	31803	GRILLE VENT. GAUCHE	KÜHLGRILL LINKS	GRILL SIDE LEFT
20	31804	RESSORT	FEDER	SPRING



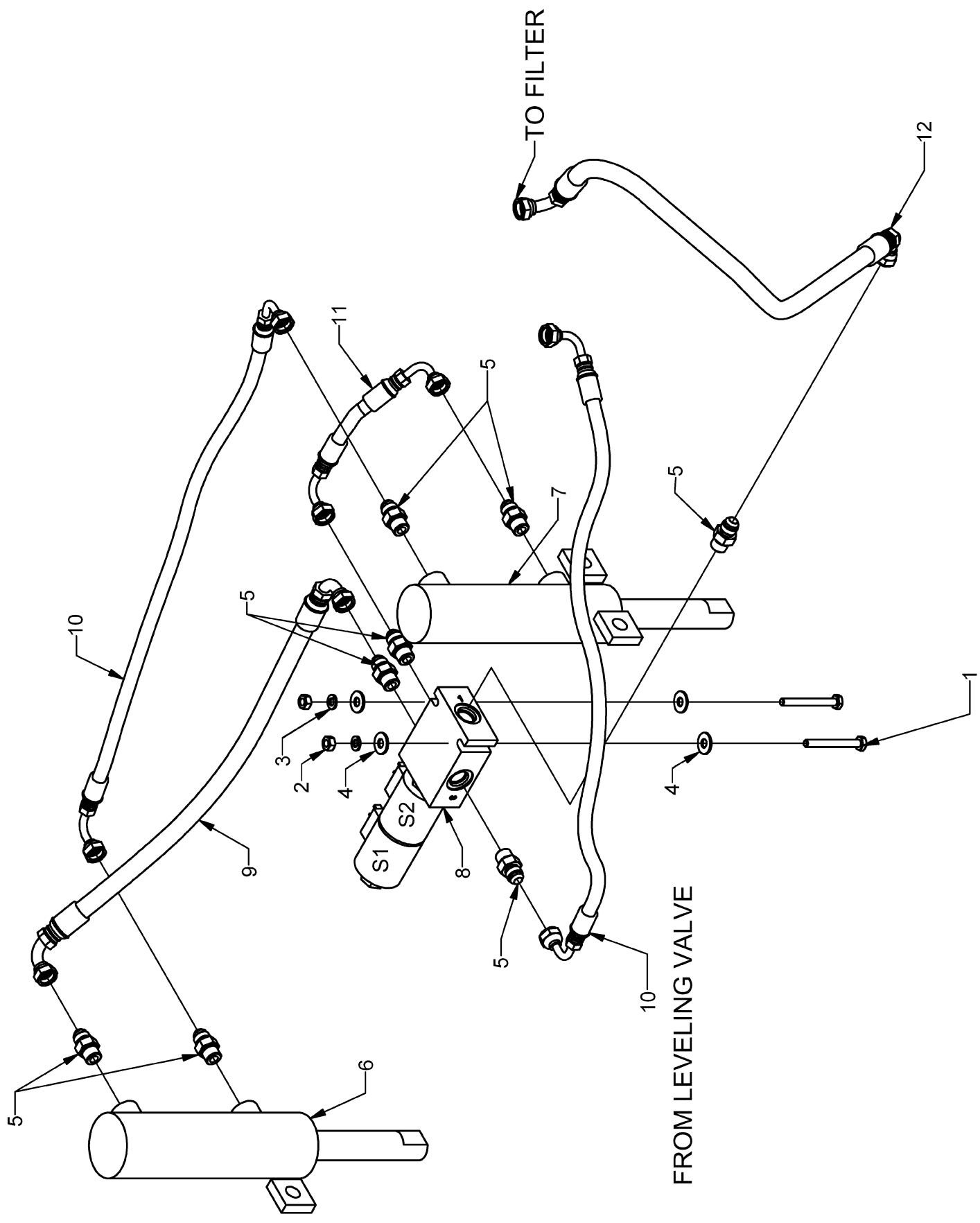
# A180/10

REPERE	REF.	F	D	E
1	31983	ECROU NUL	CLIPSMUTTER	CLIPS NUT
2	31788	RIVET 5/32x0,378	NIETE 5/32x0,378	POP RIVET 5/32x0,378
3	31981	VIS 1/4-20x1 SHCS	SCHRAUBE 1/4-20x1 SHCS	SCREW 1/4-20x1 SHCS
4	31771	VIS 1/4-20x1,25	SCHRAUBE 1/4-20x1,25	SCREW 1/4-20x1,25
5	33005	VIS 1/4-20x0,75	SCHRAUBE 1/4-20x0,75	SCREW 1/4-20x0,75
6	33019	ECROU AUTOFR. 10-120	STOPMUTTER 10-120	STOP NUT 10-120
7	33020	ECROU AUTOFR. 10-24	STOPMUTTER 10-24	STOP NUT 10-24
8	33025	RONDELLE 1/4" STD	SCHEIBE 1/4" STD	WASHER 1/4" STD
9	31980	RONDELLE NYLON 1/4"	NYLON SCHEIBE 1/4"	NYLON WASHER 1/4"
10	31814	LOQUET	KLINKE	LATCH
11	33040	VIS 10-20x1 RHMS	SCHRAUBE 10-20x1 RHMS	SCREW 10-20x1 RHMS
12	31813	CAPOT CONSOLE	VERKLEIDUNG	COWLING DASH
13	31811	CAPOT DROIT	RECHTE VERKLEIDUNG	RIGHT COWLING
14	31812	CAPOT GAUCHE	LINKE VERKLEIDUNG	LEFT COWLING
15	33073	SUPPORT CACHE LATERAL	SEIT.VERKL.HALTERUNG	COWLING BRACKET
16	33074	SUPPORT CACHE (HAUT)	VERKLEID.HALTERUNG	COWLING BRACKET
17	33078	TABLEAU DE BORD	INSTRUMENTENTAFEL	INSTRUMENT BOARD
18	31815	PATTE FIXATION CACHE	VERKLEID.HALTERUNG	BRACKET
19	33092	SUPPORT CAPOT GAUCHE	HALTERUNG LINKE VERKL.	HOOD LATCH LEFT
20	33093	SUPPORT CAPOT DROIT	HALTERUNG RECH. VERKL.	HOOD LATCH RIGHT
21	33251	SUPPORT CAPOT GAUCHE	HALTERUNG LINKE VERKL.	HOOD LATCH LEFT



# A180/11

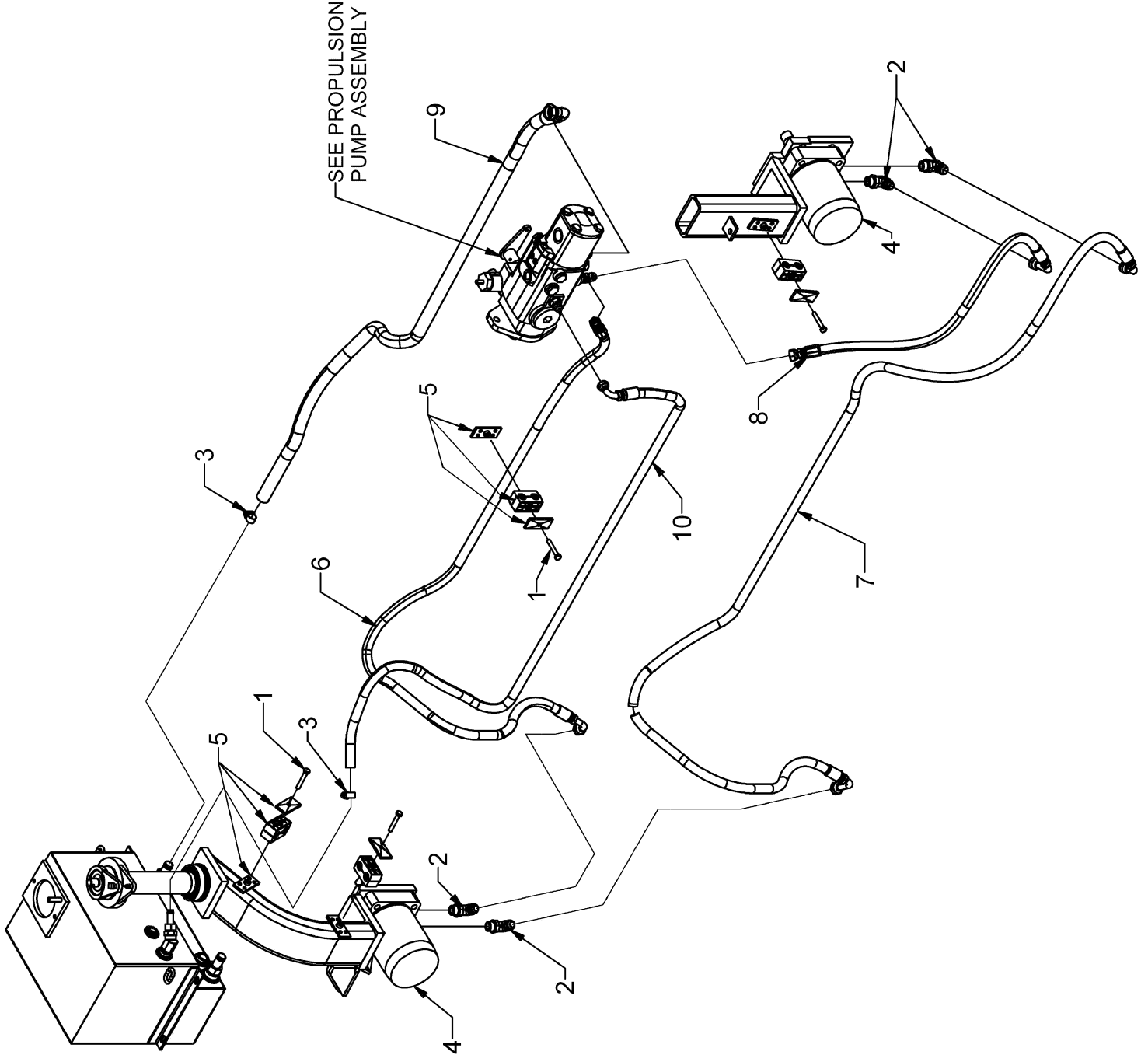
REPERE	REF.	F	D	E
1	33150	VIS 5/16-18x4,5	SCHRAUBE 5/16-18x4,5	SCREW 5/16-18x4,5
2	33151	ECROU 5/16-18	MUTTER 5/16-18	NUT 5/16-18
3	31986	ADAPTATEUR 10MJ/12MB90	ADAPTER 10MJ/12MB90	ADAPTER 10MJ/12MB90
4	33157	ADAPTATEUR 8MJ/8MJ	ADAPTER 8MJ/8MJ	ADAPTER 8MJ/8MJ
5	33032	ADAPTATEUR 4MJ/4MJ	ADAPTER 4MJ/4MJ	ADAPTER 4MJ/4MJ
6	33034	ADAPTATEUR 4MJ/4MB90	ADAPTER 4MJ/4MB90	ADAPTER 4MJ/4MB90
7	33162	ADAPTATEUR 10MJ/10MB	ADAPTER 10MJ/10MB	ADAPTER 10MJ/10MB
8	33165	ADAPTATEUR 10MB/10MB	ADAPTER 10MB/10MB	ADAPTER 10MB/10MB
9	31780	COLLIER DE SERRAGE	SHELLE	CLAMP HOSE
10	33186	RADIATEUR HUILE HYD.	HYD.ÖLKÜHLER	HYD.OIL COOLER
11	31702	FLEX.MOT.LAME/RESERV.	SCHLAUCH	HOSE
12	31925	ELECTROVANNE LAMES	MAGNETVENTIL MESSER	DECK CONTROL VALVE
13	31703	FLEX.MOT.LAME/LAME	SCHLAUCH	HOSE
14	31704	FLEX.MRV/COLL.AR.DROIT	SCHLAUCH	HOSE
15	31705	FLEX.MPV/COLL.AV.DROIT	SCHLAUCH	HOSE
16	31706	FLEX./COLLEC.AR.GAUCHE	SCHLAUCH	HOSE
17	31723	FLEX.MOT.LAME DR./RACC.	SCHLAUCH	HOSE
18	31724	FLEX.MOT.LAME G./RACC.	SCHLAUCH	HOSE
19	31725	FLEX.MOT.LAME DR./G.	SCHLAUCH	HOSE
20	31729	FLEX.RADIATEUR/RES.HYD.	SCHLAUCH	HOSE
21	31730	FLEX.POMPE MOT.LAME	SCHLAUCH	HOSE
22	31732	FLEX.ASPI.POMPE LAME	SCHLAUCH	HOSE
23	33213	FLEX.RESERVOIR/RACC.	SCHLAUCH	HOSE
24	31996	MOTEUR LAME GAUCHE	LINKES MESSER MOTOR	LEFT BLADE ENGINE
25	31997	MOTEUR LAME DROITE	RECHTES MESSER MOTOR	RIGHT BLADE ENGINE
26	33226	FILTRE	FILTER	INLINE FILTER





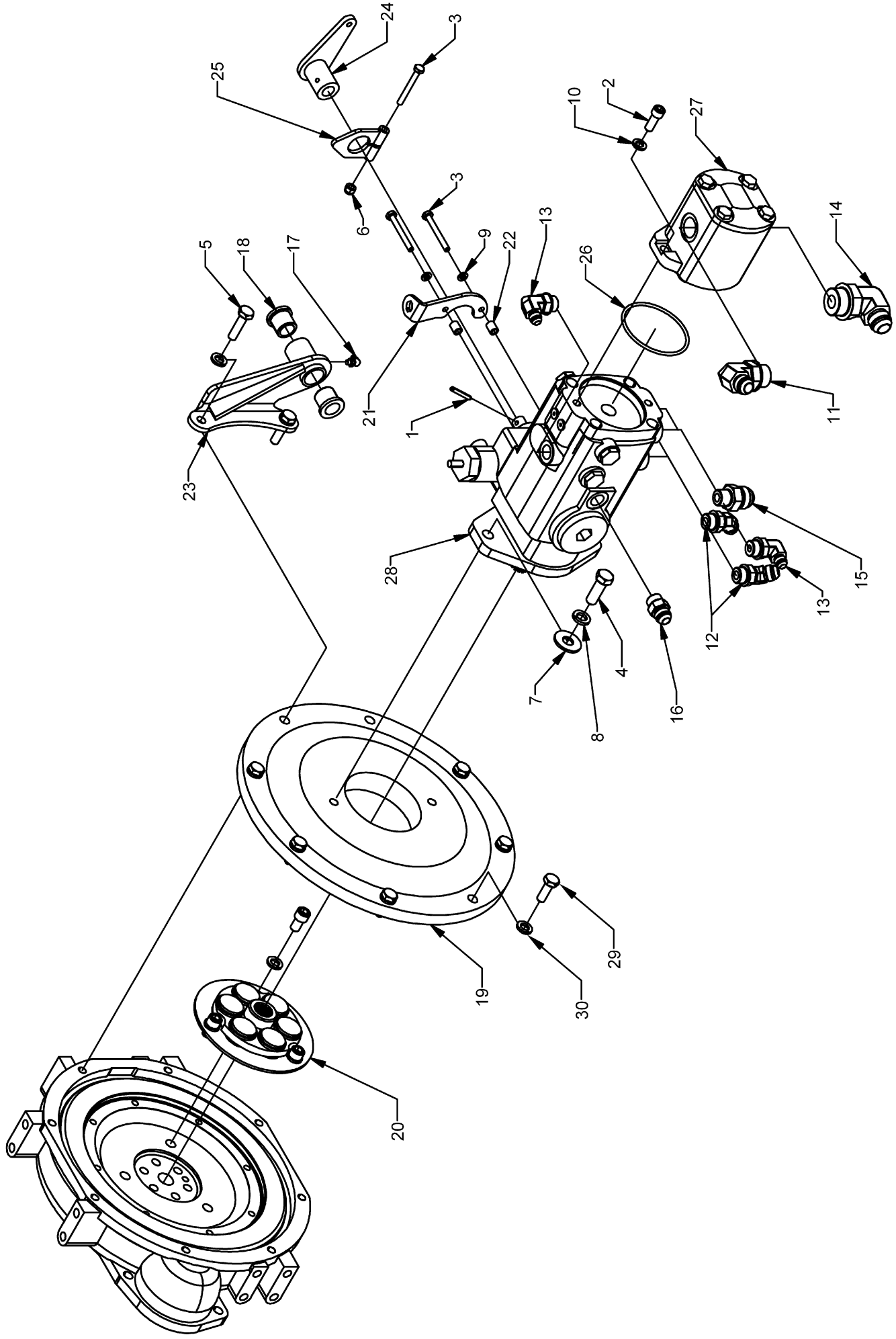
# A180/12

REPERE	REF.	F	D	E
1	31777	VIS 1/4-20x2,25	SCHRAUBE 1/4-20x2,25	SCREW 1/4-20x2,25
2	33009	ECROU 1/4-20	MUTTER 1/4-20	NUT 1/4-20
3	33024	RONDELLE GROWER 1/4"	FEDERSCHEIBE 1/4"	LOCK WASHER 1/4"
4	33025	RONDELLE 1/4" STD	SCHEIBE 1/4" STD	WASHER 1/4" STD
5	31933	ADAPTATEUR 6MJ-6MB	ADAPTER 6MJ-6MB	ADAPTER 6MJ-6MB
6	31929	VERIN HDC AVANT	SCHNITTHÖHENZYL. VORN.	CUT.HGT CYLINDER FRONT
7	31928	VERIN HDC ARRIERE	SCHNITTHÖHENZYL. HINTEN	CUT.HGT CYLINDER REAR
8	31971	DISTRIBUTEUR HDC	SCH. HÖHE VENTIL	CUT.HGT DISTRIBUTOR
9	31711	FLEX.HDC/VER.HDC AV.	SCHLAUCH	HOSE
10	31714	FLEX.VERIN HDC AR.	SCHLAUCH	HOSE
11	31720	FLEX.HDC/VERIN (TIGE)	SCHLAUCH	HOSE
12	31737	FLEX.HDC/INCLINAISON	SCHLAUCH	HOSE



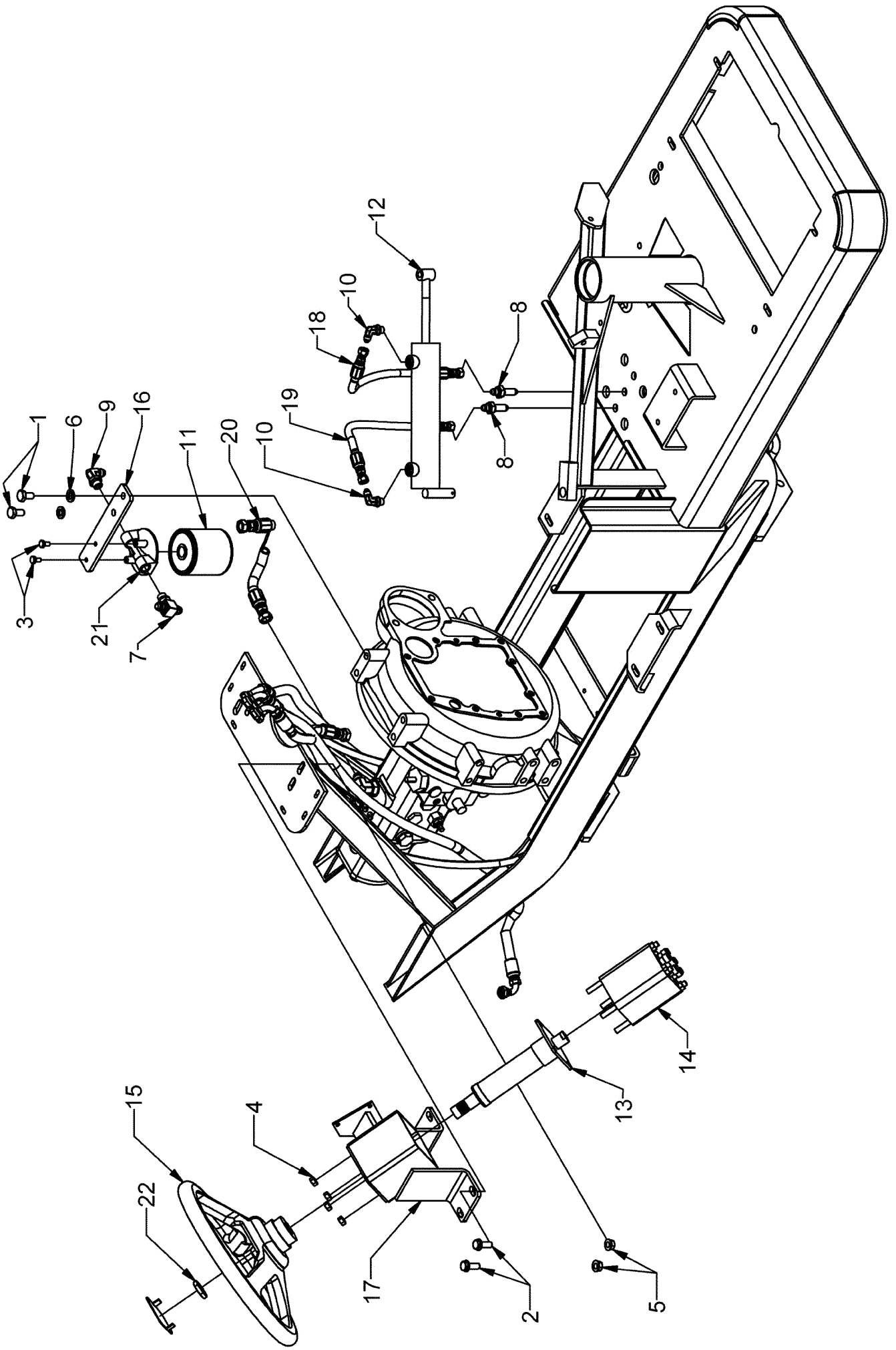
# A180/13

REPERE	REF.	F	D	E
1	31798	VIS 5/16-18x2	SCHRAUBE 5/16-18x2	SCREW 5/16-18x2
2	33033	ADAPTATEUR 10MJ/10MB90	ADAPTER 10MJ/10MB90	ADAPTER 10MJ/10MB90
3	31780	COLLIER DE SERRAGE	SCHELLE	CLAMP HOSE
4	31995	MOTEUR DE ROUE	RADMOTOR	ENGINE WHEEL
5	33211	FIXATION DBLE FLEX. CPLT	DOPPELROHRBEFES. KPLT	HOSE CLAMP ASSY
6	31726	FLEX.MOT.ROUE AV./POMP.	SCHLAUCH	HOSE
7	31727	FLEX.MOT.ROUE AV./AR.	SCHLAUCH	HOSE
8	31728	FLEX.MOT.ROUE AR./POMP.	SCHLAUCH	HOSE
9	31731	FLEX.ASPI.POMPE T.A.	SCHLAUCH	HOSE
10	31734	FLEX.DRAIN POMPE T.A.	SCHLAUCH	HOSE



# A180/14

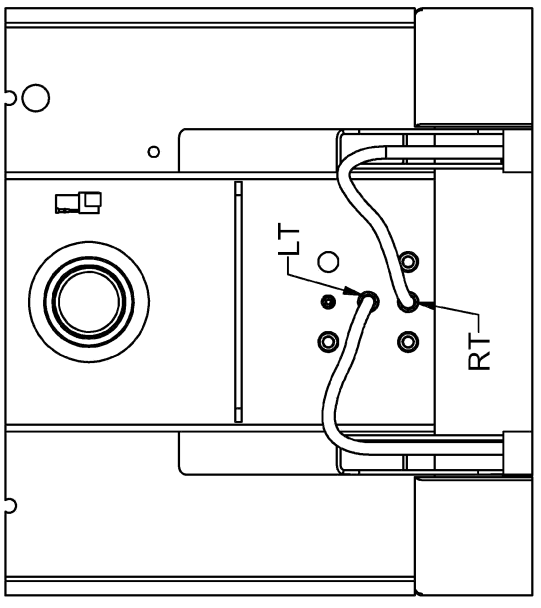
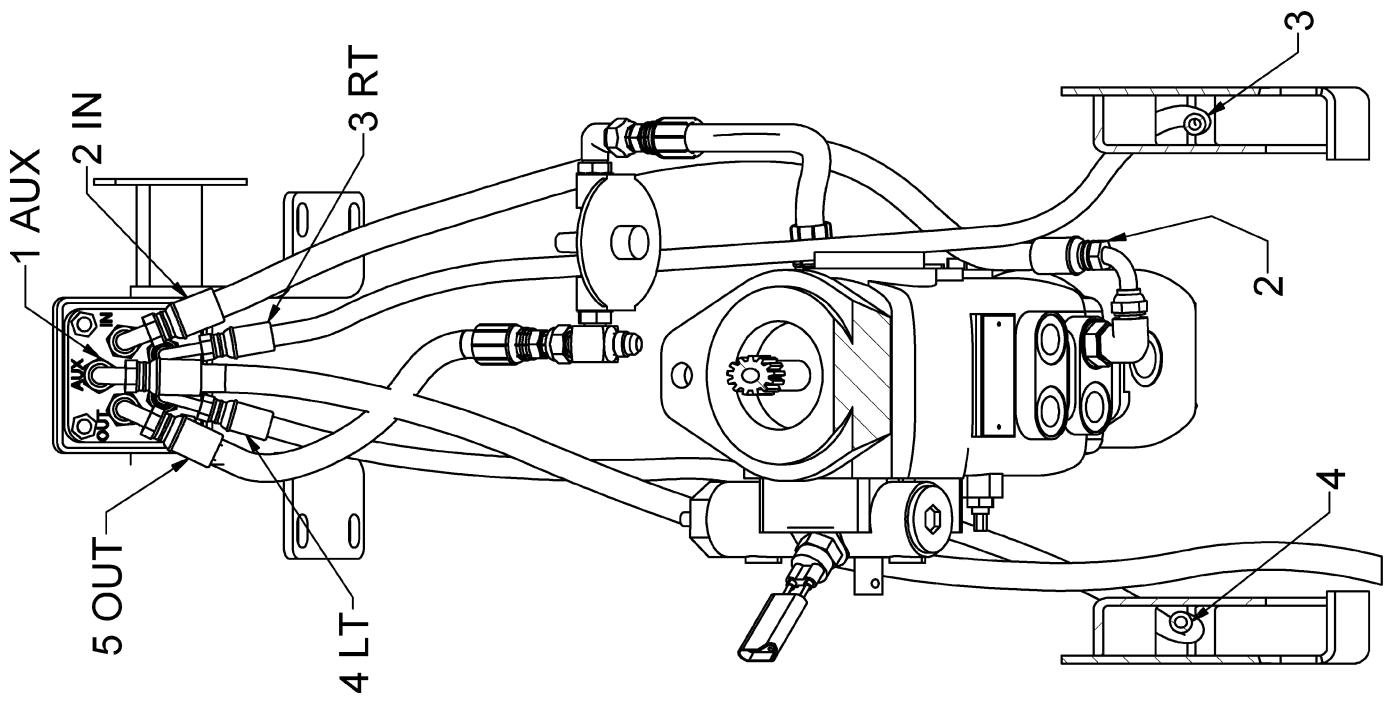
REPERE	REF.	F	D	E
1	31988	GOUPILLE 3/16-1,5	SPLINT 3/16-1,5	PIN 3/16-1,5
2	31778	VIS 3/8-16x1	SCHRAUBE 3/8-16x1	SCREW 3/8-16x1
3	31777	VIS 1/4-20x2,25	SCHRAUBE 1/4-20x2,25	SCREW 1/4-20x2,25
4	31772	VIS 1/2-13x1,5	SCHRAUBE 1/2-13x1,5	SCREW 1/2-13x1,5
5	33004	VIS M10-40x1,5	SCHRAUBE M10-40x1,5	SCREW M10-40x1,5
6	33019	ECROU AUTOFR. 10-120	STOPMUTTER 10-120	STOP NUT 10-120
7	31877	RONDELLE 1/2" STD	SCHEIBE 1/2" STD	WASHER 1/2" STD
8	31823	RONDELLE GROWER 1/2"	FEDERSCHEIBE 1/2"	LOCK WASHER 1/2"
9	33024	RONDELLE GROWER 1/4"	FEDERSCHEIBE 1/4"	LOCK WASHER 1/4"
10	31826	RONDELLE GROWER 3/8"	FEDERSCHEIBE 3/8"	LOCK WASHER 3/8"
11	31986	ADAPTATEUR 10MJ/12MB90	ADAPTER 10MJ/12MB90	ADAPTER 10MJ/12MB90
12	31949	ADAPTATEUR 8MB/8MJ45	ADAPTER 8MB/8MJ45	ADAPTER 8MB/8MJ45
13	31984	ADAPTATEUR 6MJ/8MB90	ADAPTER 6MJ/8MB90	ADAPTER 6MJ/8MB90
14	31987	ADAPTATEUR 12MJ/16MB90	ADAPTER 12MJ/16MB90	ADAPTER 12MJ/16MB90
15	31985	ADAPTATEUR 12MJ/8MB	ADAPTER 12MJ/8MB	ADAPTER 12MJ/8MB
16	31948	ADAPTATEUR 8MJ/8MB	ADAPTER 8MJ/8MB	ADAPTER 8MJ/8MB
17	33039	GRAISSEUR 1/4-28 90°	SCHMIERNIPPEL	GREASE NIPPEL
18	31947	BAGUE	BÜCHSE	BUSH
19	33064	CARTER	GEHÄUSE	CRANKCASE
20	31943	ACCOUPEMENT	FLANSCH	COUPLING
21	33200	SUPPORT CONTACTEUR	SCHALTER HALTERUNG	SWITCH BRACKET
22	33201	ENTRETOISE	HÜLSE	SPACER
23	33206	SUPPORT PEDALE	HALTERUNG	FOOT PEDAL BRACKET
24	33207	LEVIER TRANS.AVANCE	HEBEL	LEVER
25	33210	BUTEE CONTACT.SECURITE	SICHER.SCHALTER ANSCHL	SAFETY SWITCH STOP
26	33143	JOINT TORIQUE	O-RING	O-RING
27	33130	POMPE DE LAMES	MESSERANTRIEBSPUMPE	PUMP DECK DRIVE
28	31944	POMPE TRANSMISSION	ANTRIEBSPUMPE	PROPULSION PUMP
29	33265	VIS	SCHRAUBE	SCREW
30	33266	RONDELLE	SCHEIBE	WASHER



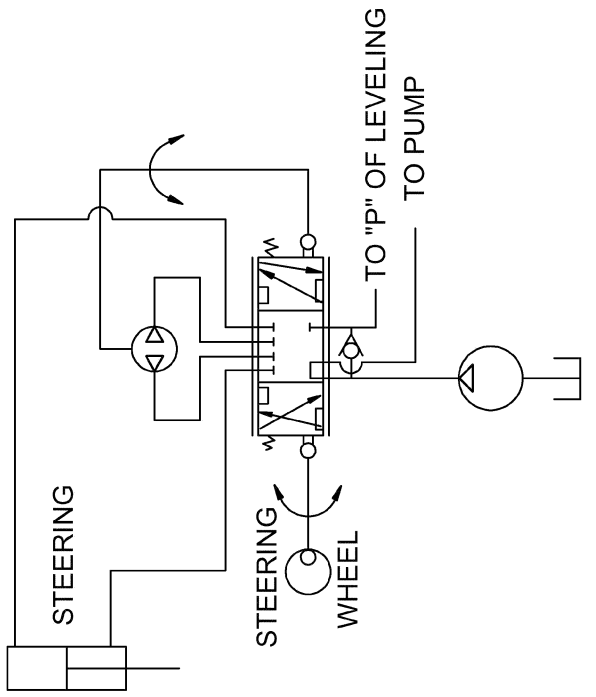
# A180/15

REPERE	REF.	F	D	E
1	31824	VIS M10x1,5x20	SCHRAUBE M10x1,5x20	SCREW M10x1,5x20
2	31768	VIS 3/8-16x1	SCHRAUBE 3/8-16x1	SCREW 3/8-16x1
3	31920	VIS 1/4-20x50	SCHRAUBE 1/4-20x50	SCREW 1/4-20x50
4	33017	ECROU 5/16-24	MUTTER 5/16-24	NUT 5/16-24
5	33022	ECROU 3/8-16	MUTTER 3/8-16	NUT 3/8-16
6	31825	RONDELLE GROWER 7/16"	FEDERSCHEIBE 7/16"	LOCK WASHER 7/16"
7	31918	ADAPTATEUR 6MJ/6MJ/6MB	ADAPTER 6MJ/6MJ/6MB	ADAPTER 6MJ/6MJ/6MB
8	33032	ADAPTATEUR 4MJ/4MJ	ADAPTER 4MJ/4MJ	ADAPTER 4MJ/4MJ
9	31919	ADAPTATEUR 6MJ/6MB90	ADAPTER 6MJ/6MB90	ADAPTER 6MJ/6MB90
10	33034	ADAPTATEUR 4MJ/4MB90	ADAPTER 4MJ/4MB90	ADAPTER 4MJ/4MB90
11	31968	CARTOUCHE FILTRE	FILTREINSATZ	FILTER CARTRIDGE
12	31921	VERIN DE DIRECTION	LENKUNGSZYLINDER	STEERING CYLINDER
13	31915	COLONNE DE DIRECTION	LENKSÄULE	STEERING COLUMN
14	31916	ORBITROL DE DIRECTION	LENKUNGSORBITROL	STEERING PUMP
15	31914	VOLANT DE DIRECTION	LENKRAD	STEERING WHEEL
16	33077	SUPPORT FILTRE HUILE	ÖLFILTERHALTERUNG	OIL FILTER BRACKET
17	33104	SUPPORT ORBITROL	ORBITROLHALTERUNG	STEERING PUMP BRACKET
18	31709	FLEX.VERIN DIR. (TIGE)	SCHLAUCH	HOSE
19	31710	FLEX.VERIN DIR. (FUT)	SCHLAUCH	HOSE
20	31736	FLEX.FILTRE/DIR.	SCHLAUCH	HOSE
21	31917	TETE FILTRE GAVAGE	FILTERKOPF	FILTER HEAD
22	33256	ECROU	MUTTER	NUT

# STEERING SYSTEM



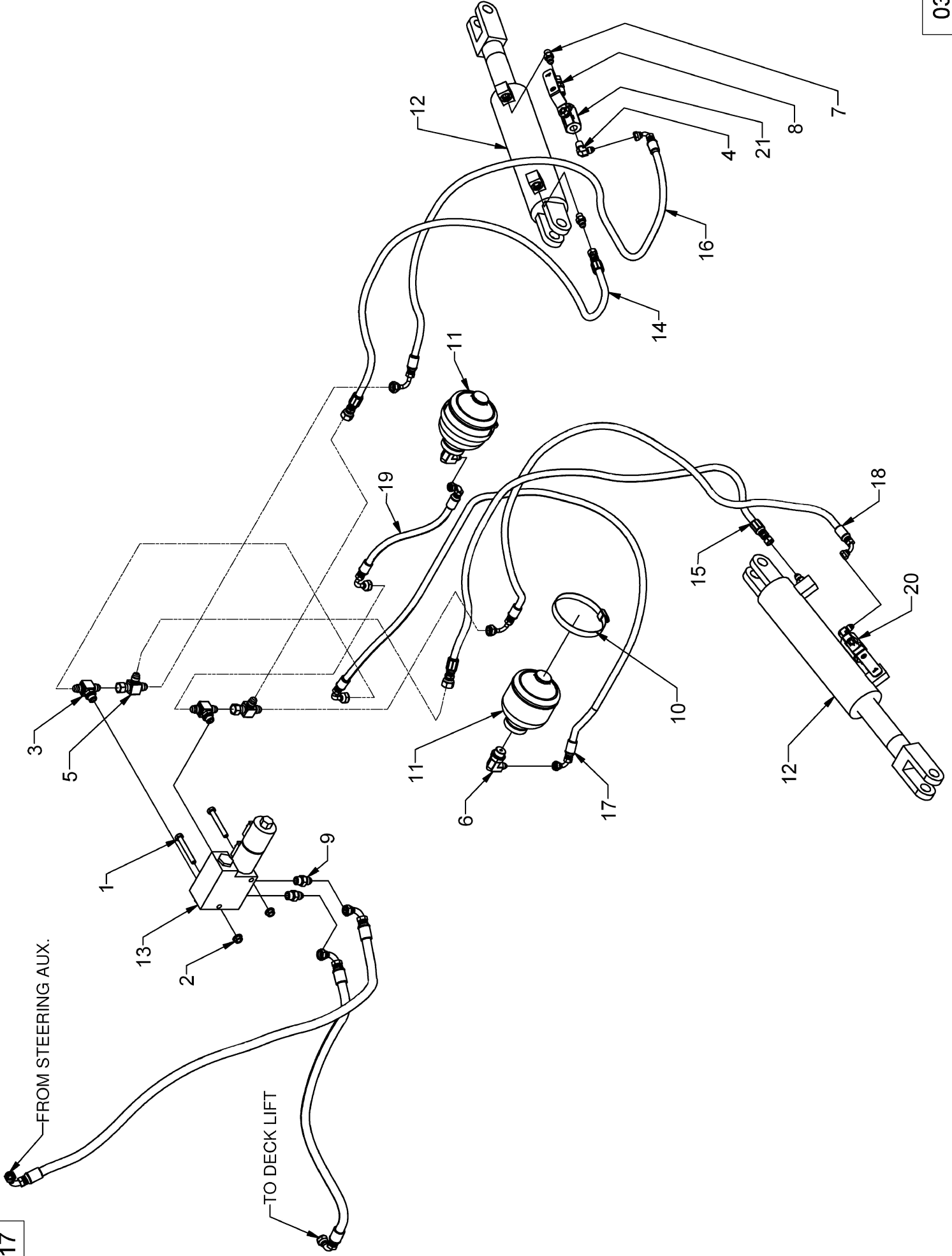
VIEW FROM BOTTOM





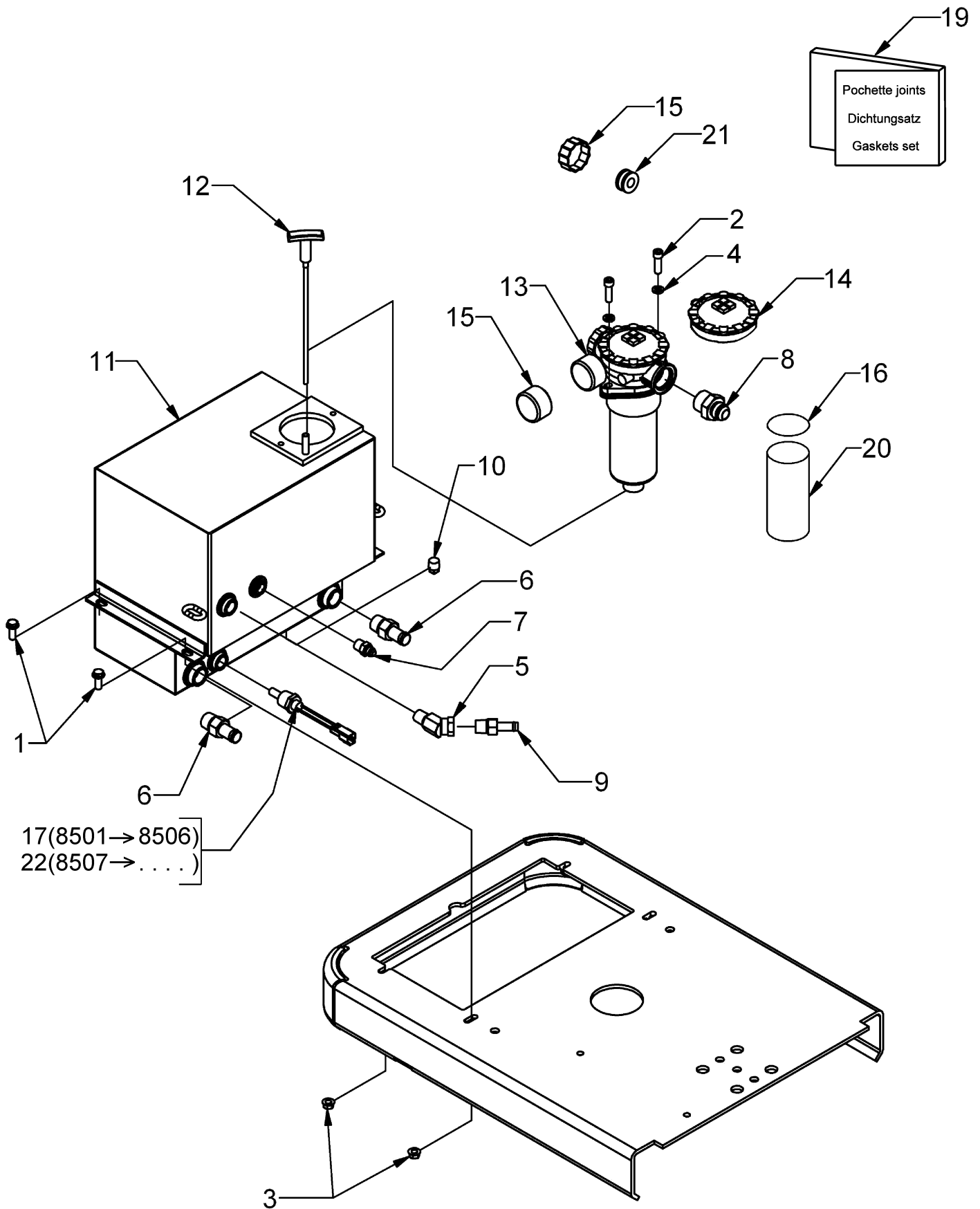
# A180/16

REPERE	REF.	F	D	E
1	31713	FLEX.ORBIAUX./HDC	SCHLAUCH	HOSE
2	31733	FLEX.POMPE TA/DIR.	SCHLAUCH	HOSE
3	31708	FLEX.ORBIA./UNION D	SCHLAUCH	HOSE
4	31707	FLEX.ORBIA./UNION G	SCHLAUCH	HOSE
5	31735	FLEX.ORBIA./FILTRE	SCHLAUCH	HOSE



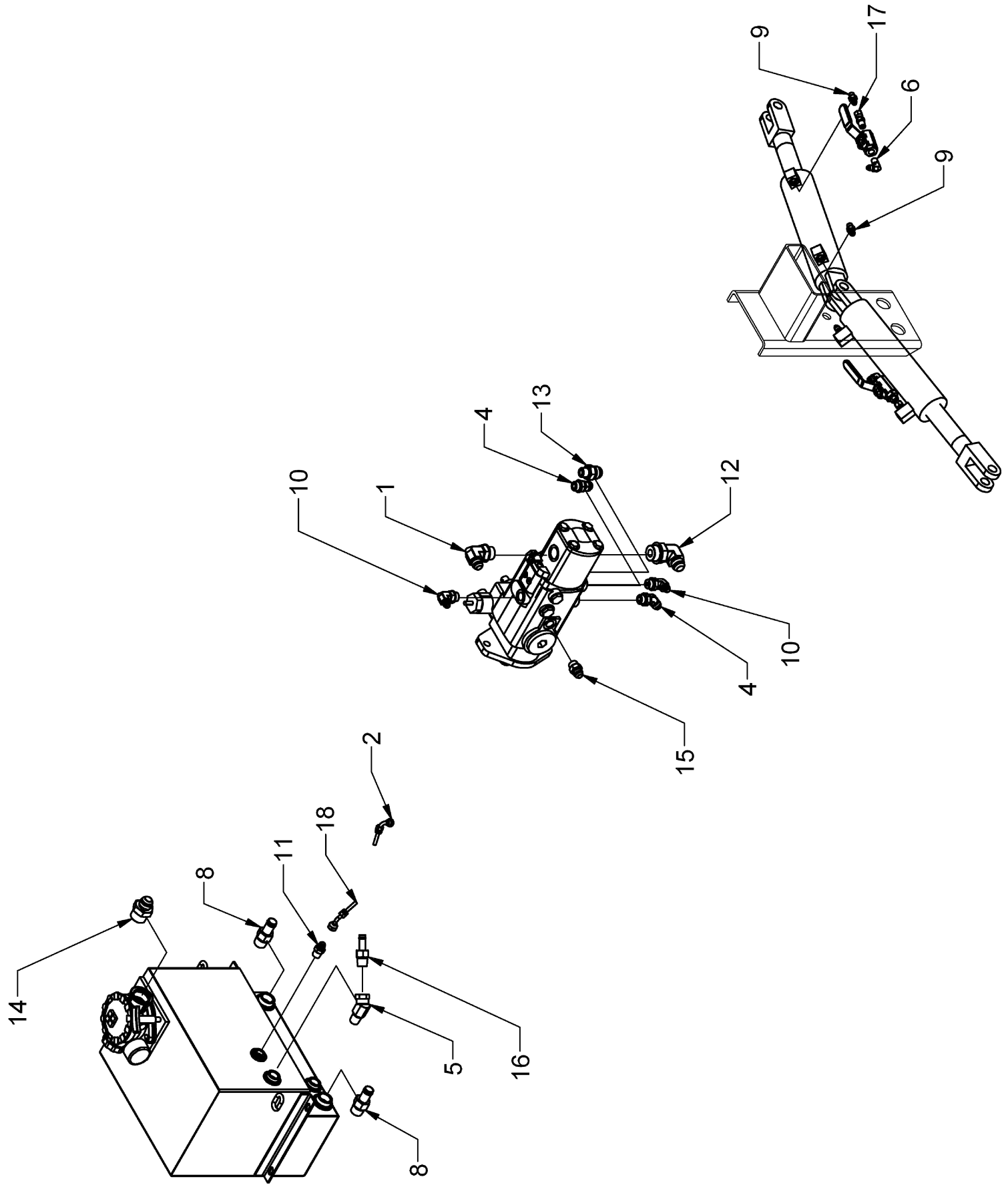
# A180/17

REPERE	REF.	F	D	E
1	33148	VIS 5/16-18x2,5	SCHRAUBE 5/16-18x2,5	SCREW 5/16-18x2,5
2	33007	ECROU	MUTTER	NUT
3	31918	ADAPTATEUR 6MJ/6MJ/6MB	ADAPTER 6MJ/6MJ/6MB	ADAPTER 6MJ/6MJ/6MB
4	33158	ADAPTATEUR 4MJ/4MP90	ADAPTER 4MJ/4MP90	ADAPTER 4MJ/4MP90
5	33159	ADAPTATEUR 6MJ/6FJX/6MJ	ADAPTER 6MJ/6FJX/6MJ	ADAPTER 6MJ/6FJX/6MJ
6	33160	ADAPTATEUR 4MJ/8MB90	ADAPTER 4MJ/8MB90	ADAPTER 4MJ/8MB90
7	33161	ADAPTATEUR 4MJ/4MB	ADAPTER 4MJ/4MB	ADAPTER 4MJ/4MB
8	33163	ADAPTATEUR 4FJX/4MP	ADAPTER 4FJX/4MP	ADAPTER 4FJX/4MP
9	31933	ADAPTATEUR 6MJ-6MB	ADAPTER 6MJ-6MB	ADAPTER 6MJ-6MB
10	33169	COLLIER	KLAMMER	CLAMP
11	33171	ACCUMULATEUR	HYD.SPEICHER	ACCUMULATOR
12	31870	VERIN STABILISATEUR	STABILISATOR ZYLINDER	STAB. CYLINDER
13	31924	DISTRIBUTEUR	VERTEILER	DISTRIBUTOR
14	31715	FLEX.C1/VERIN D.(FÛT)	SCHLAUCH	HOSE
15	31716	FLEX.C2/VERIN G.(FÛT)	SCHLAUCH	HOSE
16	31717	FLEX.C2/ACCU. GAUCHE	SCHLAUCH	HOSE
17	31718	FLEX.C2/VERIN D.(TIGE)	SCHLAUCH	HOSE
18	31719	FLEX.C1/VERIN G.(TIGE)	SCHLAUCH	HOSE
19	31721	FLEX.C1/ACCU. DROIT	SCHLAUCH	HOSE
20	33214	VANNE GAUCHE	LINKER HAHN	LEFT VALVE
21	33215	VANNE DROITE	RECHTER HAHN	RIGHT VALVE



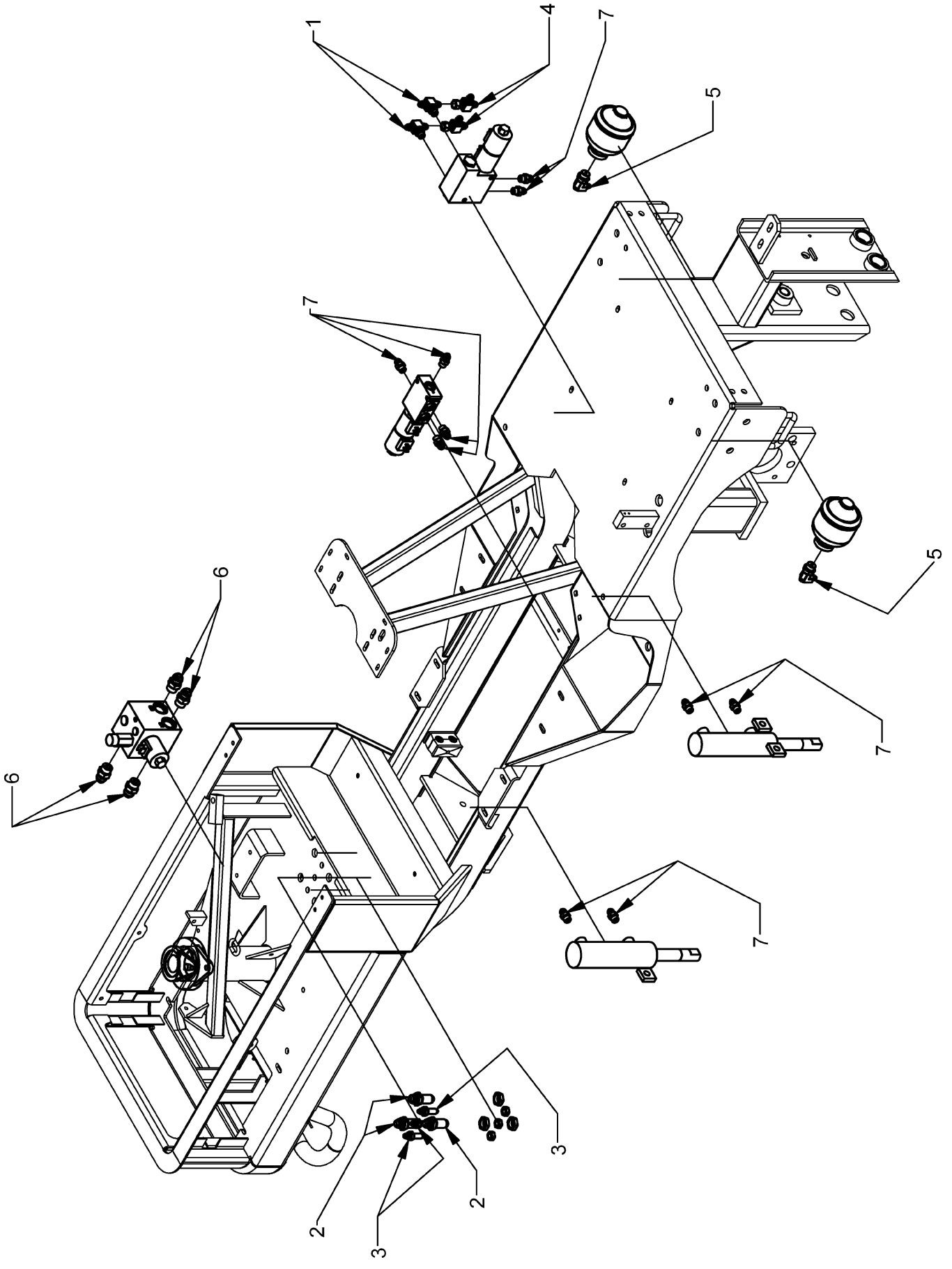
# A180/18

REPERE	REF.	F	D	E
1	31768	VIS 3/8-16x1	SCHRAUBE 3/8-16x1	SCREW 3/8-16x1
2	31765	VIS 3/8-16x1,25	SCHRAUBE 3/8-16x1,25	SCREW 3/8-16x1,25
3	33022	ECROU 3/8-16	MUTTER 3/8-16	NUT 3/8-16
4	31826	RONDELLE GROWER 3/8"	FEDERSCHEIBE 3/8"	LOCK WASHER 3/8"
5	31940	ADAPTATEUR 8MP/8FPX45	ADAPTER 8MP/8FPX45	ADAPTER 8MP/8FPX45
6	31937	ADAPTATEUR 12BH/12MP	ADAPTER 12BH/12MP	ADAPTER 12BH/12MP
7	31941	ADAPTATEUR 6MJ/8MP90	ADAPTER 6MJ/8MP90	ADAPTER 6MJ/8MP90
8	31936	ADAPTATEUR 12MJ/16MB	ADAPTER 12MJ/16MB	ADAPTER 12MJ/16MB
9	31939	ADAPTATEUR 8BH/8MP	ADAPTER 8BH/8MP	ADAPTER 8BH/8MP
10	31942	BOUCHON RESERV. HYD.	ÖLTANKDECKEL	PLUG
11	31934	RESERVOIR HUILE HYD.	ÖLTANK	OIL TANK
12	31978	JAUGE HUILE HYD.	HYD.ÖLMASSTAB	HYD. OIL GAUGE
13	31935	FILTRE HYDR. CPLT	HYD.ÖLFILTER KPLT	HYD. FILTER CPLT
14	33141	COUVERCLE FILTRE	FILTER DECKEL	FILTER COVER
15	33142	PROTECTION FILTRE AIR	LUFTFILTER SCHUTZKAP.	AIR FILTER PROTECTION
16	33143	JOINT TORIQUE	O-RONG	O-RING
17	31938	CAPTEUR T°HUILE 90°C	ÖLTEMPERATURFÜHLER 90°C	OIL TEMP SWITCH 90°C
18	33138	INDICATEUR COLMATAGE	VERSTOPF ANZEIGE	COLMAT.INDICATOR
19	33139	POCHETTE DE JOINTS	DICHTUNGSATZ	GASKETS SET
20	31959	CARTOUCHE HUILE	FILTEREINSATZ	FILTER CARTRIDGE
21	31960	CARTOUCHE AIR	LUFTFILTER EINSATZ	AIR CARTRIDGE
22	33257	CAPTEUR T°HUILE 110°C	ÖLTEMPERATURFÜHLER 110°C	OIL TEMP SWITCH 110°C



# A180/19

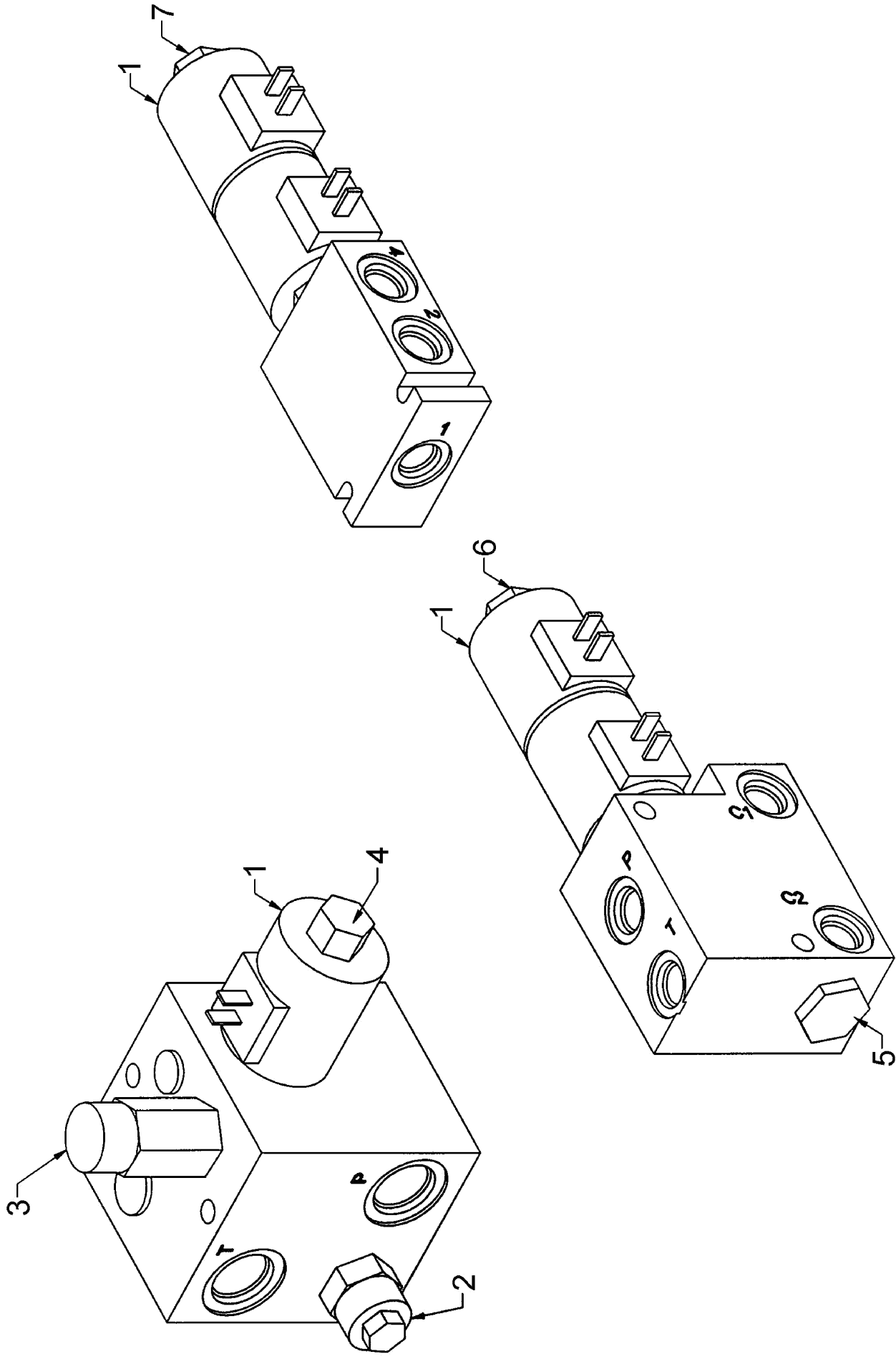
REPERE	REF.	F	D	E
1	31986	ADAPTATEUR 10MJ/12MB90	ADAPTER 10MJ/12MB90	ADAPTER 10MJ/12MB90
2	33156	ADAPTATEUR 4G/4FJX90M	ADAPTER 4G/4FJX90M	ADAPTER 4G/4FJX90M
4	31949	ADAPTATEUR 8MB/8MJ45	ADAPTER 8MB/8MJ45	ADAPTER 8MB/8MJ45
5	31940	ADAPTATEUR 8MP/8FPX45	ADAPTER 8MP/8FPX45	ADAPTER 8MP/8FPX45
6	33158	ADAPTATEUR 4MJ/4MP90	ADAPTER 4MJ/4MP90	ADAPTER 4MJ/4MP90
8	31937	ADAPTATEUR 12BH/12MP	ADAPTER 12BH/12MP	ADAPTER 12BH/12MP
9	33161	ADAPTATEUR 4MJ/4MB	ADAPTER 4MJ/4MB	ADAPTER 4MJ/4MB
10	31984	ADAPTATEUR 6MJ/8MB90	ADAPTER 6MJ/8MB90	ADAPTER 6MJ/8MB90
11	31941	ADAPTATEUR 6MJ/6MP	ADAPTER 6MJ/6MP	ADAPTER 6MJ/6MP
12	31987	ADAPTATEUR 12MJ/16MB90	ADAPTER 12MJ/16MB90	ADAPTER 12MJ/16MB90
13	31985	ADAPTATEUR 12MJ/8MB	ADAPTER 12MJ/8MB	ADAPTER 12MJ/8MB
14	31936	ADAPTATEUR 12MJ/16MB90	ADAPTER 12MJ/16MB90	ADAPTER 12MJ/16MB90
15	31948	ADAPTATEUR 8MJ/8MB	ADAPTER 8MJ/8MB	ADAPTER 8MJ/8MB
16	31939	ADAPTATEUR 8BH/8MP	ADAPTER 8BH/8MP	ADAPTER 8BH/8MP
17	33163	ADAPTATEUR 4FJX/4MP	ADAPTER 4FJX/4MP	ADAPTER 4FJX/4MP
18	33164	ADAPTATEUR 4C2-6FJX45	ADAPTER 4C2-6FJX45	ADAPTER 4C2-6FJX45





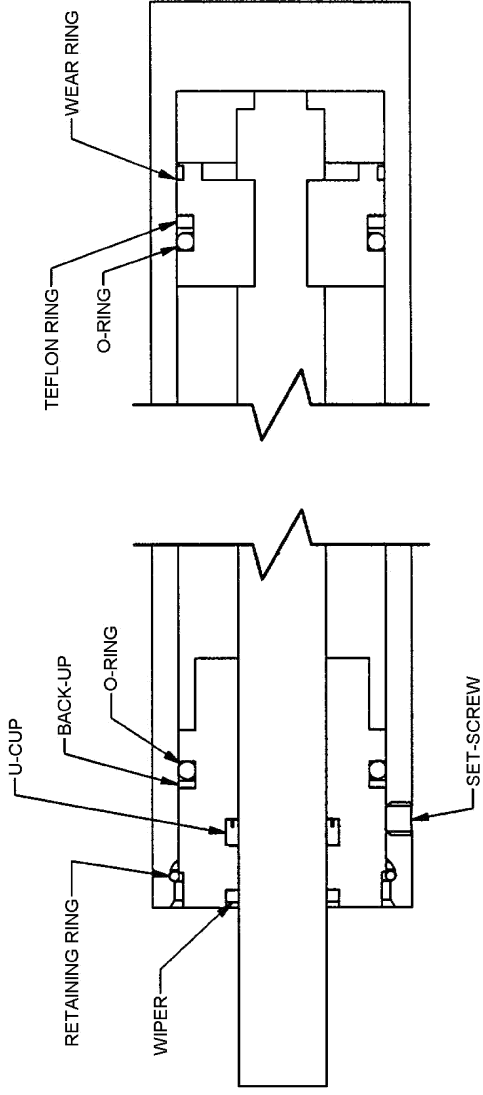
# A180/20

REPERE	REF.	F	D	E
1	31918	ADAPTATEUR 6MJ/6MJ/6MB	ADAPTER 6MJ/6MJ/6MB	ADAPTER 6MJ/6MJ/6MB
2	33157	ADAPTATEUR 8MJ/8MJ	ADAPTER 8MJ/8MJ	ADAPTER 8MJ/8MJ
3	33032	ADAPTATEUR 4MJ/4MJ	ADAPTER 4MJ/4MJ	ADAPTER 4MJ/4MJ
4	33159	ADAPTATEUR 6MJ/6FJX/6MJ	ADAPTER 6MJ/6FJX/6MJ	ADAPTER 6MJ/6FJX/6MJ
5	33160	ADAPTATEUR 4MJ/8MB90	ADAPTER 4MJ/8MB90	ADAPTER 4MJ/8MB90
6	33162	ADAPTATEUR 10MJ/10MB	ADAPTER 10MJ/10MB	ADAPTER 10MJ/10MB
7	31933	ADAPTATEUR 6MJ/6MB	ADAPTER 6MJ/6MB	ADAPTER 6MJ/6MB

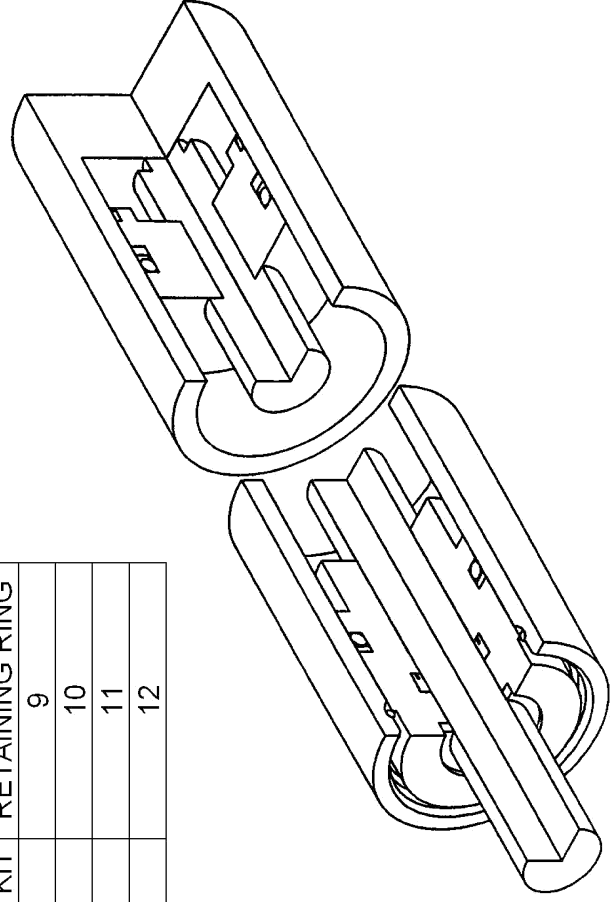


# A180/21

REPERE	REF.	F	D	E
1	33124	BOBINE HDC	SCHNITTHÖHESULE	DECK VALVE COIL
2	33125	VALVE EQUILIB.LAME	AUSGLEICHVENTIL	VALVE
3	33126	CLAPET PRESS.LAME	DRUCKVENTIL	PRESSURE VALVE
4	33127	TIROIR LAMES	STEUERSCHIEBER	DECK VALVE SPOOL
5	33258	CLAPET	VENTIL	VALVE
6	33128	TIROIR	STEUERSCHIEBER	SPOOL
7	33269	TIROIR	STEUERSCHIEBER	SPOOL

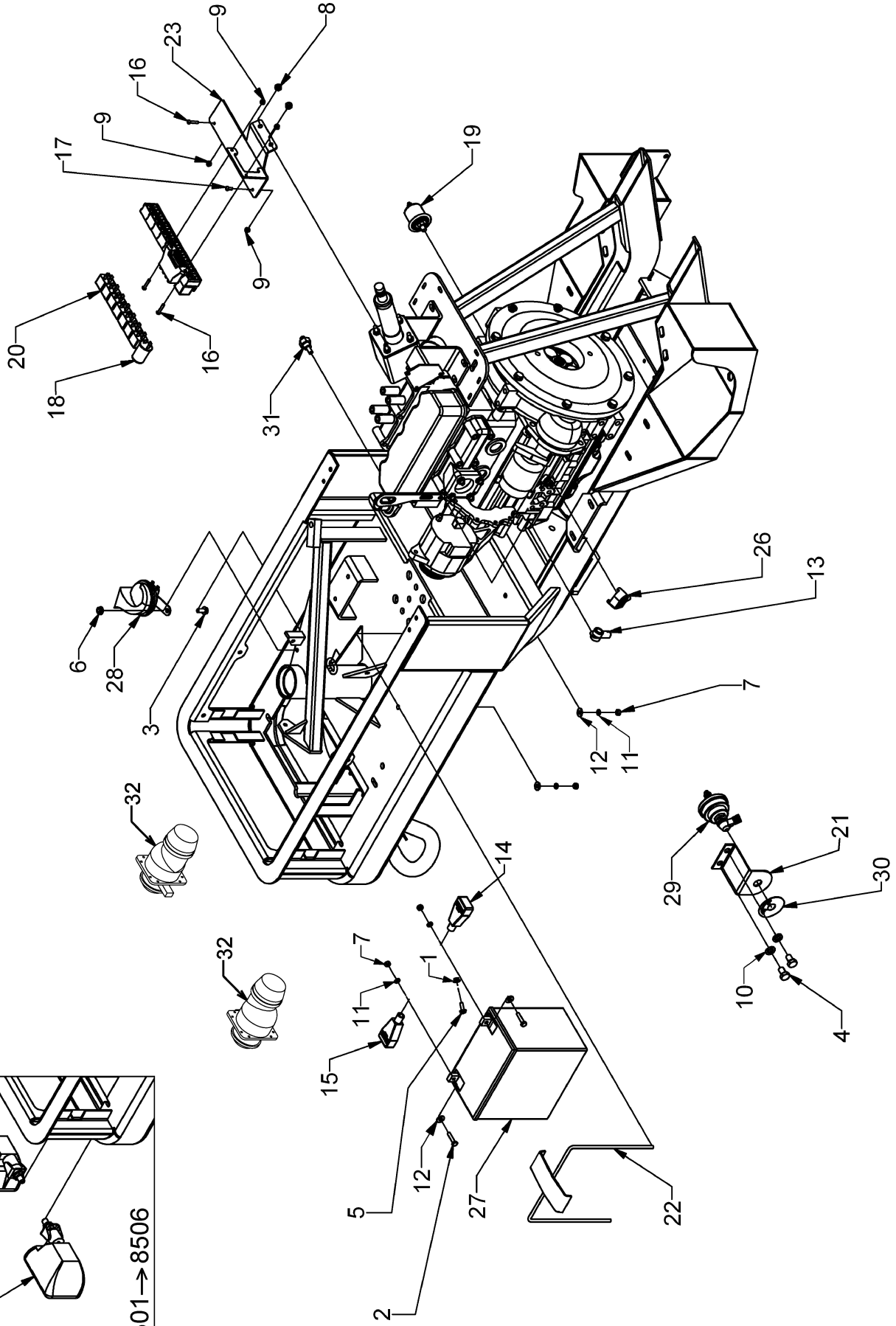
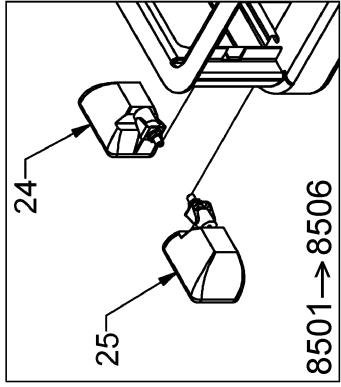


CYLINDER / PART NUMBER	SEAL KIT	RETAINING RING
FRONT DECK LIFT	1	5
REAR DECK LIFT	2	6
LEVELING	3	7
STEERING	4	8
		9
		10
		11
		12



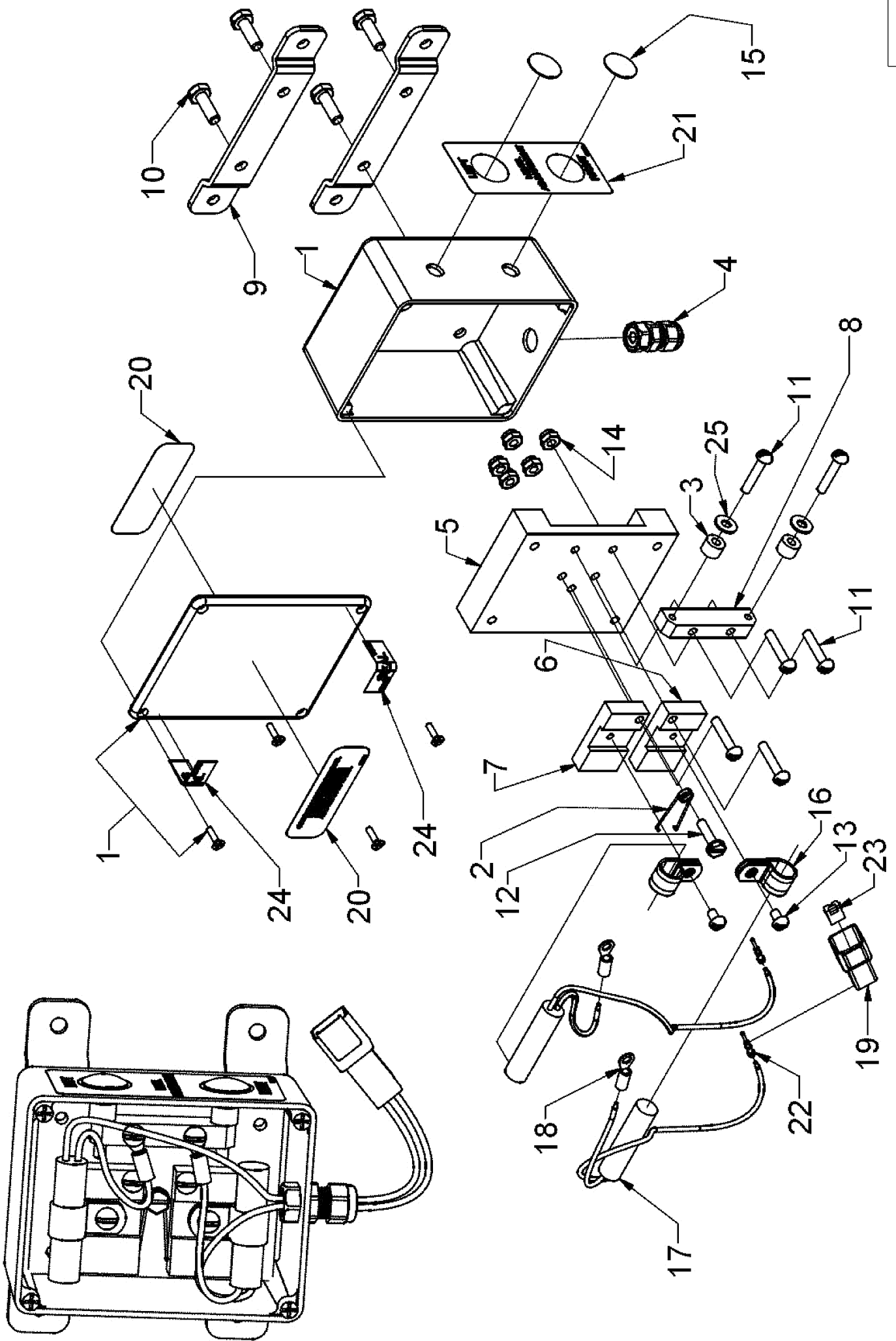
# A180/22

REPERE	REF.	F	D	E
1	31929	VERIN HDC AVANT	VORD.SCHNITTHÖH.ZYL.	FR.CUT.HGT. CYLINDER
2	31928	VERIN HDC ARRIERE	HINT.SCHNITTHÖH.ZYL.	REAR CUT.HGT. CYLINDER
3	31870	VERIN STABILISATEUR	STABILISATOR ZYLINDER	STAB. CYLINDER
4	31921	VERIN DE DIRECTION	LENKUNGSZYLINDER	STEERING CYLINDER
5	33133	KIT JOINT VERIN HDC AV.	DICHTUNGSATZ	SEAL KIT
6	31930	KIT JOINT VERIN HDC AR.	DICHTUNGSATZ	SEAL KIT
7	31926	KIT JOINT VERIN STAB.	DICHTUNGSATZ	SEAL KIT
8	31922	KIT JOINT VERIN DIRECTION	DICHTUNGSATZ	SEAL KIT
9	31931	JONC DE VERIN HDC AV.	SICHERUNGSRING	RETAINING RING
10	31932	JONC DE VERIN HDC AR.	SICHERUNGSRING	RETAINING RING
11	31927	JONC DE VERIN STAB.	SICHERUNGSRING	RETAINING RING
12	31923	JONC DE ERVIN	SICHERUNGSRING	RETAINING RING



# A180/23

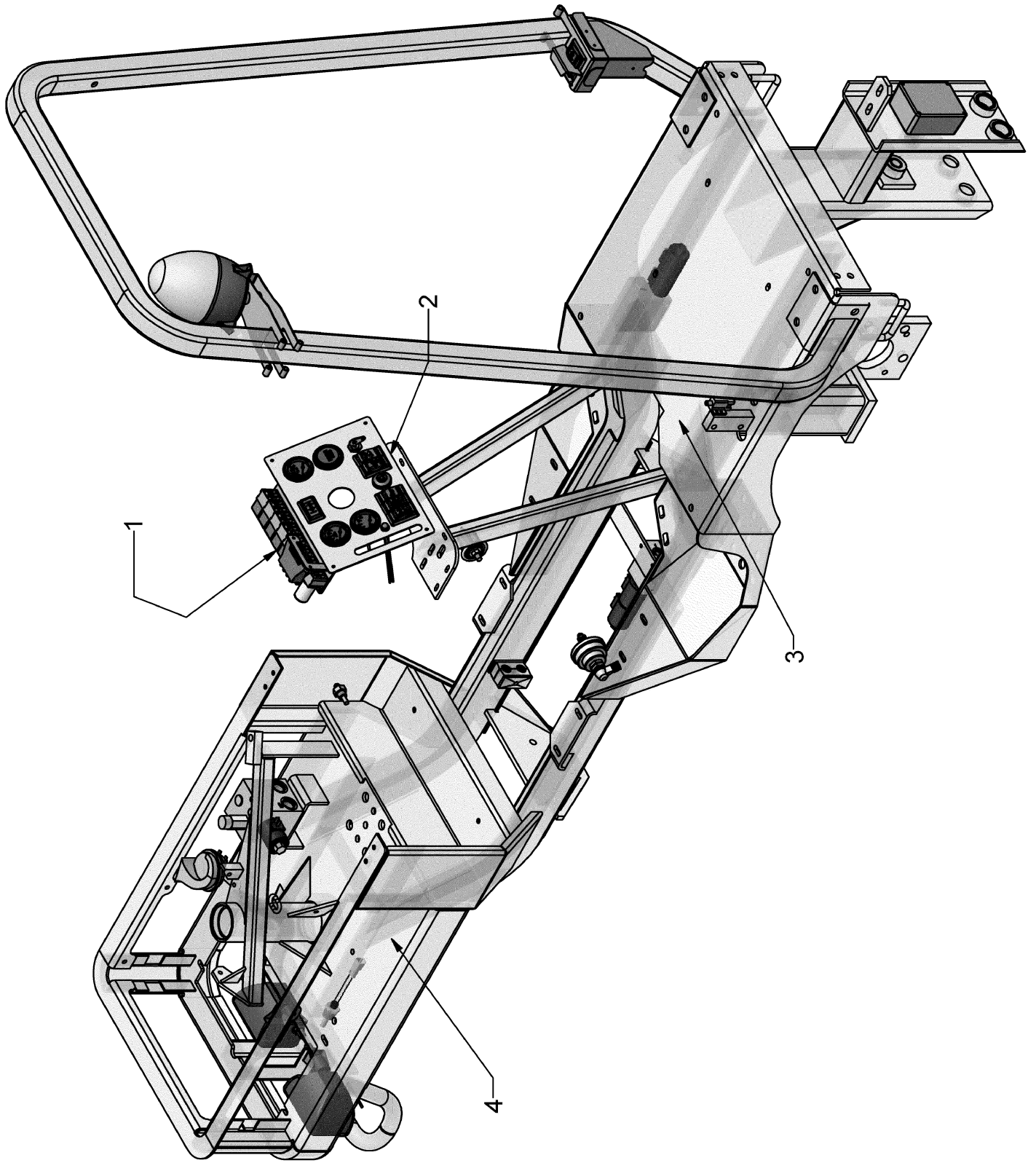
REPERE	REF.	F	D	E
1	31795	ECROU	MUTTER	NUT
2	31771	VIS 1/4-20x1,25	SCHRAUBE 1/4-20x1,25	SCREW 1/4-20x1,25
3	31851	VIS 5/16-18x0,75	SCHRAUBE 5/16-18x0,75	SCREW 5/16-18x0,75
4	31817	VIS M12x1,75x20 12.9	SCHRAUBE M12x1,75x20	SCREW M12x1,75x20 12.9
5	33000	VIS 1/4-20x10,75	SCHRAUBE 1/4-20x10,75	SCREW 1/4-20x10,75
6	33007	ECROU 5/16-18	MUTTER 5/16-18	NUT 5/16-18
7	33009	ECROU 1/4-20	MUTTER 1/4-20	NUT 1/4-20
8	33017	ECROU 5/16-24	MUTTER 5/16-24	NUT 5/16-24
9	33020	ECROU AUTOFR. 10-24	STOPMUTTER 10-24	STOP NUT 10-24
10	31823	RONDELLE GROWER 1/2"	FEDERSCHEIBE 1/2"	LOCK WASHER 1/2"
11	33024	RONDELLE GROWER 1/4"	FEDERSCHEIBE 1/4"	LOCK WASHER 1/4"
12	33025	RONDELLE 1/4" STD	SCHEIBE 1/4" STD	WASHER 1/4" STD
13	33035	CAPUCHON ISOLANT	ISOLIERDECKEL	INSULATOR CAP
14	33036	CAPUCHON ISOL. ROUGE	ISOLIERDECKEL ROT	INSULATOR CAP RED
15	33037	CAPUCHON ISOL. NOIR	ISOLIERDECKEL SCHW.	INSULATOR CAP BLACK
16	33040	VIS 10-20x1 RHMS	SCHRAUBE 10-20x1 RHMS	SCREW 10-20x1 RHMS
17	33045	VIS 10-24x0,5 RHMS	SCHRAUBE 10-24x0,5 RHMS	SCREW 10-24x0,5 RHMS
18	33173	CENTRALE CLIGNOTANTE	BLINKERZENTRALE	BLINKER UNIT
19	31751	CAPTEUR HUILE MOTEUR	ÖL THERMOSCHALTER	OIL PRESSURE SENDER
20	33176	RELAIS	RELAIS	RELAY
21	33075	SUPPORT COUP.BATT.	BATTERIEABSCHALTER	BATT. SWITCH BRACKET
22	33099	BRIDE FIXATION BATTERIE	BAT.BEFESTIGUNG	BATTERY HOLDER
23	33208	SUPPORT	HALTERUNG	BRACKET
24	33110	PROJECT.TRAV.AV. DROIT	SCHWEINWERFER RECHTS	HEADLIGHT RIGHT
25	33111	PROJECT.TRAV.AV. GCH	SCHWEINWERFER LINKS	HEADLIGHT LEFT
26	33112	ISOL.BORNE DEMARREUR	ISOLIERUNG	STARTER COVER
27	33218	BATTERIE	BATTERIE	BATTERY
28	31753	AVERTISSEUR SONORE	HUPE	HORN
29	31750	COUPE BATTERIE	HAUPTSCHALTER	BATTERY FUSE
30	33114	PLAQ.COUPÉ BATTERIE	PLATTE	PLATE
31	31752	CAPTEUR T°EAU	WASSER THERMOSCHAL.	COLL.TEMP S SWITCH
32	28689	FEUX	SCHWEINWERFER	HEADLIGHT





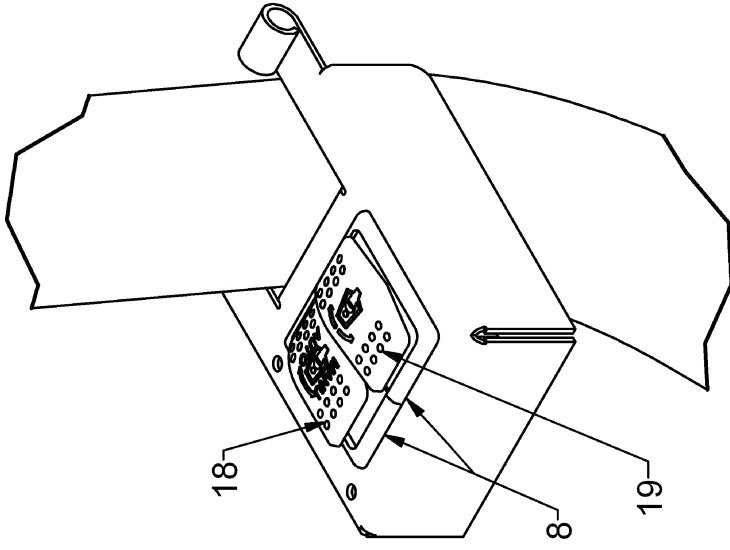
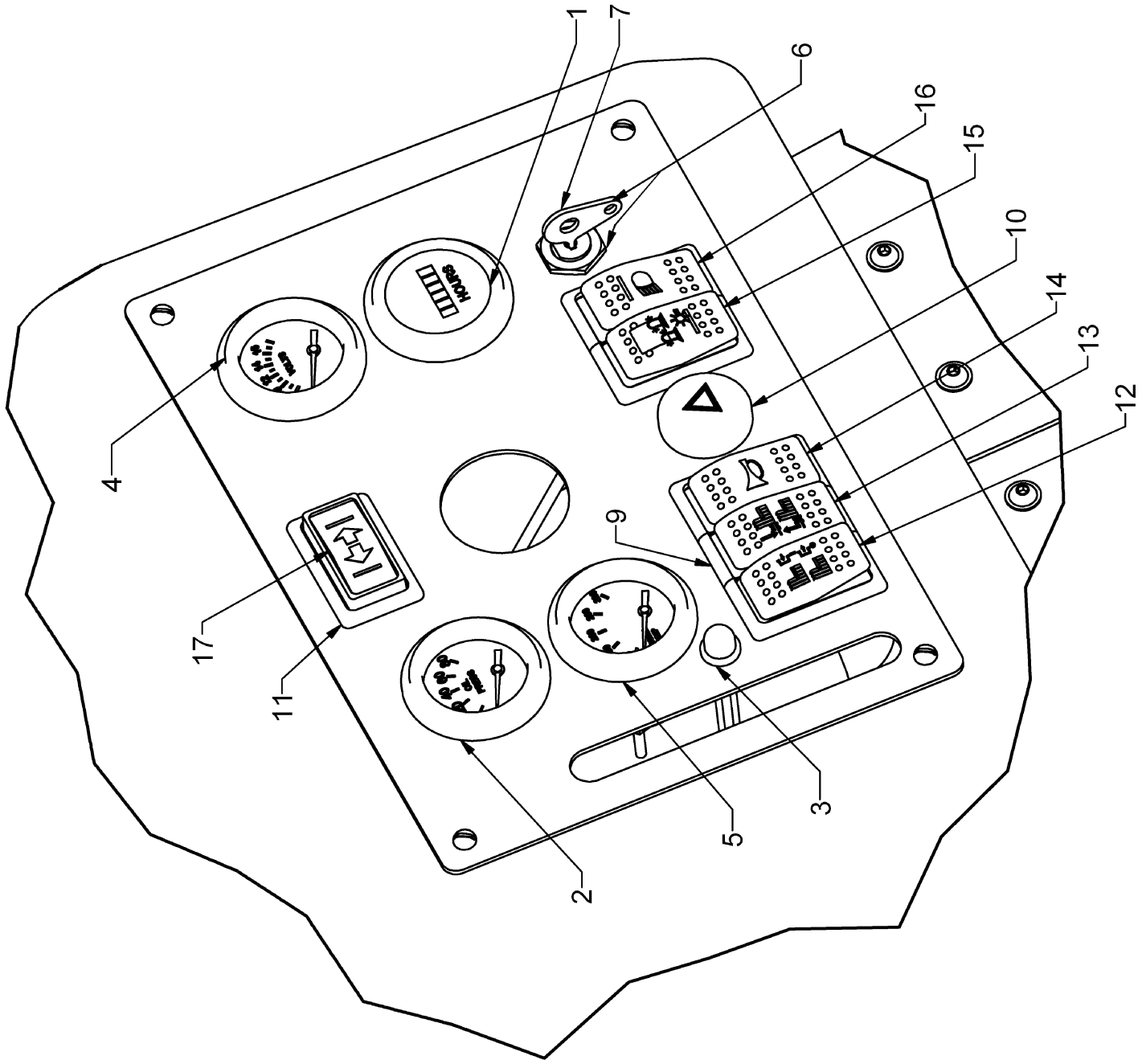
# A180/24

REPERE	REF.	F	D	E
1	33179	COFFRET + COUVERCLE	KOFFER + DECKEL	CRANK + COVER
2	33180	RESSORT	FEDER	SPRING
3	33181	BUTEE ELASTIQUE	GUMMI ANSCHLAG	RUBBER STOP
4	33182	PRESSE ETOUPE	KABELSTOPFBÜCHSE	GROMMET
5	33188	SUPPORT	HALTERUNG	BRACKET
6	33189	BUTEE REGL.BAS	EINSTELL.ANSCHLAG UNTEN	ADJ.STOP BOTTOM
7	33190	BUTEE REGL.HAUT	EINSTELL.ANSCHLAG OBEN	ADJ.STOP TOP
8	33191	BUTEE VIS	SCHRAUBE ANSCHLAG	SCREW STOP
9	33192	SUPPORT BOITIER	HALTERUNG	BRACKET
10	33005	VIS 1/4-20x0,75	SCHRAUBE 1/4-20x0,75	SCREW 1/4-20x0,75
11	33040	VIS 10-24x1 RHMS	SCHRAUBE 10-24x1 RHMS	SCREW 10-24x1 RHMS
12	33155	VIS 10-24x3/4	SCHRAUBE 10-24x3/4	SCREW 10-24x3/4
13	33147	VIS 10-24x0,313	SCHRAUBE 10-24x0,313	SCREW 10-24x0,313
14	33020	ECROU AUTOFR. 10-24	STOPMUTTER 10-24	STOP NUT 10-24
15	33168	CAPUCHON	STOPFEN	PLUG
16	33166	COLLIER	KLAMMER	CLAMP
17	33132	CAPTEUR A MERCURE	QUECKSILBERSCHALTER	SWITCH MERCURY
18	33177	COSSE	STECKER	THIMBLE
19	30179	CONNECTEUR (DEUTSCH)	WEGESTECKER	CONNECTOR
20	33183	AUTOCOLLANT	AUFKLEBER	STICKER
21	33184	AUTOCOLLANT	AUFKLEBER	STICKER
22	30178	COSSE (DEUTSCH)	STECKER	THIMBLE
23	33180	CALE (DEUTSCH)	KEIL (DEUTSCH)	KEY (DEUTSCH)
24	33267	AUTOCOLLANT	AUFKLEBER	STICKER
25	33268	RONDELLE	SCHEIBE	WASHER



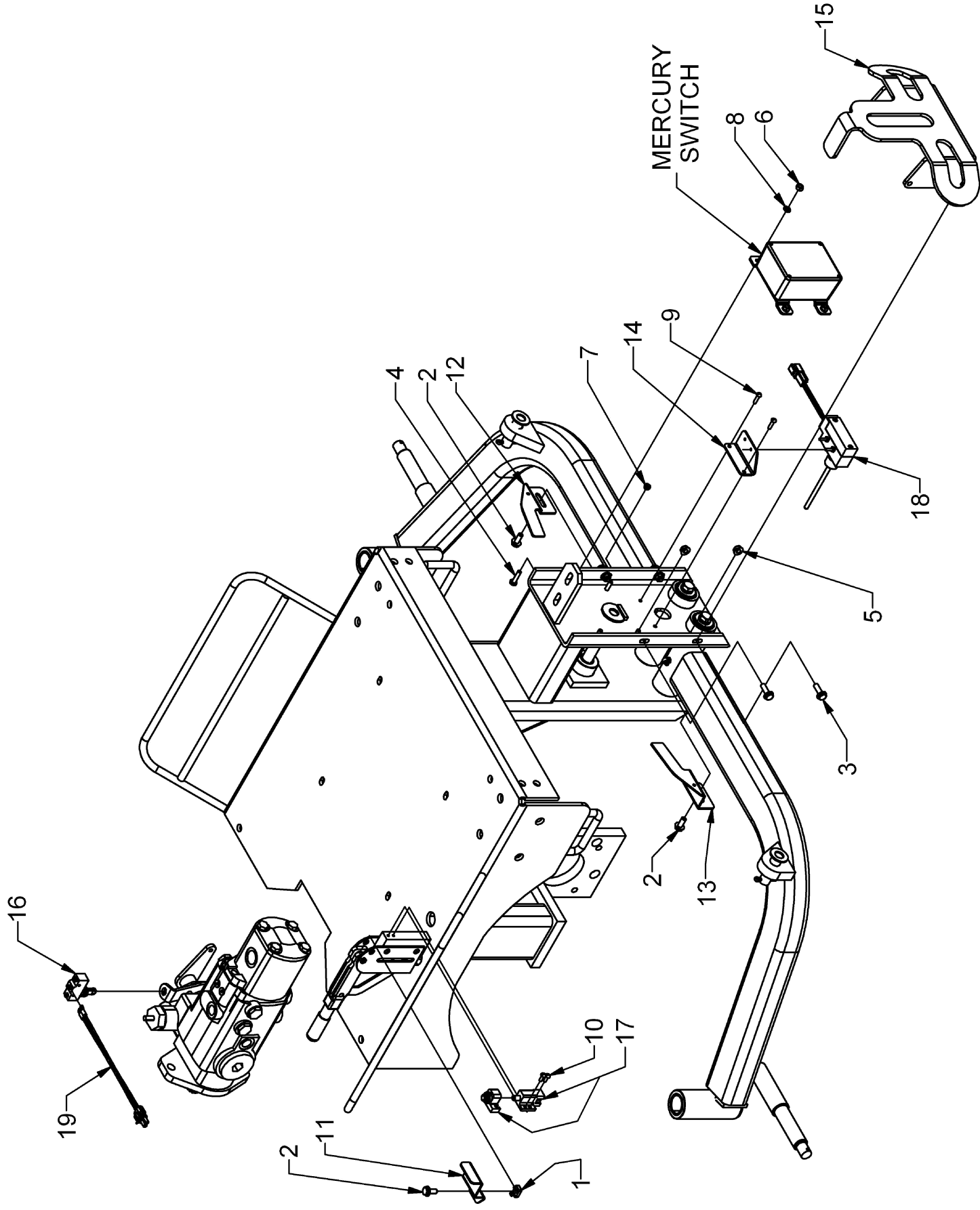
# A180/25

REPERE	REF.	F	D	E
1	33219	FAISCEAU CONNEX. RELAIS	RELAIS KABELBAUM	RELAY ELECTR. WIRING
2	33220	FAISCEAU CONSOLE	KONSOLE KABELBAUM	INSTR. PANEL WIRING
3	33221	FAISCEAU ARRIERE	KABELBAUM HINTEN	REAR ELECTRICAL WIRING
4	33222	FAISCEAU AVANT	KABELBAUM VORNE	FRONT ELECTR. WIRING



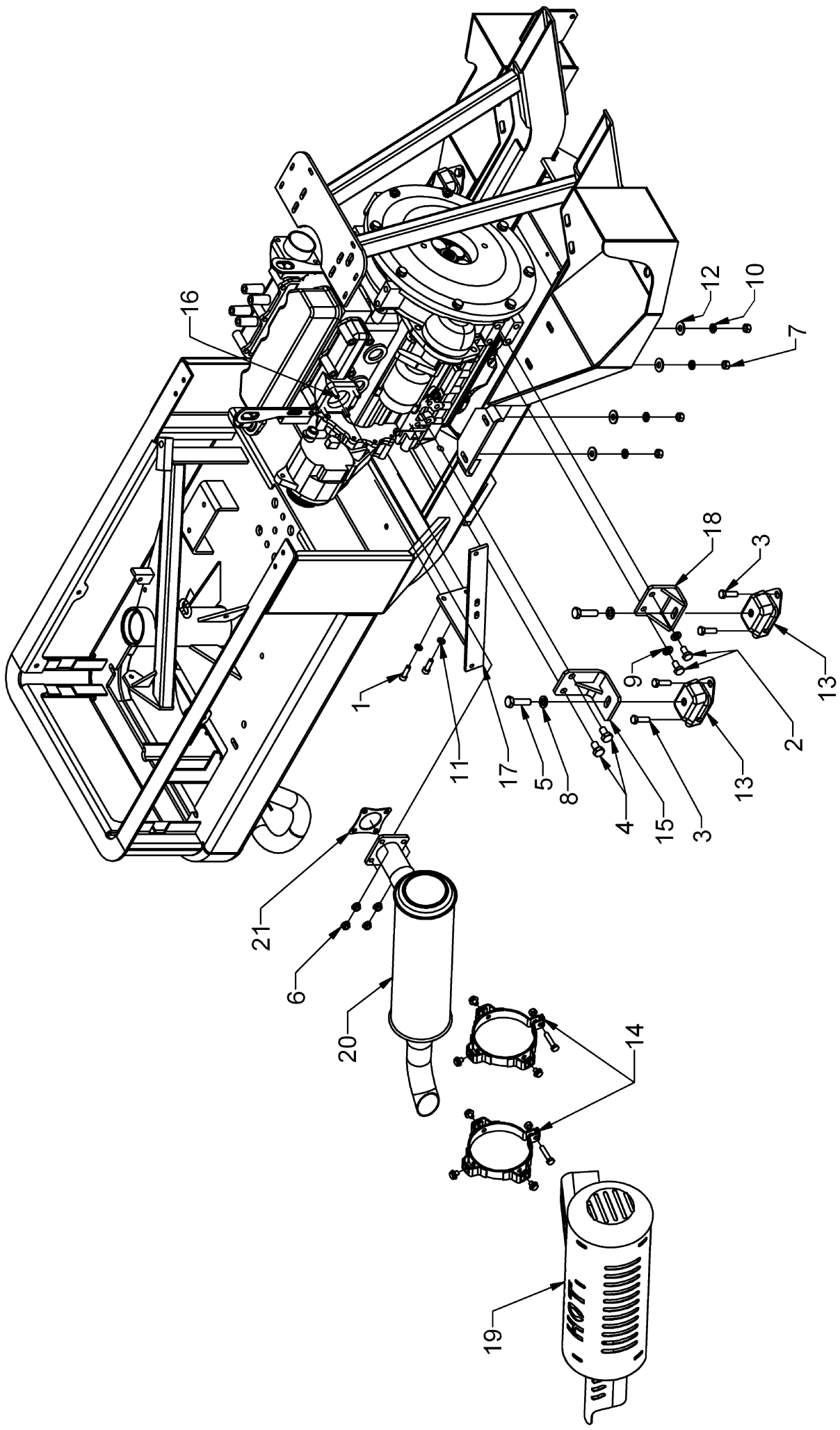
# A180/26

REPÈRE	REF.	F	D	E
1	29280	COMPTEUR HORAIRE	BETRIEBSTUNDENZÄHLER	HOUR METER
2	31759	INDIC.PRESS. HUILE MOT.	MOTORÖLDRUCKANZEIGE	ENGINE OIL PRESS. GAUGE
3	31757	VOYANT ROT.LAME	ANZEIGE	INDICATOR LIGHT
4	31760	VOLTMETRE	VOLTMETER	VOLT METER
5	31758	INDIC.TEMP.EAU	WASSER TEMP. ANZEIGE	WATER TEMP.INDICATOR
6	31761	CONTACTEUR A CLE	ZÜNDSCHLOSS	IGNITION SWITCH
7	33216	CLEF	ZÜNDSCHLÜSSEL	KEY
8	29273	CHASSIS MONTAGE EXT.	AUS.MONTAGE RAHMEN	EXT.SWITCH MOUNT
9	33113	CHASSIS MONTAGE CENT.	MID.MONTAGE RAHMEN	MIDDLE SWITCH MOUNT
10	31762	CENTRALE FEUX DETRESS.	WARBLINKEREINHEIT	BLINKER UNIT
11	29274	CHASSIS MONTAGE	MONTAGE RAHMEN	SWITCH MOUNT
12	28063	INTERRUPTEUR LAME	MESSERANTR.SCHALTER	BLADE SWITCH
13	29261	INTERRUPTEUR H.D.C.	SCHALTER	SWITCH
14	29299	INTERRUPTEUR KLAXON	SCHALTER	SWITCH
15	29262	INTERRUPTEUR GYR/FEUX	SCHALTER	SWITCH
16	29253	INTERRUPTEUR FEUX CR.	SCHALTER	SWITCH
17	29260	INTERRUPTEUR CLIGNOT.	SCHALTER	SWITCH
18	28063	INTERRUPTEUR	SCHALTER	SWITCH
19	30238	INTERRUPTEUR	SCHALTER	SWITCH



# A180/27

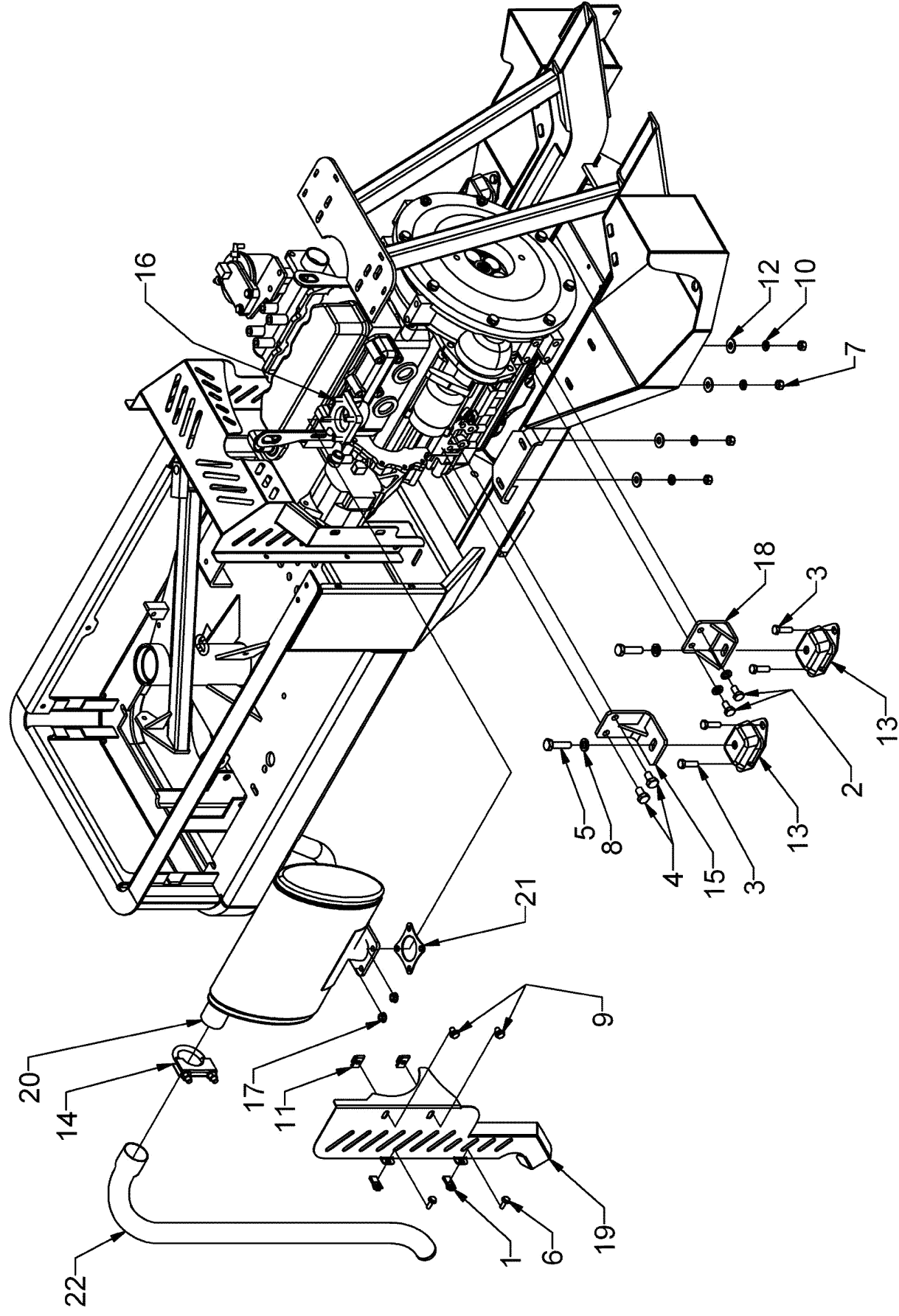
REPERE	REF.	F	D	E
1	31794	ECROU NUL 5/16-18	KASTENMUTTER 5/16-18	CAGE NUT 5/16-18
2	31851	VIS 5/16-18x0,75	SCHRAUBE 5/16-18x0,75	SCREW 5/16-18x0,75
3	31766	VIS 5/16-18x1	SCHRAUBE 5/16-18x1	SCREW 5/16-18x1
4	33149	VIS 1/4-20x1	SCHRAUBE 1/4-20x1	SCREW 1/4-20x1
5	33007	ECROU 5/16-18	MUTTER 5/16-18	NUT 5/16-18
6	33009	ECROU 1/4-20	MUTTER 1/4-20	NUT 1/4-20
7	33020	ECROU AUTOFR. 10-24	STOPMUTTER 10-24	STOP NUT 10-24
8	33024	RONDELLE GROWER 1/4"	FEDERSCHEIBE 1/4"	LOCK WASHER 1/4"
9	33155	VIS 10-24x0,75 RHMS	SCHRAUBE 10-24x0,75 RHMS	SCREW 10-24x0,75 RHMS
10	33045	VIS 10-24x0,5 RHMS	SCHRAUBE 10-24x0,5 RHMS	SCREW 10-24x0,5 RHMS
11	33197	BUTEE CONTACT.SECURITE	SICHER.SCHALTER ANSCHL	SAFETY SWITCH STOP
12	33085	SUPP.CONT.DEV.D.	SCHALTERHALTERUNG	BRACKET
13	33086	SUPP.CONT.DEV.G.	SCHALTERHALTERUNG	BRACKET
14	33199	SUPPORT CONTACTEUR	SCHALTER HALTERUNG	SWITCH BRACKET
15	33209	PARE-CHOCS	STOSSSTANGE	SUB FRAME
16	33217	CONTACTEUR SECURITE	SICHER.SCHALTER	SECURITY SWITCH
17	31405	CONTACT.FR.PARKING	PARKBREMSCHALTER	PARK BRAKE SWITCH
18	33224	CONTACTEUR SECURITE	SICHER.SCHALTER	SECURITY SWITCH
19	33223	FAISCEAU CONT.PT.MORT	KABELBAUM	WIRING





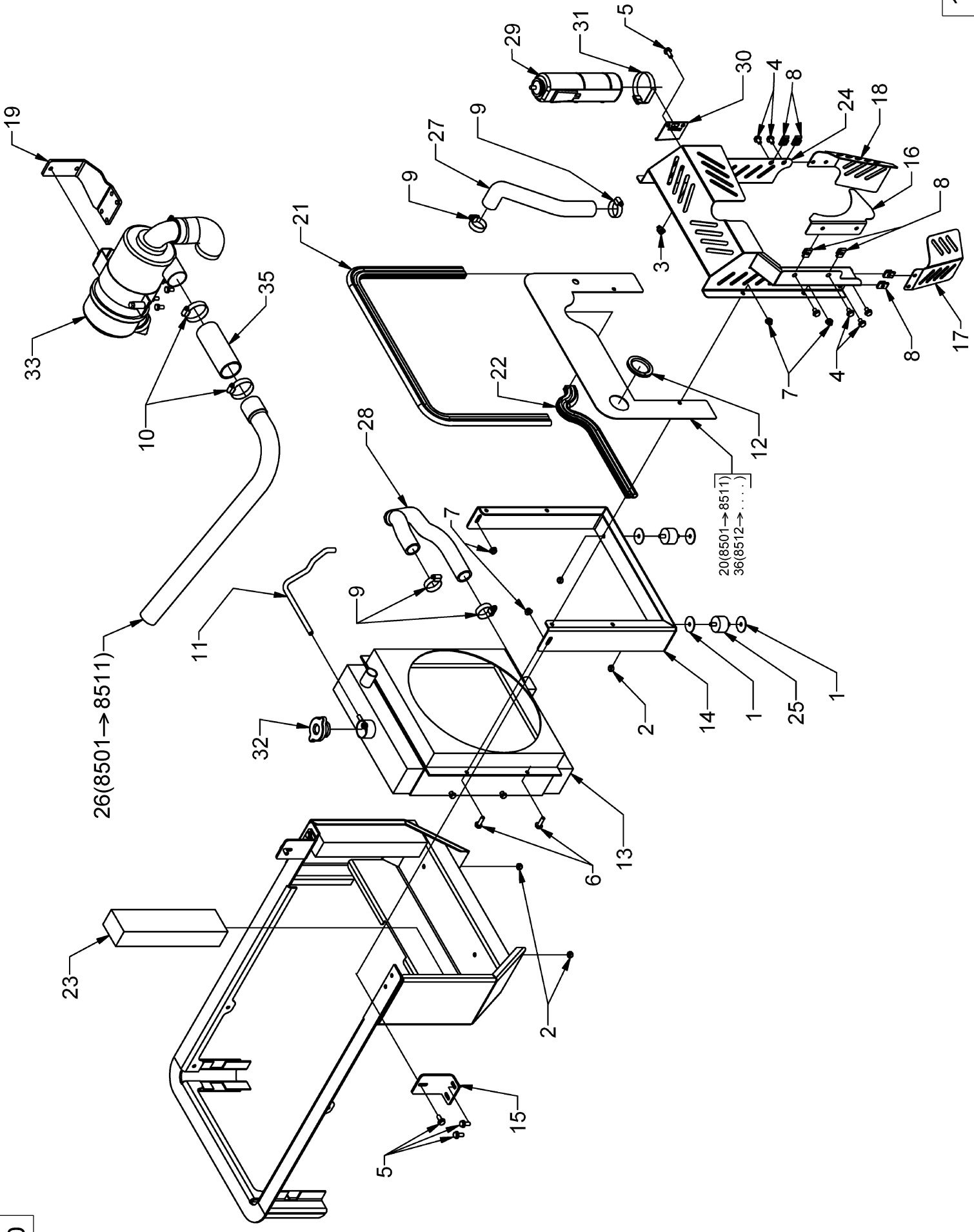
# A180/28

REPERE	REF.	F	D	E
1	31789	VIS M8-25x1,25	SCHRAUBE M8-25x1,25	SCREW M8-25x1,25
2	31824	VIS M10-20x1,5	SCHRAUBE M10-20x1,5	SCREW M10-20x1,5
3	31821	VIS 3/8-16x1,25	SCHRAUBE 3/8-16x1,25	SCREW 3/8-16x1,25
4	31817	VIS M12x1,75x20 12.9	SCHRAUBE M12x1,75x20	SCREW M12x1,75x20 12.9
5	31822	VIS M12-45x1,75	SCHRAUBE M12-45x1,75	SCREW M12-45x1,75
6	33007	ECROU 5/16-18	MUTTER 5/16-18	NUT 5/16-18
7	31820	ECROU 3/8-16	MUTTER 3/8-16	NUT 3/8-16
8	31823	RONDELLE GROWER 1/2"	FEDERSCHWEIBE 1/2"	LOCK WASHER 1/2"
9	31825	RONDELLE GROWER 7/16"	FEDERSCHWEIBE 7/16"	LOCK WASHER 7/16"
10	31826	RONDELLE GROWER 3/8"	FEDERSCHWEIBE 3/8"	LOCK WASHER 3/8"
11	33026	RONDELLE GROWER 5/16"	FEDERSCHWEIBE 5/16"	LOCK WASHER 5/16"
12	33154	RONDELLE 3/8	SCHWEIBE 3/8	WASHER 3/8
13	31816	SILENT-BLOC MOTEUR	MOTOR SILENTBLOC	ENGINE MOUNT
14	31829	SUPPORT PARE-CHALEUR	HITZSCHILDHALTERUNG	BRACKET
15	31818	SUPPORT MOTEUR AVANT	VORDERE MOTORHALT.	FRONT ENGINE BRACKET
16	33070	GOUJON COLLEC.ECHAP.	GEWINDESTIFT	EXHAUST FLANGE STUD
17	33098	SUPPORT ECHAPPEMENT	AUSPUFFHALTERUNG	MUFFLER MOUNT
18	31819	SUPPORT	HALTERUNG	BRACKET
19	31830	PARE-CHALEUR	HITZSCHILD	HEAT SHIELD
20	31827	SILENCIEUX DIECHAPP.	AUSPUFF	MUFFLER
21	31831	JOINT COLLEC.	DICHTUNG	GASKET



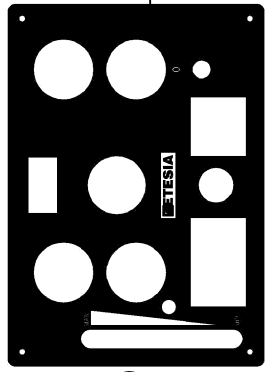
# A180/29

REPERE	REF.	F	D	E
1	31983	ECROU	MUTTER	NUT
2	31824	VIS M10-20x1,5	SCHRAUBE M10-20x1,5	SCREW M10-20x1,5
3	31821	VIS 3/8-16x1,25	SCHRAUBE 3/8-16x1,25	SCREW 3/8-16x1,25
4	31817	VIS M12x1,75x20 12.9	SCHRAUBE M12x1,75x20	SCREW M12x1,75x20 12.9
5	31822	VIS M12-45x1,75	SCHRAUBE M12-45x1,75	SCREW M12-45x1,75
6	33000	VIS 1/4-20x0,75	SCHRAUBE 1/4-20x0,75	SCREW 1/4-20x0,75
7	31820	ECROU 3/8-16	MUTTER 3/8-16	NUT 3/8-16
8	31823	RONDELLE GROWER 1/2"	FEDERSCHEIBE 1/2"	LOCK WASHER 1/2"
9	31773	VIS 5/16-18X0,5	SCHRAUBE 5/16-18X0,5	SCREW 5/16-18X0,5
10	31826	RONDELLE GROWER 3/8"	FEDERSCHEIBE 3/8"	LOCK WASHER 3/8"
11	33013	ECROU 5/16	MUTTER 5/16	NUT 5/16
12	33154	RONDELLE 3/8	SCHEIBE 3/8	WASHER 3/8
13	31816	SILENT-BLOC MOTEUR	MOTOR SILENTBLOC	ENGINE MOUNT
14	33253	COLLIER FIXATION POT	BEFESTIGUNGSSCHELLE	FIXING COLLAR
15	31818	SUPPORT MOTEUR AVANT	VORDERE MOTORHALT.	FRONT ENGINE BRACKET
16	33070	GOUJON COLLEC.ECHAP.	GEWINDESTIFT	EXHAUST FLANGE STUD
17	33007	ECROU 5/16-18	MUTTER 5/16-18	NUT 5/16-18
18	31819	SUPPORT	HALTERUNG	BRACKET
19	33255	PARE-CHALEUR	HITZSCHILD	HEAT SHIELD
20	33252	SILENCIEUX D'ECHAPP.	AUSPUFF	MUFFLER
21	31831	JOINT COLLEC.	DICHTUNG	GASKET
22	33254	EMBOUIT POT	AUSPUFF ROHR	MUFFLER TUBE

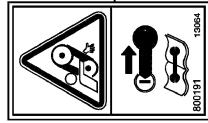


# A180/30

REPERE	REF.	F	D	E
1	31782	RDLE GROWER 5/16-1,5	FEDERSCHIBE 5/16-1,5	LOCK WASHER 5/16-1,5
2	33146	ECROU AUTOFR. M8x1,25	STOP NUT M8x1,25	STOPMUTTER M8x1,25
3	31794	ECROU NUL 5/16-18	KASTENMUTTER 5/16-18	CAGE NUT 5/16-18
4	31773	VIS 5/16-18x0,5	SCHRAUBE 5/16-18x0,5	SCREW 5/16-18x0,5
5	31851	VIS 5/16-18x0,75	SCHRAUBE 5/16-18x0,75	SCREW 5/16-18x0,75
6	31766	VIS 5/16-18x1	SCHRAUBE 5/16-18x1	SCREW 5/16-18x1
7	33007	ECROU 5/16-18	MUTTER 5/16-18	NUT 5/16-18
8	33013	ECROU NUL 5/16	KASTENMUTTER 5/16	CAGE NUT 5/16
9	31749	COLLIER DE SERRAGE	SHELLE	CLAMP HOSE
10	31748	COLLIER DE SERRAGE	SHELLE	CLAMP HOSE
11	33065	FLEXIBLE 5/16"	SCHLAUCH 5/16"	HOSE 5/16"
12	33066	PAS.CLOIS.TUBE ADM.	VERBINDUNGSTEIL	INLET TUBE LINER
13	33067	RADIATEUR	KÜHLER	RADIATOR
14	33071	SUPPORT RADIATEUR	KÜHLERHALTERUNG	RADIATOR MOUNT
15	33072	SUPPORT RADIATEUR	KÜHLERHALTERUNG	RADIATOR BRACKET
16	33076	CACHE ALTERNATEUR	LICHTMASCHINEVERKL.	BELT SHIELD
17	33081	GRILLE VENTIL.G.BAS	LÜFTUNGSGRILL LINKS	GRID LOW.LEFT
18	33082	GRILLE VENTIL.D.BAS	LÜFTUNGSGRILL RECHTS	GRID LOW.RIGHT
19	33087	SUPPORT FILTRE AIR	LUFTFILTERHALTERUNG	AIR CLEANER BRACKET
20	33088	DEFLECTEUR EN TOLE	BLECHDEFLEKTOR	EXHAUST FLANGE STUD
21	33089	GAINÉ PROTECTION H.	SCHUTZHÜLLE OBEN	BAFFLE SEAL UPPER
22	33090	GAINÉ PROTECTION B.	SCHUTZHÜLLE UNTEN	BAFFLE SEAL LOWER
23	33091	JOINT EN MOUSSE	SCHAUMDICHTUNG	FOAM SEAL
24	33105	GRILLE VENTIL. D.	LUFTERGRILL RECHTS	FAN SHIELD WELDMENT
25	33225	SILENT BLOC	SILENTBLOC	SILENTBLOC
26	31741	TUBE ADM. AIR	EINLASSROHR	AIR INLET TUBE
27	31742	DURIT RADIATEUR H.	KÜHLERSCHLAUCH	RADIATOR HOSE TOP
28	31743	DURIT RADIATEUR	KÜHLERSCHLAUCH	RADIATOR HOSE
29	31744	VASE D'EXPANSION	ÖLAUSGLEICHBEHÄLTER	OIL TANK
30	31745	SUPPORT VASE D'EXP.	ÖLAUSGLEICH. HALTERUNG	OIL TANK BRACKET
31	31746	COLLIER	SHELLE	CLAMP
32	31740	BOUCHON RADIATEUR	KÜHLERKAPPE	RADIATOR CAP
33	31739	FILTRE A AIR COMPLET	LUFTFILTER KPLT	AIR FILTER ASSEMBLY
34	31967	FILTRE A AIR MOTEUR	MOTORLUFTFILTER	ENGINE AIR FILTER
35	31747	TUBE ADM. AIR	EINLASSSCHLAUCH	INLET HOSE
36	33250	DEFLECTEUR EN TOLE	BLECHDEFLEKTOR	EXHAUST FLANGE STUD



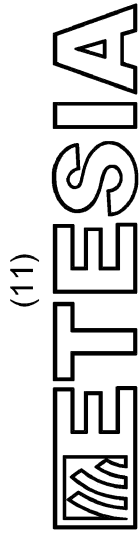
(1)



(2)

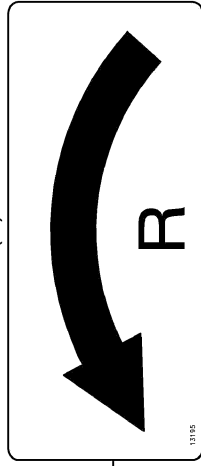


(3)



(11)

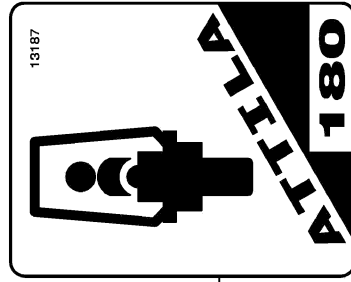
(4)



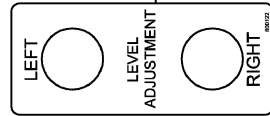
(10)

CONTAINS MERCURY SWITCHES.  
DO NOT PUT IN TRASH.  
RECYCLE OR DISPOSE  
AS HAZARDOUS WASTE.  
800121

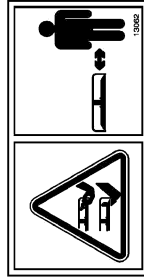
(5)



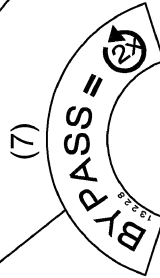
(9)



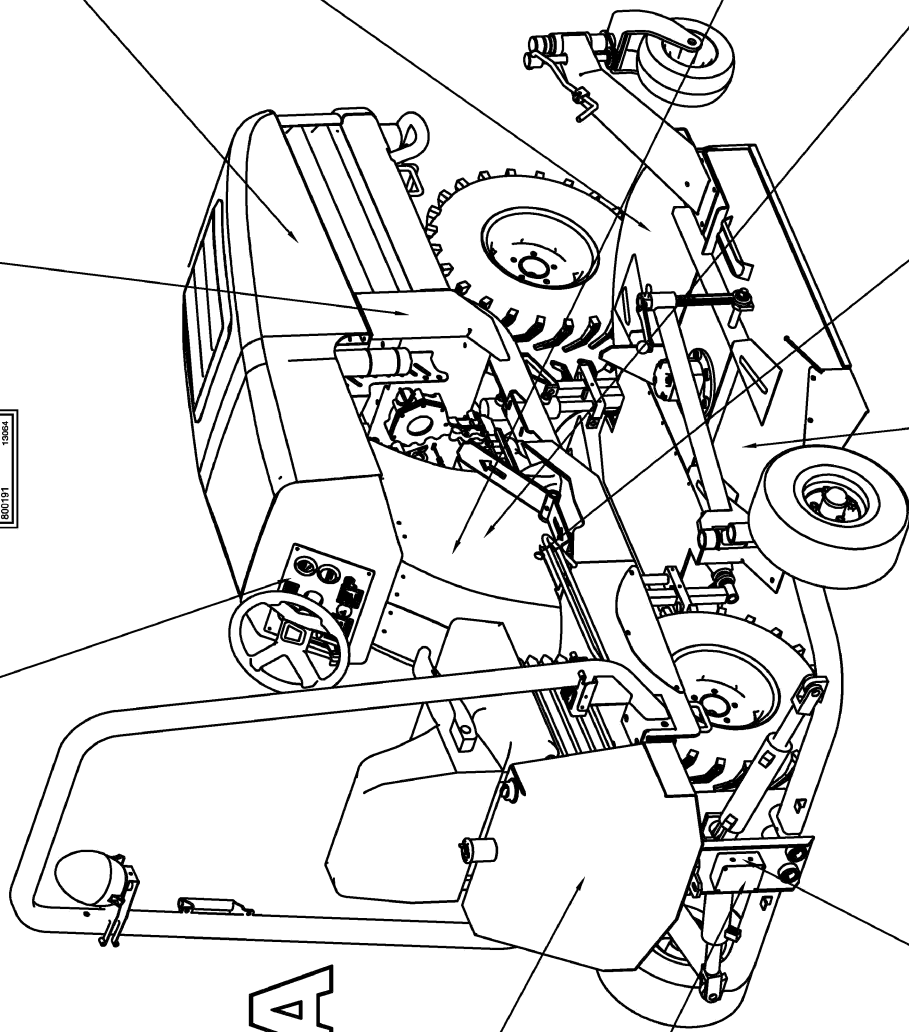
(8)



(7)

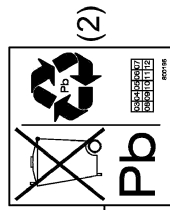
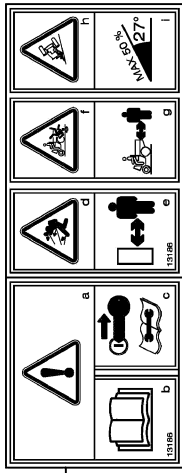


(6)



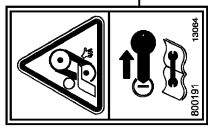
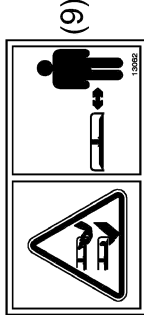
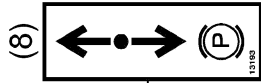
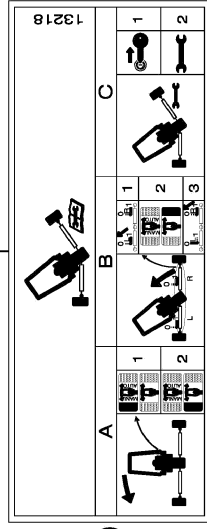
# A180/31

REPERE	REF.	F	D	E
1	33187	AUTOCOL.REV.TAB.BORD	INSTR.TAFEL AUFKLEBER	INSTR.BOARD STICKER
2	13064	ETIQ. OUVERTURE CAPOT	ABDECK.OFF.AUFKLEBER	ENG.COV.OPEN.STICKER
3	13134	ETIQ. CAPOT MOTEUR	MOT.HAUBE AUFKLEBER	ENGINE COVER LABEL
4	13195	ETIQ.ROTATION LAME	MESSER AUFKLEBER	BLADE STICKER
5	13187	AUTOCOLLANT A180	A180 AUFKLEBER	A180 STICKER
6	13086	ETIQUETTE ETESIA	ETESIA AUFKLEBER	ETESIA STICKER
7	13228	ETIQUETTE BY-PASS	BY-PASS AUFKLEBER	BY-PASS STICKER
8	13062	ETIQ. PLATEAU DE COUPE	MAHWERK AUFKLEBER	CUT.DECK STICKER
9	33183	AUTOCOLLANT	AUFKLEBER	STICKER
10	33184	AUTOCOLLANT	AUFKLEBER	STICKER
11	13085	ETIQUETTE ETESIA	ETESIA AUFKLEBER	ETESIA STICKER

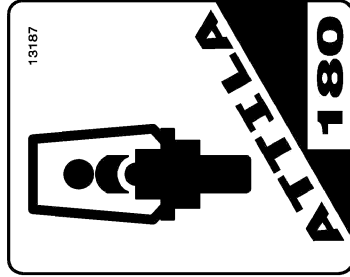
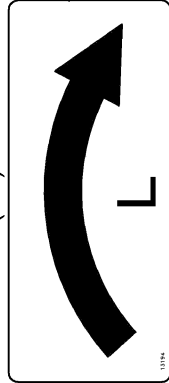


DIESEL (4)

DIESEL FUEL ONLY (5)



(12)



(10) METESIA



# A180/32

REPÈRE	REF.	F	D	E
1	13134	ETIQ. CAPOT MOTEUR	MOT. HAUBE AUFKLEBER	ENGINE COVER LABEL
2	13129	ETIQUETTE BATTERIE	BATTERIE AUFKLEBER	BATTERY LABEL
3	13186	ETIQ. AVERTISSEMENT	WARNUNGSAUFKLEBER	WARNING STICKER
4	33167	AUTOCOLLANT DIESEL	DIESEL AUFKLEBER	DIESEL STICKER
5	33178	AUTOCOLLANT DIESEL	DIESEL AUFKLEBER	DIESEL STICKER
7	13218	ETIQUETTE INCLINAISON	NEIGUNG AUFKLEBER	LEVELING STICKER
8	13193	ETIQUETTE FR.PARKING	PARKBREMSE AUFKLEBER	PARK BRAKE STICKER
9	13062	ETIQ. PLATEAU DE COUPE	MÄHWERK AUFKLEBER	CUT.DECK STICKER
10	13086	ETIQUETTE ETESIA	ETESIA AUFKLEBER	ETESIA STICKER
11	13187	AUTOCOLLANT A180	A180 AUFKLEBER	A180 STICKER
12	13194	ETIQ.ROTATION LAME	MESSER AUFKLEBER	BLADE STICKER
13	13064	ETIQ. OUVERTURE CAPOT	ABDECK.ÖFF.AUFKLEBER	ENG.COV.OPEN.STICKER