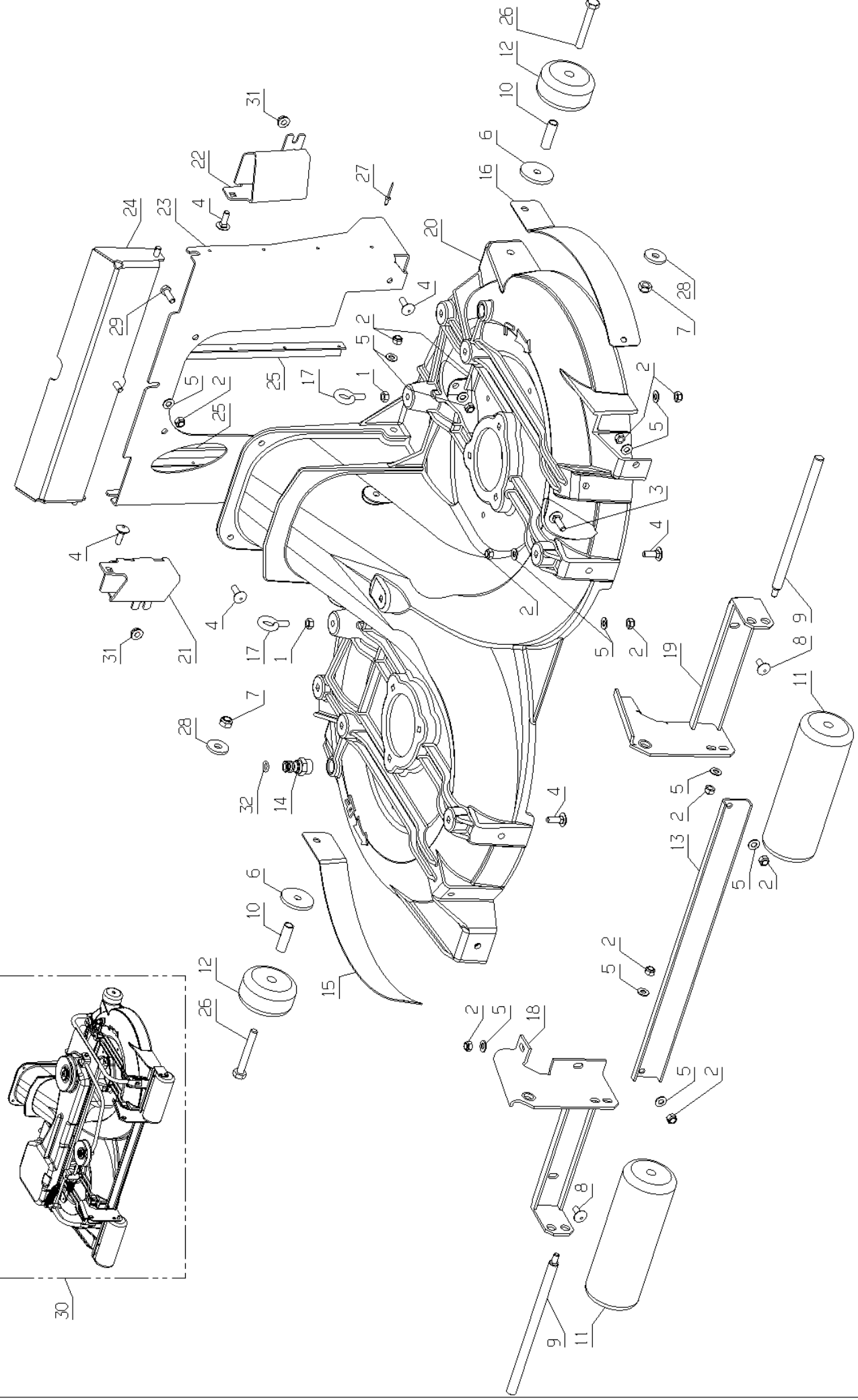
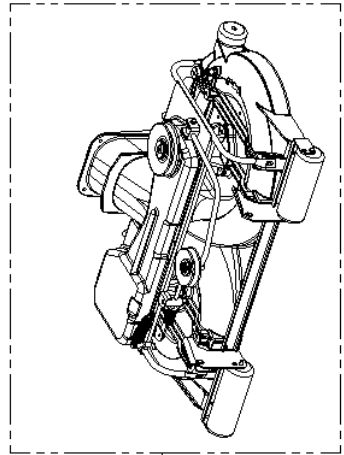
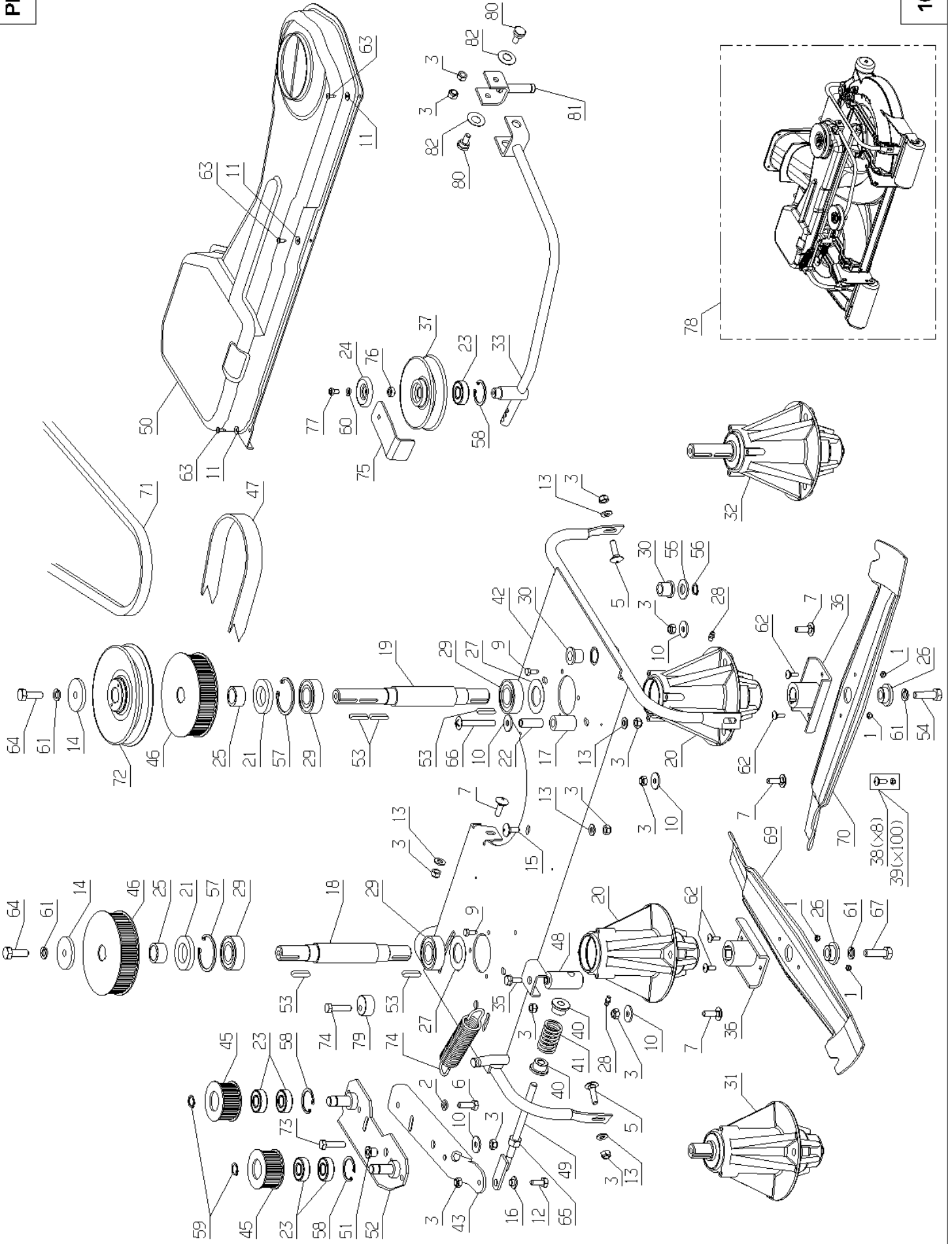


BVHP



P00100

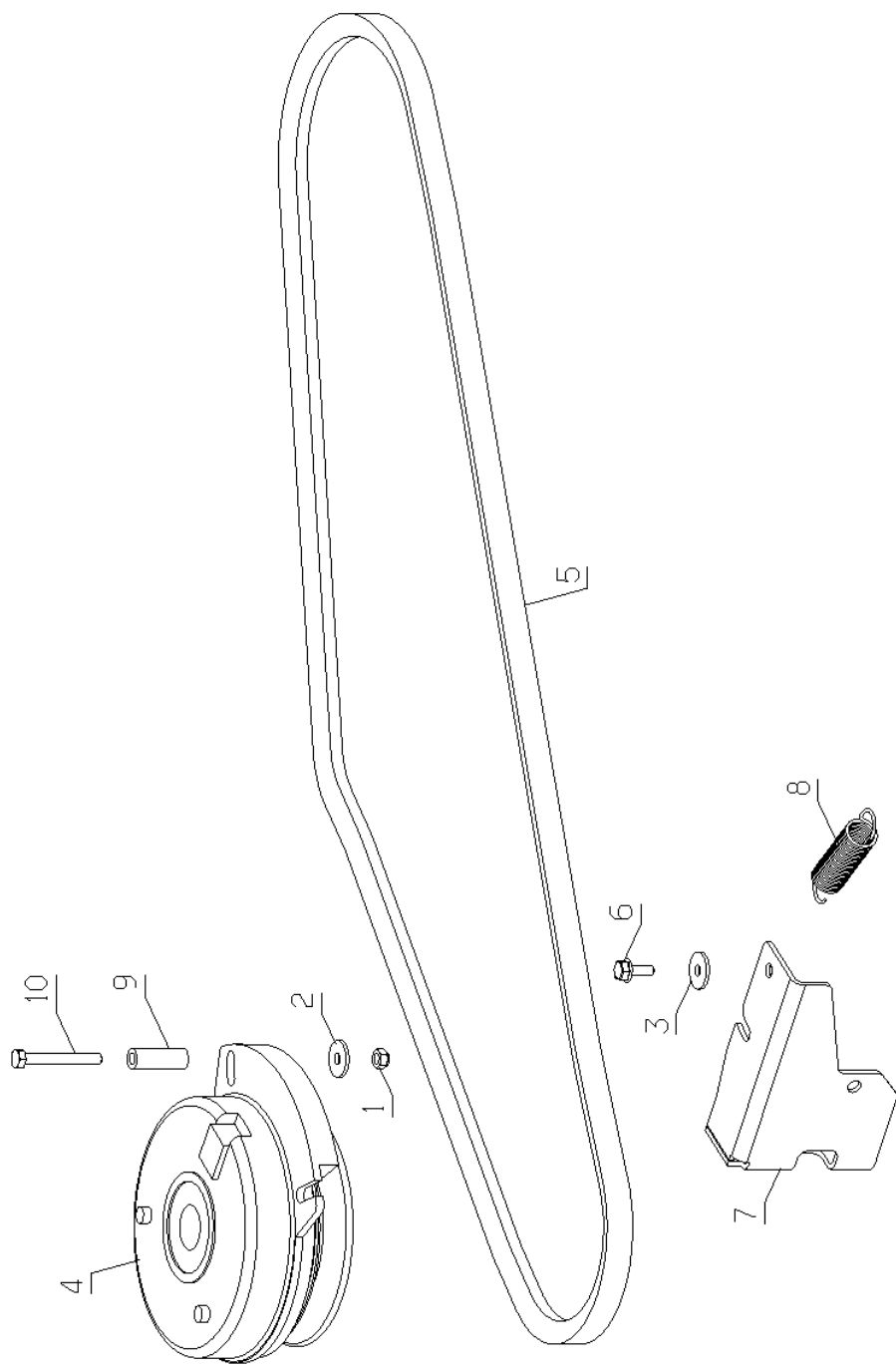
| Rep | Réf ETESIA | | | |
|-----|---------------|---------------------|---------------------|---------------------|
| 1 | 2020 | ECROU H.M8 DIN934 | MUTTER HM8 DIN 934- | NUT HM8 |
| 2 | 2021 | ECR.AUTOFR.HM8 DIN | STOPMUTTER HM 8 DIN | NUT HM8 |
| 3 | 5041 | VIS J M 8X30 DIN603 | SCHRAUBE M8X30 | BOLT 8X30 |
| 4 | 5347 | VIS J M 8X25 DIN603 | SCHRAUBE M8X25 | SCREW 8X25 |
| 5 | 7335 | RDLE PL.A 8,4DIN12 | SCHEIBE A 8,4 | WASHER |
| 6 | 7341 | RDLE PL.10,3X49X5 | SCHEIBE 10,3X49X5 | FLAT WASHER 10,3X49 |
| 7 | 9017 | ECR.AUTOFR.HM10 DIN | MUTTER HM10 DI | NUT HM10 |
| 8 | 9071 | VIS J M 8X20 DIN603 | SCHRAUBE M8X20 | SCREW M8X20 |
| 9 | 25006 | AXE ROULEAU | ACHSE | ROLLER SHAFT |
| 10 | 25014 | ENTRETOISE ROULETTE | ABSTANDHUELSE | REAR WHEEL SPACERS |
| 11 | 25015 | ROULEAU PLEIN AVANT | VORDERE ROLLE | FRONT ROLLER |
| 12 | 25017 | ROULETTE PLEINE AR | HINTERE ROLLE | REAR ROLLER |
| 13 | 25018 | TRAVERSE FRONTALE | STABILISATOR | FRONT CROSS BAR |
| 14 | 39084 | COUPLEUR 1/2" | SCHLAUCH KOPPER1/2" | |
| 15 | 25023 | PROTEGE CARCASSE D. | SCHUTZBLECH RECHTS | RH DECK PROTECTION |
| 16 | 25024 | PROTEGE CARCASSE G. | SCHUTZBLECH LINKS | LH DECK PROTECTION |
| 17 | 25432 | ANNEAU DE LEVAGE | AUFHÄNGUNG | LIFTING RING |
| 18 | 26100 | SUPPORT AV. DROIT | VORDERE AUFHÄNGUNG | RH FRONT SUPPORT AS |
| 19 | 26101 | SUPPORT AV. GAUCHE | VORDERE AUFHÄNGUNG | LH FRONT SUPPORT AS |
| 20 | 31000 | CARCASSE | HAUBE | CUTTING DECK |
| 21 | 31170 | INSERT CARC.DROIT | MÄHWERK EINSATZ R. | RIGHT DECK INSERT |
| 22 | 31173 | INSERT CARC.GAUCHE | MÄHWERK EINSATZ L. | LEFT DECK INSERT |
| 23 | 31525 | TOLE SORTIE CARCASS | MÄHDECK AUSG.BLECH | CUTTING DECK PLATE |
| 24 | 31536 | BEC SORTIE CARCASSE | MÄHWERK AUSGANGNASE | CUTTING DECK NOZZLE |
| 25 | 35085 | BROSSE LATERALE | SEITLICHEBÜRSTE | SIDE BRUSH |
| 26 | 71032 | VIS H M 10X75 | SECHSKANTSCHRAUBE H | KAWA SCREW H M10X75 |
| 27 | 71119 | RIVET CLOUS DIAM.4X | NIETE 4X6 (ALU) | NAIL RIVET DIA. 4X8 |
| 28 | 9009 | RDLE PL.11X32X4 | SCHEIBE.11X32X4 | WASHER |
| 29 | 9056 | VIS H M 8X25 DIN933 | SCHRAUBE 8X25 | BOLT 8X25 |
| 30 | 34072 | CARCASSE CPLT H100 | MÄHWERK KPLT H100 | CUT.DECK CPLT H100 |
| 31 | 27507 | ECROU AUTOBLOQ.M8 | STOPMUTTER M8 | U NUT FLANGE M8 |
| 32 | 28762 | JOINT TOR.10,77X2,6 | DICHTUNG 10,77X2,6 | GASKET 10,77 X 2,6 |



PLO2063

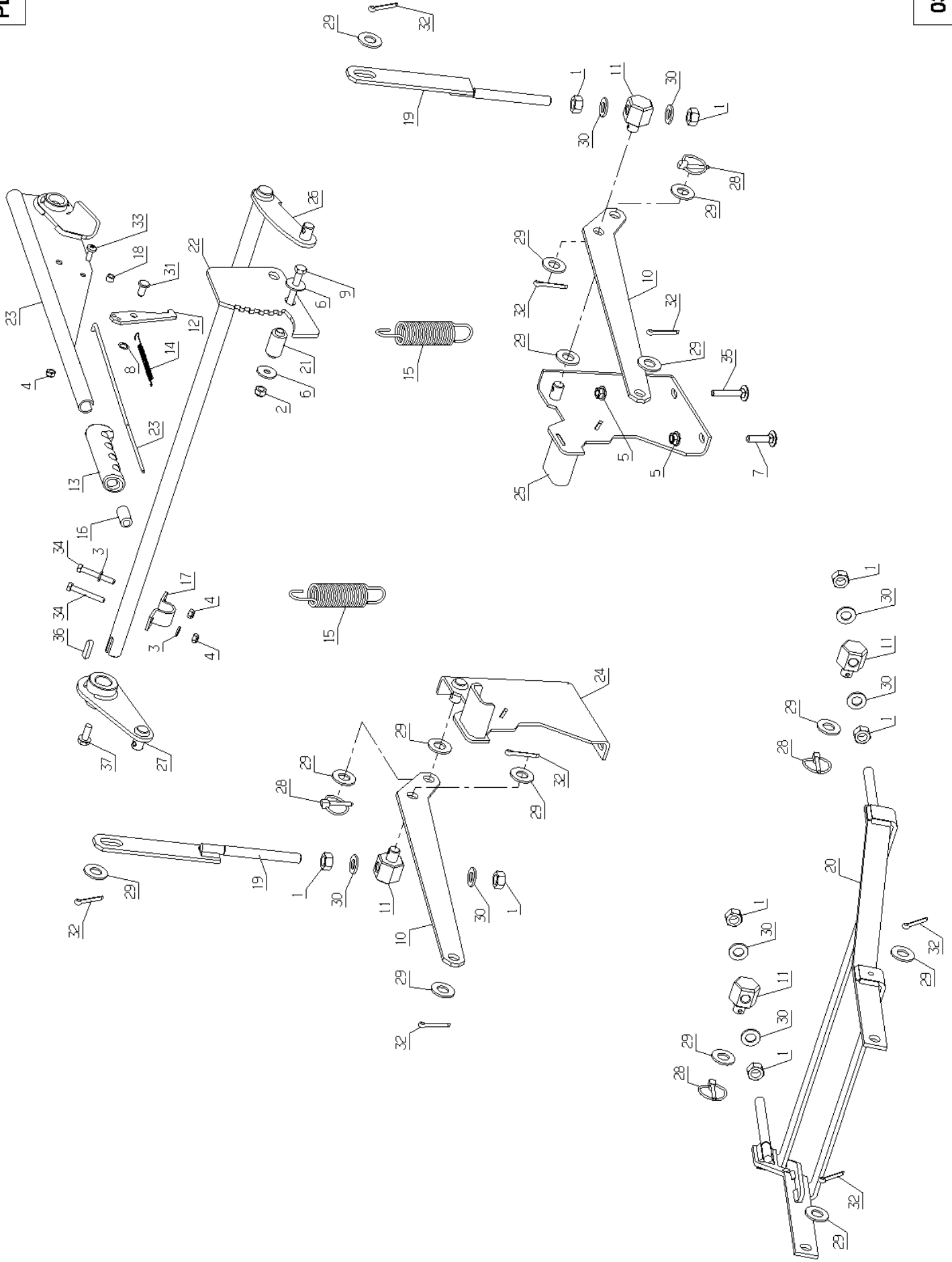
| Rep | Réf ETESIA | | | |
|-----|---------------|---------------------|---------------------|---------------------|
| 1 | 37561 | ECROU H FR M5,10 | MUTTER M5,10 | NUT |
| 2 | 2017 | RDLE EVENT.A8,2 679 | FAECHERSCHEIBE A8.2 | SERRATED LOCK WASHE |
| 3 | 2021 | ECR.AUTOFR.HM8 DIN | STOPMUTTER HM 8 DIN | NUT HM8 |
| 4 | 5020 | VIS CHC M6X10 7984 | CHC M6X10 SCHRAUBE | CHC M6X10 SCREW |
| 5 | 5041 | VIS J M 8X30 DIN603 | SCHRAUBE M8X30 | BOLT 8X30 |
| 6 | 9056 | VIS H M 8X25 DIN933 | SCHRAUBE 8X25 | BOLT 8X25 |
| 7 | 5347 | VIS J M 8X25 DIN603 | SCHRAUBE M8X25 | SCREW 8X25 |
| 9 | 5498 | VIS TAPT.M6X16 TH | GEWINDESCHNEIDSCHRA | TAPTITE BOLT M6X16 |
| 10 | 7035 | RDLE PL.B 8,4DIN90 | BEILAGSCHEIBE B8,4 | FLAT WASHER |
| 11 | 7094 | RDLE PL.B 4,3DIN90 | BEILAGSCHEIBE B 4,3 | FLAT WASHER |
| 12 | 7334 | VIS H M 8X20 DIN933 | SECHSKANTSCHRAUBE H | HEXAGON SCREW,DIN 9 |
| 13 | 7335 | RDLE PL.A 8,4DIN12 | SCHEIBE A 8,4 | WASHER |
| 14 | 7341 | RDLE PL.10,3X49X5 | SCHEIBE 10,3X49X5 | FLAT WASHER 10,3X49 |
| 15 | 9071 | VIS J M 8X20 DIN603 | SCHRAUBE M8X20 | SCREW M8X20 |
| 16 | 24052 | BAGUE ARTICULATION | GELENKBÛCHSE N651 | KNUCKLE RING |
| 17 | 25102 | ROULEAU BUTEE | LAUFROLLE | NYLON ROLLER |
| 18 | 25103 | ARBRE LAME DROITE | MESSERWELLE RECHTS | RH BLADE SHAFT |
| 19 | 25104 | ARBRE LAME GAUCHE | MESSERWELLE LINKS | LH BLADE SHAFT |
| 20 | 25105 | PALIER DE LAMES | WELLENLAGER 2 GEN. | BLADE BEARING |
| 21 | 25106 | JOINT ETANC.30X52X7 | DICHTUNG | SEAL 30X52X7 |
| 22 | 25107 | ENTRETOISE ROULEAU | ROLLE HËLSE | ROLLSLEEVE |
| 23 | 25112 | RLT A BILLES 6202 | KUGELLAGER 6202 | BALL BEARING,6202 S |
| 24 | 25117 | CAPUCHON BRAS TEND. | SCHUTZDECKEL | PLUG T. ARM |
| 25 | 25129 | ENTRETOISE TRANSMIS | DISTANZHUELSE | TRANSMISSION SPACER |
| 26 | 25132 | RONDELLE DE LAME | MESSERSCHEIBE | BLADE WASHER |
| 27 | 25143 | ANNEAU NILOS | "NILOS" RING | "NILOS" RING |
| 28 | 25301 | GRAISSEUR "HYDRAULI | SCHMIERNIPPEL | RH STD "HYDRAULIC" |
| 29 | 25475 | RLT A BILLES 6205 2 | KUGELLAGER 6205 | SEALED BALL BEARING |
| 30 | 25512 | BAGUE AUTOLUBR. | LAGERBUCHSE C14 /20 | SELF-LUBRIC.RING C1 |
| 31 | 26106 | PALIER LAME D. CPLT | R.WELLENLAGER KPLT | R. BEARING CPLT |
| 32 | 26107 | PALIER LAME G. CPLT | L.WELLENLAGER KPLT | L. BEARING CPLT |
| 33 | 26152 | BRAS TENDEUR SOUDE | SPANNER ARM GESCHW. | TENSIONING ARM WELD |
| 35 | 71413 | VIS HM 8-20 | SCHRAUBE HM 8-20 | SCREW HM 8-20 |
| 36 | 26155 | ACCOUPLLEMENT LAME | MESSERFLANSCH | BLADE CLUTCH |
| 37 | 26156 | POULIE TENDEUR | SPANNSCHEIBE | BELT TIGHTENER PULL |
| 38 | 26157 | JEU BOUL. CIS.8PCES | ABSCHERSCHRAUBE 8ST | SET OF 8 SHEARBOLTS |
| 39 | 26357 | 100 BOULONS CISAIL. | 100 ABSCHERSCHRAUBE | 100 SHEAR BOLTS |
| 40 | 31024 | ENTRETOISE REGLAGE | EINSTELLUNG HËLSE | ADJUST SPACER |
| 41 | 31025 | RESSORT TENDEUR | SPANNFEDER | TENSIONNER SPRING |
| 42 | 31028 | PLAQ.TRANSMISSION | ANTRIEBSHALT.PLATE | TRANSMISSION PLATE |
| 43 | 31064 | RENFORT TENDEUR | SPANNVERSTZRCKUNG | TENSION.REINFORCING |
| 45 | 31201 | POULIE STS 22 DTS | ZAHNRIEMENSCHIEB.22 | PULLEY STS 22 |
| 46 | 31202 | POULIE STS 48 DTS | ZAHNRIEMENSCHIEB.48 | PULLEY STS 48 |
| 47 | 31203 | COURROIE CRANTE STS | ZAHNRIEMEN STS | TOOTHED BELT STS |
| 48 | 31205 | PIVOT TENDEUR | SPANNER KLOTZ | TENSIONNER BLOCK |
| 49 | 31215 | TIGE TENDEUR | SPANNERSTANGE | TENSIONNER ROD |
| 50 | 35127 | CAPOT TRANSM.LAME | RIEMEN VERKLEIDUNG | BELT COVER |
| 51 | 35176 | ENTRETOISE | BÛCHSE | SPACER |
| 52 | 35177 | PLAQUE TENDEUR | SPANNER PLATTE | TENSIONNER PLATE |

| | | | | |
|----|--------|---------------------|---------------------|---------------------|
| 53 | 71006 | CLAVETTE 6X6X30 A | NUTKEIL 6X6X30 DIN | A-SHAPE KEY,DIN 688 |
| 54 | 71242 | VIS HM 10-35 DROITE | SECHSKANTSCHRAUBE | HEX.SCREW HM10X35 |
| 55 | 71034 | RDLE PL. M14 U | SCHÉIBE M14 U NFE 2 | FLAT WASHER NFE 276 |
| 56 | 71036 | CIRCL.EXT.14X1 | SEEGERING 14X1 DIN | DIN 471 14X1 EXT. C |
| 57 | 71037 | CIRCL.INT.52X2 | SEEGERING 52X2 | CIRCLIP, DIN 472 52 |
| 58 | 71039 | CIRCL.INT.35X1,5 | SEEGERING 35X1.5 | CIRCLIP,DIN 427 35X |
| 59 | 71047 | CIRCL.EXT. 15X1 | SEEGERING 15X1 | CIRCLIP DIN 471 15X |
| 60 | 71049 | RDLE GROWER A6 | FEDERRING A6 DIN 12 | SPRING WASHER,DIN 1 |
| 61 | 71052 | RDLE FREIN A10 | FEDERRING A10 DIN 1 | SPRING WASHER,DIN 1 |
| 62 | 71231 | VIS JM5-16,12,9 | SCHRAUBE JM5-16 | SCREW JM5-16 |
| 63 | 71109 | VIS TOLE B4,2X13 | BLECHSCHRAUBE B4 2X | TAPPING SCREW,DIN 7 |
| 64 | 71110 | VIS HM 10X30 | SECHSKANTSCHRAUBE H | HEXAGON SCREW,DIN 9 |
| 65 | 71158 | ECROU HH M10,8 | SECHSKANTSCHR. M10 | HEXAGONAL NUT HM10 |
| 66 | 71170 | VIS POELIER M8X60 | SCHRAUBE M8X60 | BELT M8 X 60 |
| 67 | 71031 | VIS HM10X35 GAUCHE | SECHSKANTSCHRAUBE M | LH HEXAG.SCREW,DIN |
| 69 | MZ102D | LAME DROITE H100 | MESSER RECHTS H100 | RIGHT BLADE H100 |
| 70 | MZ102G | LAME GAUCHE H100 | MESSER LINKS H100 | LEFT BLADE H100 |
| 71 | 38458 | COURROIE B72 | KEILRIEMEN B72 | BELT B72 |
| 72 | 25108 | POULIE TRAPEZOIDALE | RIEMENSCHÉIBE | V-BELT PULLEY |
| 73 | 7038 | VIS H M 8X35 DIN933 | SECHSKANTSCHRAUBE H | SCREW,DIN933 H M 8X |
| 74 | 25124 | RESSORT DE TENSION | SPANNARMZUGFEDER | TENSION SPRING |
| 75 | 35561 | BUTÉE COURROIE | RIEMEN ANSCHLAG | BELT STOP |
| 76 | 35572 | ENTRETOISE TEND. | BÛCHSE | SPACER |
| 77 | 20507 | VIS HM 6 X 20 | SECHSKANT.HM 6X20 | BOLT HM 6X20 |
| 78 | 34072 | CARCASSE CPLT H100 | MÛHWERK KPLT H100 | CUT.DECK CPLT H100 |
| 79 | 25131 | RDLE TENDEUR | ANSCHLAGSCHEIBE | BELT TIGHTENER WASH |
| 80 | 39416 | AXE PIVOT | ACHSBOLZEN | KING BOLT |
| 81 | 39346 | CHAPE TENDEUR | SPANNER GABEL | |
| 82 | 39348 | RDLE BLVIL 28X14,2 | BELLEVILLE SCHEIBE | BELLEVILLE WASHER |



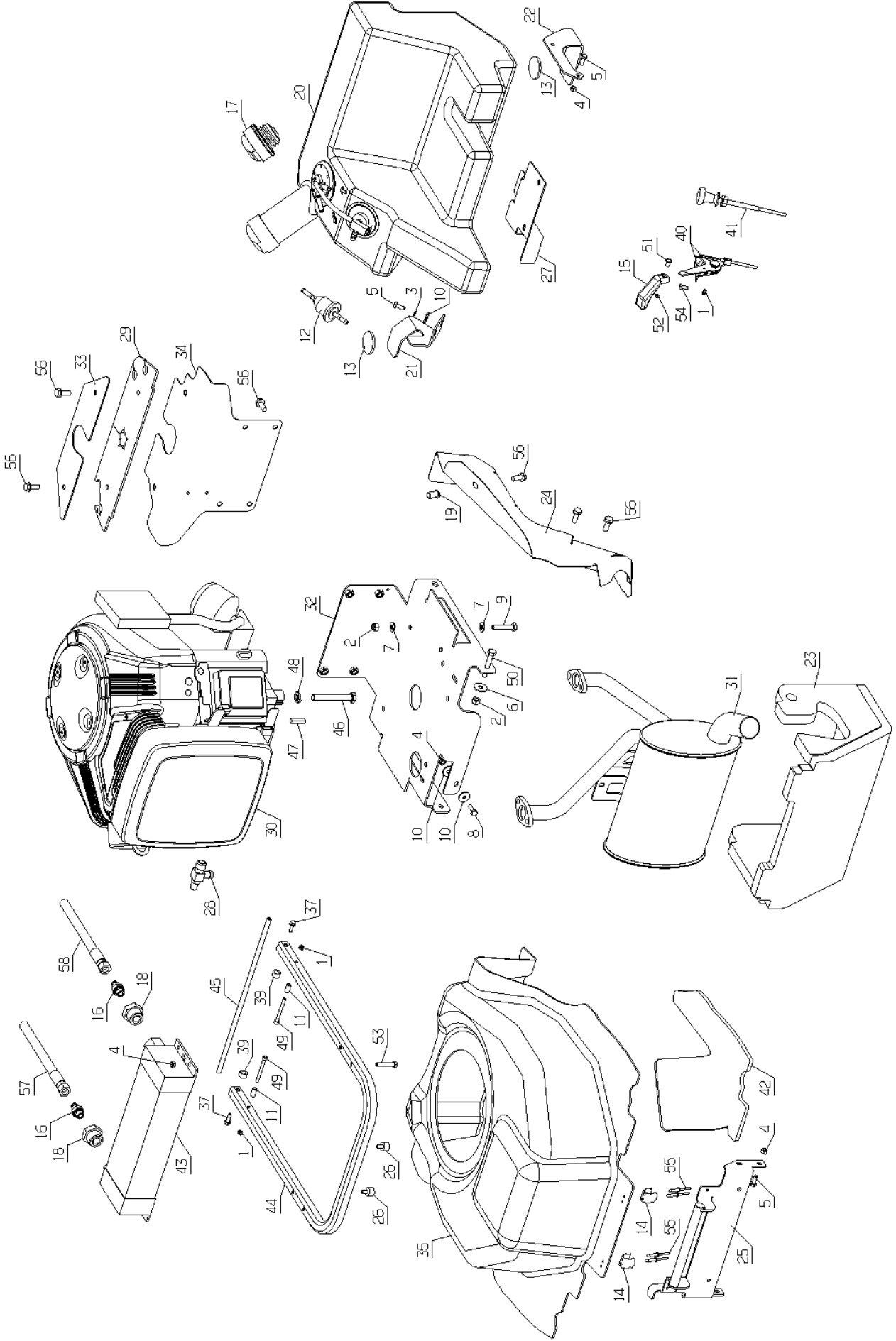
PL02062

| Rep | Réf ETESIA | | | |
|-----|---------------|--|--|--|
| 1 | 5232 | | | |
| 2 | 21270 | | | |
| 3 | 22029 | | | |
| 4 | 35576 | | | |
| 5 | 38458 | | | |
| 6 | 37997 | | | |
| 7 | 38800 | | | |
| 8 | 39427 | | | |
| 9 | 42027 | | | |
| 10 | 71023 | | | |



PLO1732

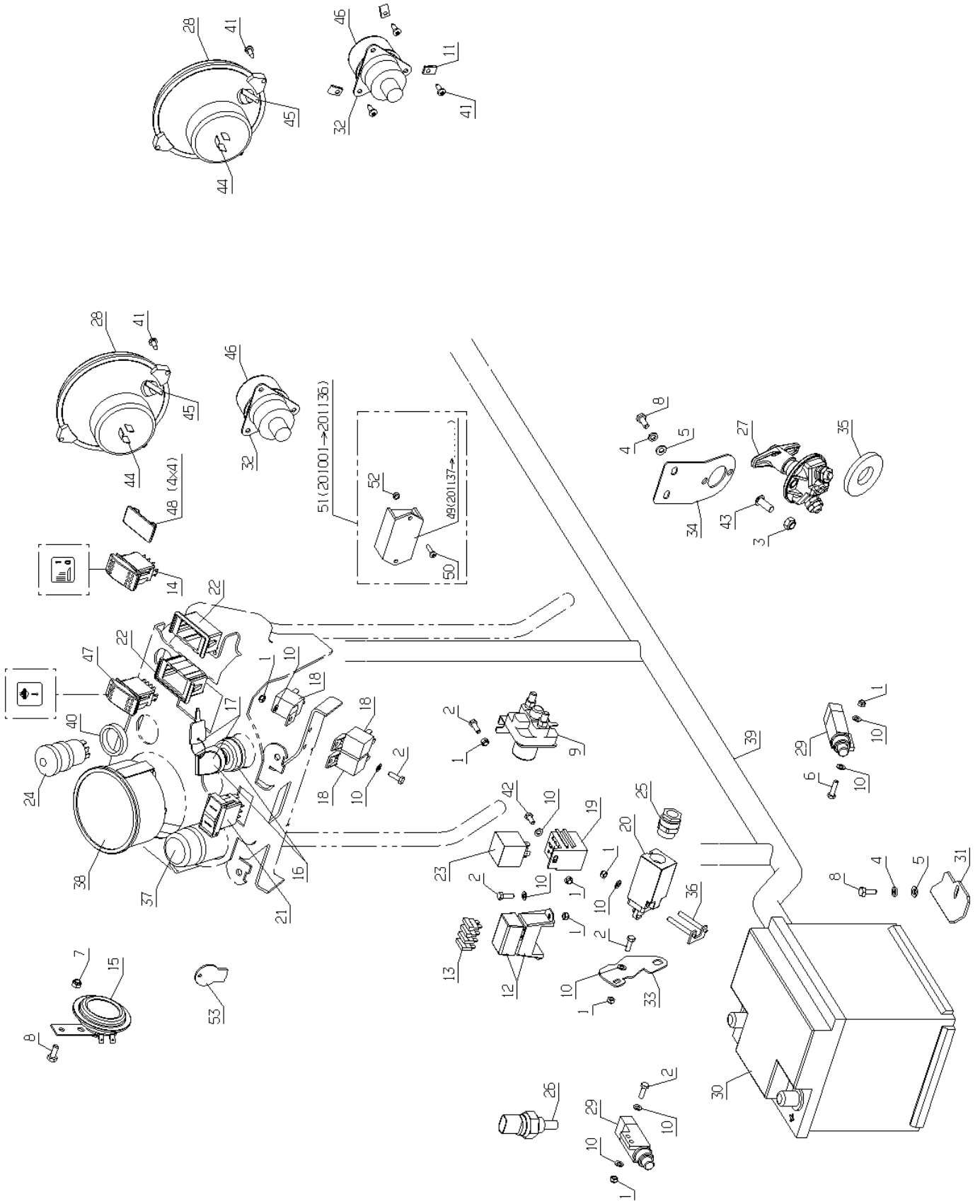
| Rep | Réf ETESIA | | | |
|-----|---------------|---------------------|-----------------------------------|---------------------|
| 1 | 1541 | ECROU H.M12 DIN934 | MUTTER HM12 DIN 934 | HEXAGON NUT,DIN 934 |
| 2 | 2021 | ECR.AUTOFR.HM8 DIN | STOPMUTTER HM 8 DIN | NUT HM8 |
| 3 | 2235 | RDLE PL.A 6,4DIN12 | SCHEIBE A 6.4 | WASHER A6.4 |
| 4 | 5232 | ECR.AUTOFR.HM6 DIN | STOPMUTTER HM 6 DIN | SELF-LOCKING NUT |
| 5 | 27507 | ECROU AUTOBLOQ.M8 | STOPMUTTER M8 | U NUT FLANGE M8 |
| 6 | 7035 | RDLE PL.B 8,4DIN90 | BEILAGSCHEIBE B8,4 | FLAT WASHER |
| 7 | 71118 | VIS TRCC 8X35 | SCHRAUBE M8X35 | SCREW 8X35 |
| 8 | 7377 | GRIFFAXE RENF. 8 | BOLZENCLIP | TRUARC COLLAR DIN 7 |
| 9 | 21687 | VIS H M 8X55 DIN933 | SECHSKANTSCHRAUBE H | HEXAGON SCREW,DIN 9 |
| 10 | 25403 | BIELLE ARRIERE | KIPPEBEL | REAR ROD |
| 11 | 25406 | PLOT REGLAGE | EINSTELLBOLZEN | ADJUSTMENT BOLT |
| 12 | 25419 | DOIGT INDEXAGE | ZEIGERFINGER | RATCHET |
| 13 | 25421 | POIGNEE | HANDGRIFF | GRIP |
| 14 | 25422 | RESSORT DE RAPPEL | HAKENFEDER | RATCHET PULL-BACK S |
| 15 | 25426 | RESSORT COMPENSAT. | KOMPENSATIONSFEDER | SPRING |
| 16 | 25429 | BOUTON POUSSOIR | DRUCKKNOPF | PARKING BRAKE RELEA |
| 17 | 25711 | CAVALIER | FUEHRUNGLAGER | STRAP |
| 18 | 25887 | ENTRET.MARCHE-PIED | DISTANZHUELSE | STEP SPACER |
| 19 | 26454 | TIRANT ARRIERE | ZUGSTANGE | REAR TIE ROD |
| 20 | 26455 | TIRANT AVANT | VORDERE SCHWINGGABE | FRONT TIE ROD |
| 21 | 31087 | ENTRETOISE CRANTAGE | RASTUNGS HÄLSE | INDEXING SPACER |
| 22 | 31361 | CRANTAGE HDC | SCHNITTH TM HE RASTUNG | CUTT.HEIGH.INDEXING |
| 23 | 35160 | TIGE DE COMMANDE | STEUER STANGE | |
| 24 | 36572 | TOLE BUTEE HDC D | R.SCHN.H TM .ANSCHLAG | |
| 25 | 36573 | TOLE BUTEE HDC G | L.SCHNI.H TM .ANSCHLAG | |
| 26 | 37767 | AXE DE RENVOI | ACHSE | |
| 27 | 37768 | BIELLETTTE LEVAGE D | RECHTER HEBEL | |
| 28 | 71005 | GOUP. A CLIPS 5X32 | FEDERSTECKER | SAFETY PIN,DIN 1102 |
| 29 | 71034 | RDLE PL. M14 U | SCHEIBE M14 U NFE 2 | FLAT WASHER NFE 276 |
| 30 | 71035 | RDLE PL. M12 U | BEILAGSCHEIBE M12 U | FLAT WASHER NFE 276 |
| 31 | 71041 | AXE TYPE A 8X16 | BOLZEN TYP A 8X16 D | A TYPE SHAFT,DIN 14 |
| 32 | 71101 | GOUPIL.FENDUE V5X28 | SPLINTE V 5 X 28 DI | COTTER PIN,DIN 94 5 |
| 33 | 71106 | VIS T PL CR M6X16 | KREUTZSCHLITZLINSEN | RECESSED HEAD SCREW |
| 34 | 71239 | VIS HM 6-45 ZBL | SECHSKANTSC.HM6X45 | HEX.SCREW HM6X45 |
| 35 | 20520 | VIS JAPY M8 X 45 | SCHRAUBE M8 X 45 | BOLT 8X45 |
| 36 | 71344 | CLAV.6X6X25 FORME C | KEIL 6X6X25 C FORM | KEY 6X6X25 C FORM |
| 37 | 71413 | VIS HM 8-20 | SCHRAUBE HM 8-20 | SCREW HM 8-20 |



PL01733

| Rep | Réf ETESIA | | | |
|-----|---------------|---------------------|----------------------|---------------------|
| 1 | 1607 | ECR.AUTOFR.HM5 DIN | STOPMUTTER HM5 | NUT |
| 2 | 2021 | ECR.AUTOFR.HM8 DIN | STOPMUTTER HM 8 DIN | NUT HM8 |
| 3 | 2233 | RONDELLE M 6 FZA ST | FAESCHERSCHEIBE 6,4 | WASHER |
| 4 | 5232 | ECR.AUTOFR.HM6 DIN | STOPMUTTER HM 6 DIN | SELF-LOCKING NUT |
| 5 | 5334 | VIS H M 6X16 DIN933 | SCHRAUBE HM6X16 | SCREW HM6X16 |
| 6 | 7035 | RDLE PL.B 8,4DIN90 | BEILAGSCHEIBE B8,4 | FLAT WASHER |
| 7 | 7335 | RDLE PL.A 8,4DIN12 | SCHEIBE A 8,4 | WASHER |
| 8 | 20507 | VIS HM 6 X 20 | SECHSKANT.HM 6X20 | BOLT HM 6X20 |
| 9 | 21114 | VIS HM 8X40 | SCHRAUBE 8X40 | BOLT 8X40 |
| 10 | 22029 | RDLE PL.B 6,5DIN69 | BEILAGSCHEIBE B 6,5 | FLAT WASHER 6,5 |
| 11 | 24846 | ENTRETOISE 15X8X5,2 | HÄLSE 15X8X5,2 | SPACER 15X8X5,2 |
| 12 | 25266 | FILTRE A ESSENCE | BENZIN FILTER | FILTER FUEL |
| 13 | 25879 | RDLE AUTOCOLLANTE | FILZSCHEIBE | SELF-ADHESIVE WASHE |
| 14 | 25886 | AGRAFE 17/20 | KLEMME 17/20 | 17/20 CUP |
| 15 | 28177 | POIGNEE LEVIER GAZ | GASHEBEL | GAS GRIP |
| 16 | 29723 | ADAPTATEUR AJM | ADAPTER AJM | ADAPTER AJM |
| 17 | 29934 | BOUCH.RES.GAS-OIL | EINFULLVERSCHLUSS | TANK CAP |
| 18 | 30110 | REDUCTION G3/4 G1/4 | REDUZ.ST3.G3/4 G1/4 | REDUCER G 3/4 G1/4 |
| 19 | 30719 | INSERT M8 | M8 EINSATZ | M8 INSERT |
| 20 | 31100 | RESERVOIR CARBURANT | KRAFTSTOFF TANK | FUEL TANK |
| 21 | 31260 | SUPP.RESERV.CARBUR. | KRAFTSTOFFTANK HALT. | FUEL TANK BRACKET |
| 22 | 31267 | TOLE SUPP.RES.CARB. | KRAFTSTOFFTANK HALT | FUEL TANK BRACKET |
| 23 | 31268 | MOUSSE ISOLANT POT | AUSPUFF ISOLIERUNG | MUFFLER INSULATION |
| 24 | 31327 | CACHE POT | AUSPUFF VERKLEIDUNG | MUFFLER COVER |
| 25 | 35226 | FIX.AVANT CONDUIT | BEFESTIGUNG | BRACKET |
| 26 | 35328 | BUTEE CAOUTCHOUC | GUMMI ANSCHLAG | RUBBER STOP |
| 27 | 35404 | TOLE BLOC.RES.CARB. | DIESEL TANK HALTERG | FUEL TANK BRACKET |
| 28 | 36643 | ROBINET VIDANGE B&S | HAHNE B&S | ROBINET VIDANGE B&S |
| 29 | 36825 | PROTECTION CONSOLE | SCHUTZ | |
| 30 | 37374 | MOTEUR B&S VANGUARD | MOTOR | |
| 31 | 37375 | POT ECHAP.VANGUARD | AUSPUFF VANGUARD | |
| 32 | 37456 | SUPPORT MOTEUR | MOTOR HALTERUNG | |
| 33 | 37635 | TOLE COINCEMENT | PLATTE | |
| 34 | 37639 | TOLE ISOLATION ARR. | HINT.ISOLIER PLATTE | |
| 35 | 37720 | CONDUIT ASPIRATION | ANSAUGSDECKEL | ASPIRATION COVER |
| 37 | 37996 | VIS HM5-16 8.8 EMB | SCHRAUBE HM5-16 8.8 | |
| 39 | 38434 | ENTRETOISE CAOUTCH. | BÜCHSE | |
| 40 | 38757 | COMMANDE GAZ | DROSSELGESTÄNGE | ACCELERATOR |
| 41 | 38791 | TIRETTE STARTER | STARTERZUG | |
| 42 | 39390 | ISOLATION THERMIQUE | ISOLIERUNG | |
| 43 | 39470 | RADIATEUR HUILE | ÖL KÜHLER | |
| 44 | 39483 | ARCEAU REFROIDISS. | BÜGEL | |
| 45 | 39484 | AXE DIA. 8/338 | ACHSE DIA. 8/338 | |
| 46 | 39555 | VIS H UNF 7/16" -3 | SCHRAUBE 7/16" -3 | SCREW UNF 7/16" -3 |
| 47 | 71007 | CLAV.6,35X6,35X28 | KEIL 6,35 X 6,35 X | B-SHAPE KEY 6.35X6. |
| 48 | 71159 | RDLE FREIN 7/16" | SCHEIBE | WASHER 7/16" |
| 49 | 71167 | VIS CHC M5-50,8,8 | SCHRAUBE CHC M5X50 | CHC M5X50 SCREW |
| 50 | 71223 | VIS H M8X50 DIN933 | SCHRAUBE M8X50 | SCREW M8X50 |
| 51 | 71224 | VIS POIG.GAZ 8-32' | SCHRAUBE GASH.8-32" | GAS GRIP SCREW 8-32 |

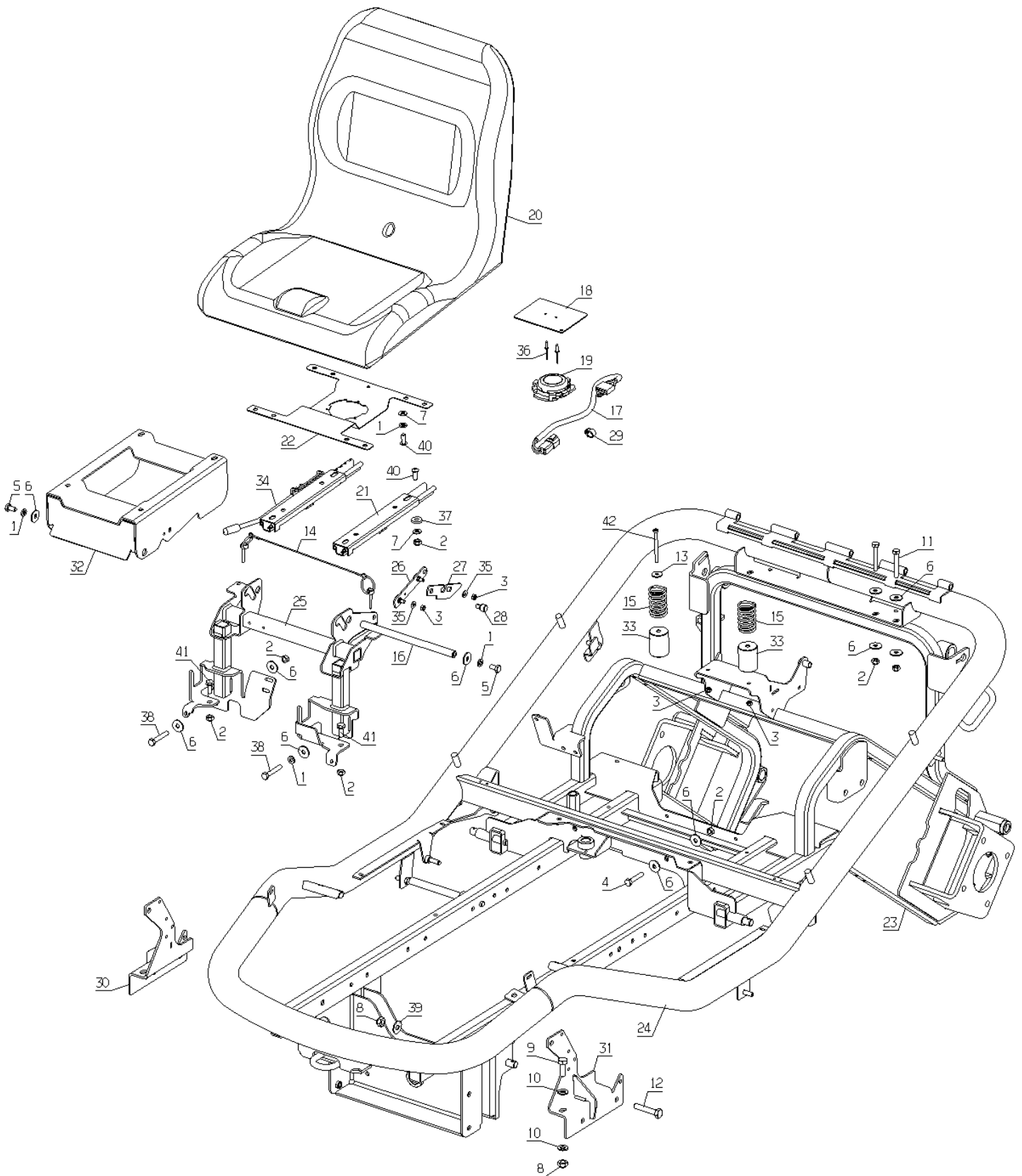
| | | | | |
|----|-------|---------------------|---------------------|--------------------|
| 52 | 71225 | ECROU POIG.GAZ 8-32 | MUTTER GASH. 8-32" | GAS GRIP NUT 8-32" |
| 53 | 71259 | VIS HM 6 X 35 | SECHSKANTSCHR.M6X35 | SCREW HM6X35 |
| 54 | 71284 | VIS HM 5-12,8.8 | SCHRAUBE M5X12 | SCREW HM5X12 |
| 55 | 71327 | RIVET ALU 4X21 | NIETE 4X21 | NAIL RIVET 4X21 |
| 56 | 71413 | VIS HM 8-20 | SCHRAUBE HM 8-20 | SCREW HM 8-20 |
| 57 | 39477 | FLEX ARRIVEE RADIAT | SCHLAUCH | HOSE |
| 58 | 39478 | FLEX RETOUR RADIAT | SCHLAUCH | |



PL01734

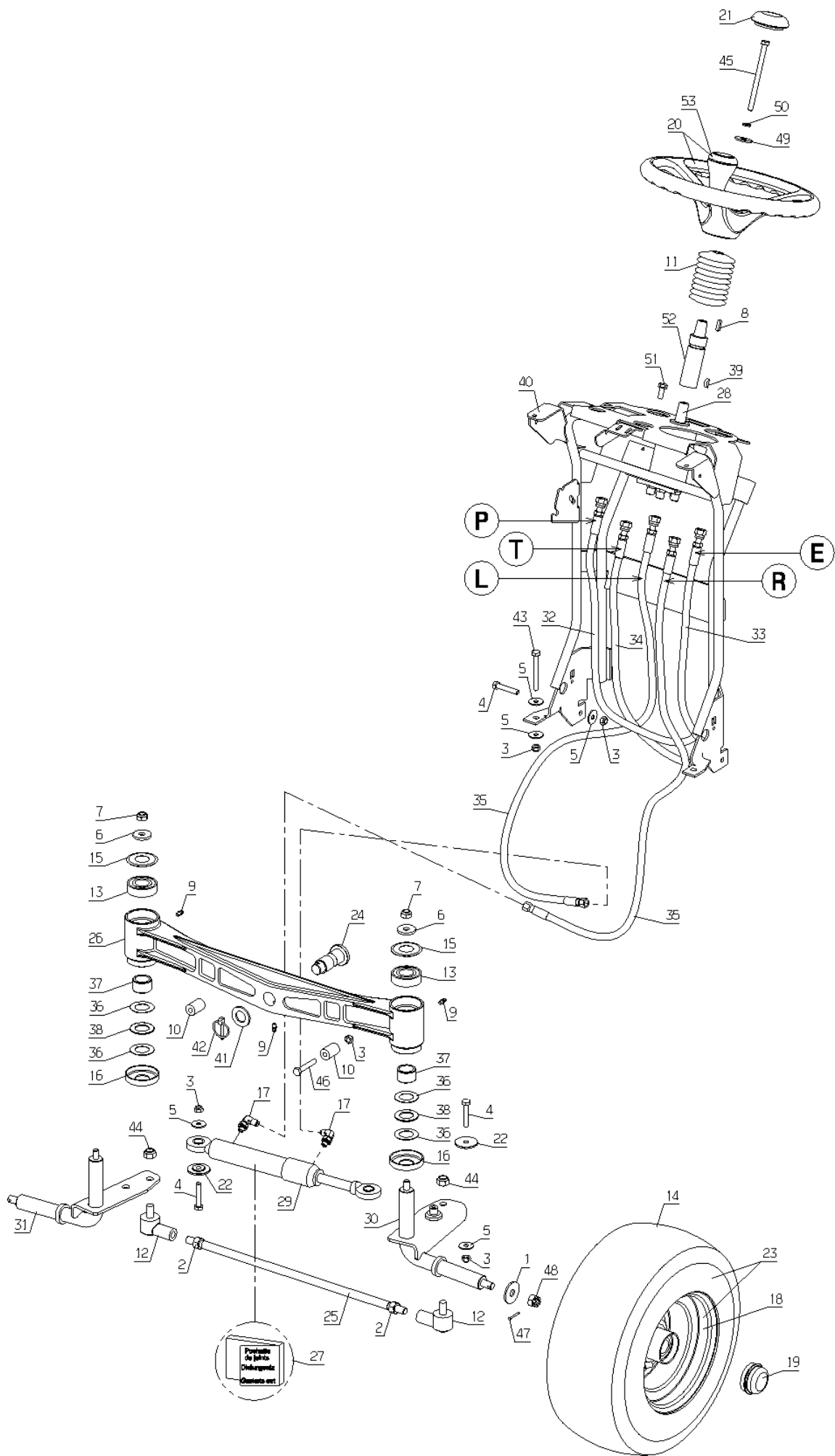
| Rep | Réf ETESIA | | | |
|-----|---------------|---------------------|---------------------|---------------------|
| 1 | 1607 | ECR.AUTOFR.HM5 DIN | STOPMUTTER HM5 | NUT |
| 2 | 2009 | VIS M5 X 16 | SCHRAUBE M5 X 16 | BOLT M5X16 |
| 3 | 2021 | ECR.AUTOFR.HM8 DIN | STOPMUTTER HM 8 DIN | NUT HM8 |
| 4 | 2233 | RONDELLE M 6 FZA ST | FAESCHERSCHEIBE 6,4 | WASHER |
| 5 | 2235 | RDLE PL.A 6,4DIN12 | SCHEIBE A 6.4 | WASHER A6.4 |
| 6 | 5071 | VIS HM 5X20 | SCHRAUBE HM5X20 | BOLT HM 5X20 |
| 7 | 5232 | ECR.AUTOFR.HM6 DIN | STOPMUTTER HM 6 DIN | SELF-LOCKING NUT |
| 8 | 5334 | VIS H M 6X16 DIN933 | SCHRAUBE HM6X16 | SCREW HM6X16 |
| 9 | 16604 | KIT RELAIS DEMARR. | ANLASSERRELAIS KIT | RELAY STARTER KIT |
| 10 | 20564 | RONDELLE PLATE 5,5 | SCHEIBE 5,5 | WASHER 5,5 |
| 11 | 21436 | ECROU NUL 530 | CLIPSMUTTER | CLIPS NUT |
| 12 | 25803 | PORTE FUSIBLE | SICHERUNGSTRAEGER | PLUG FUSE HOLDER |
| 13 | 25824 | FUSIBLE 20A 12V | SICHERUNG 20A 12V | FUSE 20A 12V |
| 14 | 28063 | INTERRUPTEUR LAME | MESSERANTRIEBSCHALT | BLADE SWITCH |
| 15 | 28209 | AVERTISSEUR SONORE | HUPE | ALARM |
| 16 | 28384 | CONTACTEUR A CLEF | ZSNDSCLOSS | KEY CONTACTOR |
| 17 | 28388 | CLEF | ZSNDSCHLÜSSEL | KEY |
| 18 | 28392 | RELAIS INV.ETANCHE | UMSCHALTREL.WASSERD | WATERPROOF RELAY |
| 19 | 29241 | CONNECTEUR RELAIS | RELAJ STECKER | RELAY CONNECTOR |
| 20 | 29258 | CONTACTEUR POSITION | POSITION SCHALTER | POSITION SWITCH |
| 21 | 29260 | INTERR.ON/OFF/ON V. | SCHALTER ON/OFF/ONV | SWITCH ON/OFF/ON V |
| 22 | 29273 | CHASSIS MONTAGE EXT | AUSSENRAHMEN | EXT. FRAME |
| 23 | 29563 | CENTRALE CLIGNOTANT | BLINKERZENTRALE | BLINKER UNIT |
| 24 | 29624 | CENTR.FEUX DETRESSE | WARNBLINKER ZENTRAL | BLINKER UNIT |
| 25 | 29789 | PRESSE ETOUPE | KABELSTOPFBÜCHSE | CONTACTOR GROMMET |
| 26 | 30017 | THERMO CONTACTEUR | THERMOSCHALTER | THERMALCONTACT |
| 27 | 30295 | COUPE BATTERIE | BATTERIE SICHERUNG | BATTERY FUSE |
| 28 | 30599 | FEUX AVANT | VORDER LICHT | FRONT LIGHT |
| 29 | 31405 | CONTACT.POSITION | SCHALTER | SWITCH |
| 30 | 31419 | BATTERIE H100D | BATTERIE H100D | BATTERY H100D |
| 31 | 31439 | EQUERR.BRID.BATTERI | BATTERI BEFESTIGUNG | BATTER.ANGL.BRACKET |
| 32 | 32215 | CLIGNOTANT | BLINKLEUCHTE | BLINKER |
| 33 | 35058 | TOLE CONTACT.P.MORT | OPUNKT SCHALT.PLATE | DEAD PT SWITCH PLAT |
| 34 | 35059 | SUPP.COUBE BATTERIE | HALTERUNG | BRACKET |
| 35 | 35115 | MOUSS.COUBE BATTERI | ISOLIERUNG | INSULATION FOAM |
| 36 | 35213 | BRIDE FIXAT.CONTACT | SCHALTER BEFESTIGG | SWITCH FIXING |
| 37 | 35405 | COMMUTATEUR ROTATIF | DREHSCHALTER | ROTARY SWITCH |
| 38 | 37370 | INSTRUMENT DIA 100 | INSTRUMENT DIA 100 | |
| 39 | 37371 | FAISCEAU ELECTRIQUE | KABELBAUM | |
| 40 | 38126 | ENTRETOISE | BÜCHSE | |
| 41 | 71111 | VIS TOLE B4,8X16 | BLECHSCHRAUBE B4 8X | TAPPING SCREW,DIN 7 |
| 42 | 71284 | VIS HM 5-12,8.8 | SCHRAUBE M5X12 | SCREW HM5X12 |
| 43 | 71373 | VIS B HC M8-20 ZBL | SCHRAUBE M8X20 | SCREW M8X20 |
| 44 | 30638 | AMPOULE H4 | GLÜHBIRNE H4 | BULB H4 |
| 45 | 30015 | AMPOULE FEUX POSIT. | STANDLIGHT GLÜHBIRN | STAND LIGHT AMP. |
| 46 | 30695 | AMPOULE OR.CLIGNOT. | BLINKLICHT GLÜHBIRN | BLINKER BULB |
| 47 | 29261 | INTERR.ON/OFF/ON C2 | SCHALT.ON/OFF/ON C2 | SWITCH ON/OFF/ON C2 |
| 48 | 30086 | CACHE CHASS.MONTAGE | MONTAGERAHMEN DECKE | MOUNTG FRAME COVER |
| 49 | 39841 | SOFT START | SOFT START | |

| | | | | |
|----|-------|---------------------|---------------------|---------------------|
| 50 | 71115 | VIS TP CR M4X16 | KREUTZSCHLITZSCHRAU | RECESSED HEAD SCREW |
| 51 | 39879 | KIT SOFT START | SOFT START KIT | SOFT START KIT |
| 52 | 21525 | ECR.AUTOPR.HM4 DIN | STOPMUTTER HM4 | NUT HM4 |
| 53 | 37829 | PORTE CLE TOURNEVIS | SCHLÜSSELHÄNGER | KEY HANGER |



PL01735

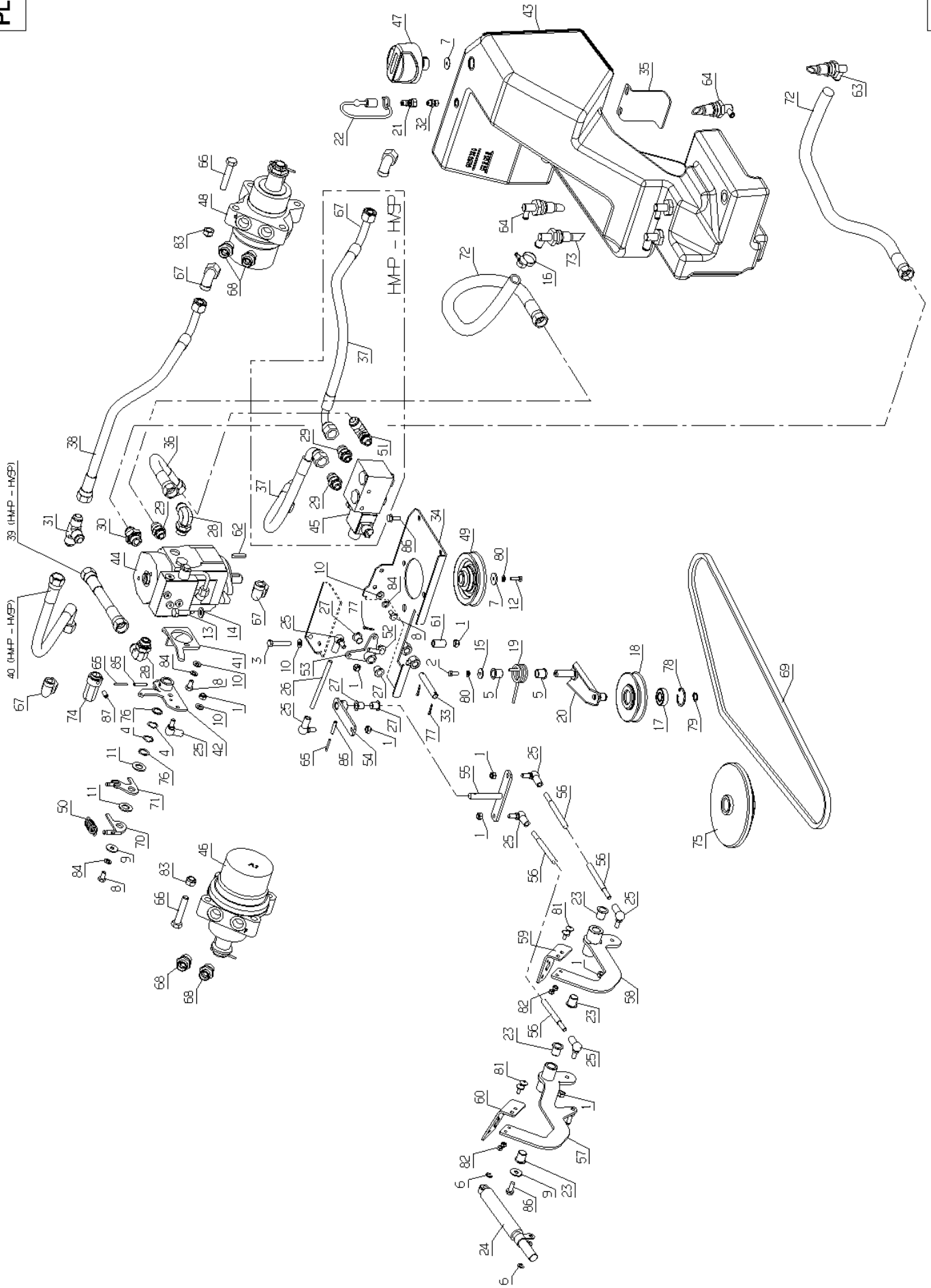
| Rep | Réf ETESIA | | | |
|-----|---------------|---------------------|---------------------|---------------------|
| 1 | 2017 | RDLE EVENT.A8,2 679 | FAECHERSCHEIBE A8,2 | SERRATED LOCK WASHE |
| 2 | 2021 | ECR.AUTOFR.HM8 DIN | STOPMUTTER HM 8 DIN | NUT HM8 |
| 3 | 5232 | ECR.AUTOFR.HM6 DIN | STOPMUTTER HM 6 DIN | SELF-LOCKING NUT |
| 4 | 5340 | VIS H M 8X45 DIN933 | HEXAGON SCREW DIN 9 | HEXAGON SCREW,DIN 9 |
| 5 | 6169 | VIS HM 8X16 DIN 93 | SECHSKANTSCH.HM8X16 | SCREW HM8X16 |
| 6 | 7035 | RDLE PL.B 8,4DIN90 | BEILAGSCHEIBE B8,4 | FLAT WASHER |
| 7 | 7335 | RDLE PL.A 8,4DIN12 | SCHEIBE A 8,4 | WASHER |
| 8 | 9017 | ECR.AUTOFR.HM10 DIN | MUTTER HM10 DI | NUT HM10 |
| 9 | 21035 | VIS HM10-30,8,8 | SECHSK.SCHR.M10X30 | HEX.SCREW M10X30 |
| 10 | 21036 | RDLE PL.A 10,5 DIN1 | BEILAGSCHEIBE 10,5 | FLAT WASHER 10,5 |
| 11 | 21687 | VIS H M 8X55 DIN933 | SECHSKANTSCHRAUBE H | HEXAGON SCREW,DIN 9 |
| 12 | 22009 | VIS HM10-55,8,8 | SECHSK.SCHR.M10X55 | HEX.SCREW M10X55 |
| 13 | 22029 | RDLE PL.B 6,5DIN69 | BEILAGSCHEIBE B 6,5 | FLAT WASHER 6,5 |
| 14 | 28075 | GOUPEL.CLIPS CHAINE | FEDERSTECKER &KETTE | SAFETY PIN & CHAIN |
| 15 | 28112 | RESSORT SIEGE | SITZFEDER | SEAT SPRING |
| 16 | 28315 | AXE ROULEAU AV.96 | ACHSE VORDERROLLE | FR.ROLLER SHAFT 96 |
| 17 | 30688 | FAISCEAU SIEGE | SITZ KABELBAUM | SEAT WIRING |
| 18 | 30689 | TOLE DETECT.OPERAT. | BENÖTZ.DETECT.BLECH | USER DETECT. PLATE |
| 19 | 30690 | CAPTEUR SIEGE | SITZ SCHALTER | SEAT SWITCH |
| 20 | 30691 | SIEGE | SITZ | SEAT |
| 21 | 30714 | GLISSIERE GAUCHE | LINKE SCHIENE | LEFT SEAT GUIDE |
| 22 | 30718 | TOLE CAPTEUR | SCHALTER BLECH | SWITCH PLATE |
| 23 | 31056 | CHASSIS INT.SOUDE | INNERER RAHMEN | INNER FRAME |
| 24 | 31069 | CHASSIS EXTERIEUR | AUSSERER RAHMEN | OUTSIDE FRAME |
| 25 | 31088 | SUPPORT SIEGE | SITZ HALTERUNG | SEAT BRACKET |
| 26 | 31329 | TRINGLE INFERIEURE | UNTERE STANGE | LOWER ROD |
| 27 | 31330 | TOLE TRINGLE SUPERI | OBERE STANGE BLECH | UPPER ROD PLATE |
| 28 | 31333 | AXE TRINGLE | STANGE ACHSE | ROD AXLE |
| 29 | 32219 | AGRAFE 12X2 EP.4 | KLAMMER 12X2 | KLAMP 12X2 |
| 30 | 35065 | TOLE LIAISON AV.D. | HALTERUNG | BRACKET |
| 31 | 35066 | TOLE LIAISON AV.G. | HALTERUNG | BRACKET |
| 32 | 35908 | SUPPORT GLISSIERE | SCHIENE HALTERUNG | |
| 33 | 35911 | REHAUSSE RESS.SIEGE | SITZ FEDER ERH™HUNG | |
| 34 | 37079 | GLISSIERE D.ALLONGE | VERLÖNG.SCHIENE | LENG.SEAT GUIDE |
| 35 | 71075 | RDLE PL.M 6N | SCHEIBE | WASHER |
| 36 | 71113 | RIVET CLOUS DIAM.4X | NIETE 4X14,8 (ALU) | NAIL RIVET, DIA. 4X |
| 37 | 71126 | RDLE PL. 8,4 DIN 73 | BEILAGSCHEIBE 8,4 D | FLAT WASHER,DIN 734 |
| 38 | 71223 | VIS H M8X50 DIN933 | SCHRAUBE M8X50 | SCREW M8X50 |
| 39 | 71238 | RDLE PL. A 10,2 | BEILAGSCHEIBE A10,2 | WASHER A10,2 |
| 40 | 71373 | VIS B HC M8-20 ZBL | SCHRAUBE M8X20 | SCREW M8X20 |
| 41 | 71413 | VIS HM 8-20 | SCHRAUBE HM 8-20 | SCREW HM 8-20 |
| 42 | 71419 | VIS CHC M6-70,8,8 | CHC M6X70 SCHRAUBE | CHC M6X70 SCREW |



PL01736

| Rep | Réf ETESIA | | | |
|-----|---------------|---------------------|---------------------|---------------------|
| 1 | 1517 | RONDELLE 13X40X3 | SCHEIBE 13X40X3 | WASHER 13X40X3 |
| 2 | 1541 | ECROU H.M12 DIN934 | MUTTER HM12 DIN 934 | HEXAGON NUT,DIN 934 |
| 3 | 2021 | ECR.AUTOFR.HM8 DIN | STOPMUTTER HM 8 DIN | NUT HM8 |
| 4 | 5340 | VIS H M 8X45 DIN933 | HEXAGON SCREW DIN 9 | HEXAGON SCREW,DIN 9 |
| 5 | 7035 | RDLE PL.B 8,4DIN90 | BEILAGSCHEIBE B8,4 | FLAT WASHER |
| 6 | 9009 | RDLE PL.11X32X4 | SCHEIBE.11X32X4 | WASHER |
| 7 | 9017 | ECR.AUTOFR.HM10 DIN | MUTTER HM10 DI | NUT HM10 |
| 8 | 20606 | CLAVETTE 5X5X20 | KEIL 5X5X20 | KEY 5X5X20 |
| 9 | 25301 | GRAISSEUR "HYDRAULI | SCHMIERNIPPEL | RH STD "HYDRAULIC" |
| 10 | 25304 | ENTRETOISE | DISTANZHUELSE | SPACER |
| 11 | 25329 | SOUFFLET EN P.V.C. | SCHUTZBALG | PCV BELLOW |
| 12 | 25345 | ROTULE DIRECT.M12 | KUGELGELENK M12 | BALL JOIN M12 |
| 13 | 25475 | RLT A BILLES 6205 2 | KUGELLAGER 6205 | SEALED BALL BEARING |
| 14 | 28351 | PNEU SO/NAT | REIFEN SO/NAT | TYRE SO/NAT |
| 15 | 28530 | RDLE DE PROTECTION | SCHUTZSCHEIBE | PROTECTION WASHER |
| 16 | 29158 | CAPUCHON INFERIEUR | UNTERE KAPPE | LOWER CAP |
| 17 | 29468 | ADAPTEUR CJM | ADAPTER CJM | ADAPTER CJM |
| 18 | 29508 | JANTE AVANT 5,50X8 | VORDERRADFELGE | FRONT RIM 5.50X8 |
| 19 | 29509 | CAPUCHON PROTECTION | SCHUTZKAPPE | PROTECTION CAP |
| 20 | 29900 | VOLANT DE DIRECTION | LENKER | STEERING WHEEL |
| 21 | 29978 | CAPUCHON VOLANT | LENKRAD STOPFEN | STEERING WHEEL CAP |
| 22 | 30263 | RONDELLE EPAULEE | SCHEIBE | WASHER |
| 23 | 31003 | ROUE AVANT COMPLETE | VORDERRAD KPLT | FRONT WHEEL CPL |
| 24 | 31104 | AXE ESSIEU | BOLZEN VORDERACHSE | AXLE SHAFT |
| 25 | 31109 | BIELLE INTERFUSEE | SPURTSTANGE | STUB AXLE ROD |
| 26 | 31115 | ESSIEU AVANT | VORDERACHSE | FRONT AXLE |
| 27 | 30457 | POCHET.JOINT V.PAN | KBZYL.DICHTUNGSATZ | GBX J.BAG OF GASKET |
| 28 | 31233 | ORBITROL | ORBITROL | ORBITROL |
| 29 | 31234 | VERIN DE DIRECTION | LENKUNGS ZYLINDER | STEERING CYLINDER |
| 30 | 31581 | FUSEE GAUCHE | SPURGELENK LINKS | LEFT STUB AXLE |
| 31 | 31599 | FUSEE DROITE | SPURGELENK RECHTS | RIGHT STUB AXLE |
| 32 | 31690 | FLEX.ORBITR.P POMPE | SCHLAUCH | HOSE |
| 33 | 31691 | FLEX.ORBITR.E DIST. | SCHLAUCH | HOSE |
| 34 | 31692 | FLEX.ORBITR.T FILTR | SCHLAUCH | HOSE |
| 35 | 31693 | FLEX.ORBITR.RL VERI | SCHLAUCH | HOSE |
| 36 | 35108 | RDLE CALIBRE AS1105 | SCHEIBE AS1105 | WASHER AS1105 |
| 37 | 35109 | RLT AIGUILL.HMK2520 | NADELLAGER HMK2520 | NAILBEARING HMK2520 |
| 38 | 35110 | BUTE.AIGUIL.AXK1105 | LAGER ANSCHLAG | BEARING STOP |
| 39 | 35159 | CLAVETTE 5X6.5 | KEIL 5X6.5 | KEY 5X6.5 |
| 40 | 37672 | SUPPORT DIRECTION | LENKUNGSHALTERUNG | STEERING BRACKET |
| 41 | 71002 | RDLE PL. A 21 | BEILAGSCHEIBE A 21 | FLAT WASHER,DIN 125 |
| 42 | 71005 | GOUP. A CLIPS 5X32 | FEDERSTECKER | SAFETY PIN,DIN 1102 |
| 43 | 71068 | VIS H M 8X70 | SECHSKANTSCHRAUBE H | HEXAGON SCREW,DIN 9 |
| 44 | 71157 | ECROU AUTOFR.HM12 | MUTTER | NUT AUTOFR.HM12 |
| 45 | 71171 | VIS H M8-120,8.8 | SCHRAUBE | SCREW |
| 46 | 71223 | VIS H M8X50 DIN933 | SCHRAUBE M8X50 | SCREW M8X50 |
| 47 | 71294 | GOUP.FENDUE 3,2X22 | SPLINTE 3,2 X 22 | SPLIT PIN 3,2 X 22 |
| 48 | 71295 | ECROU HK M12X1,25 | MUTTER HK M12X1,25 | NUT HK M12X1,25 |
| 49 | 71311 | RONDELLE 8X30X2,5 | SCHEIBE 8X30X2,5 | WASHER 8X30X2,5 |

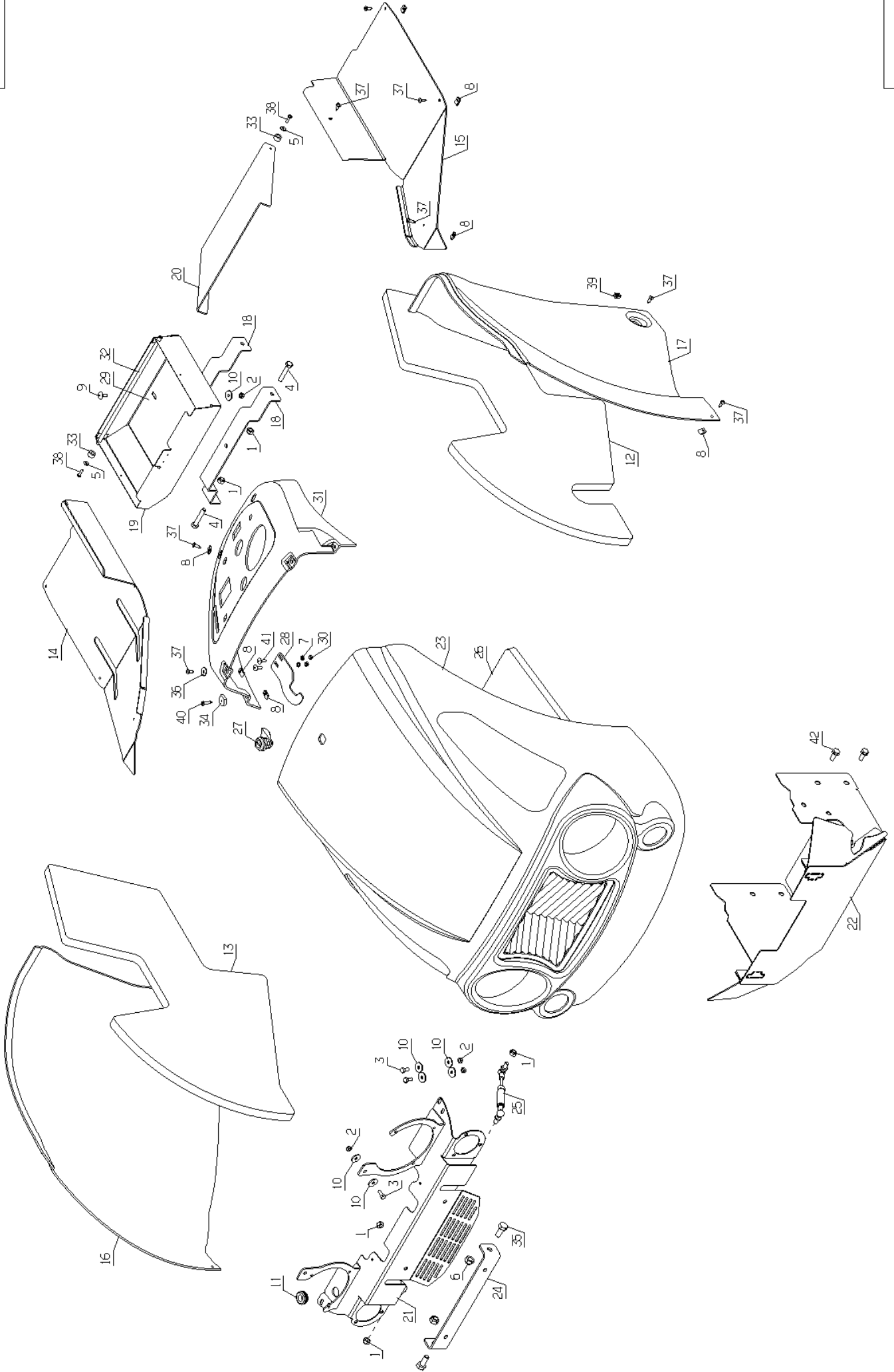
| | | | | |
|----|-------|----------------|--------------------|---------------------|
| 50 | 71343 | RDLE GROWER A8 | FEDERSCHEIBE A8 | SPRING WASHER A8 |
| 51 | 71413 | VIS HM 8-20 | SCHRAUBE HM 8-20 | SCREW HM 8-20 |
| 52 | 37675 | EMBASSE VOLANT | LENKRAD SITZFLÄCHE | |
| 53 | 29923 | POMMEAU VOLANT | HOBELKNAUF | STEERING WHEEL GAIT |



PL01737

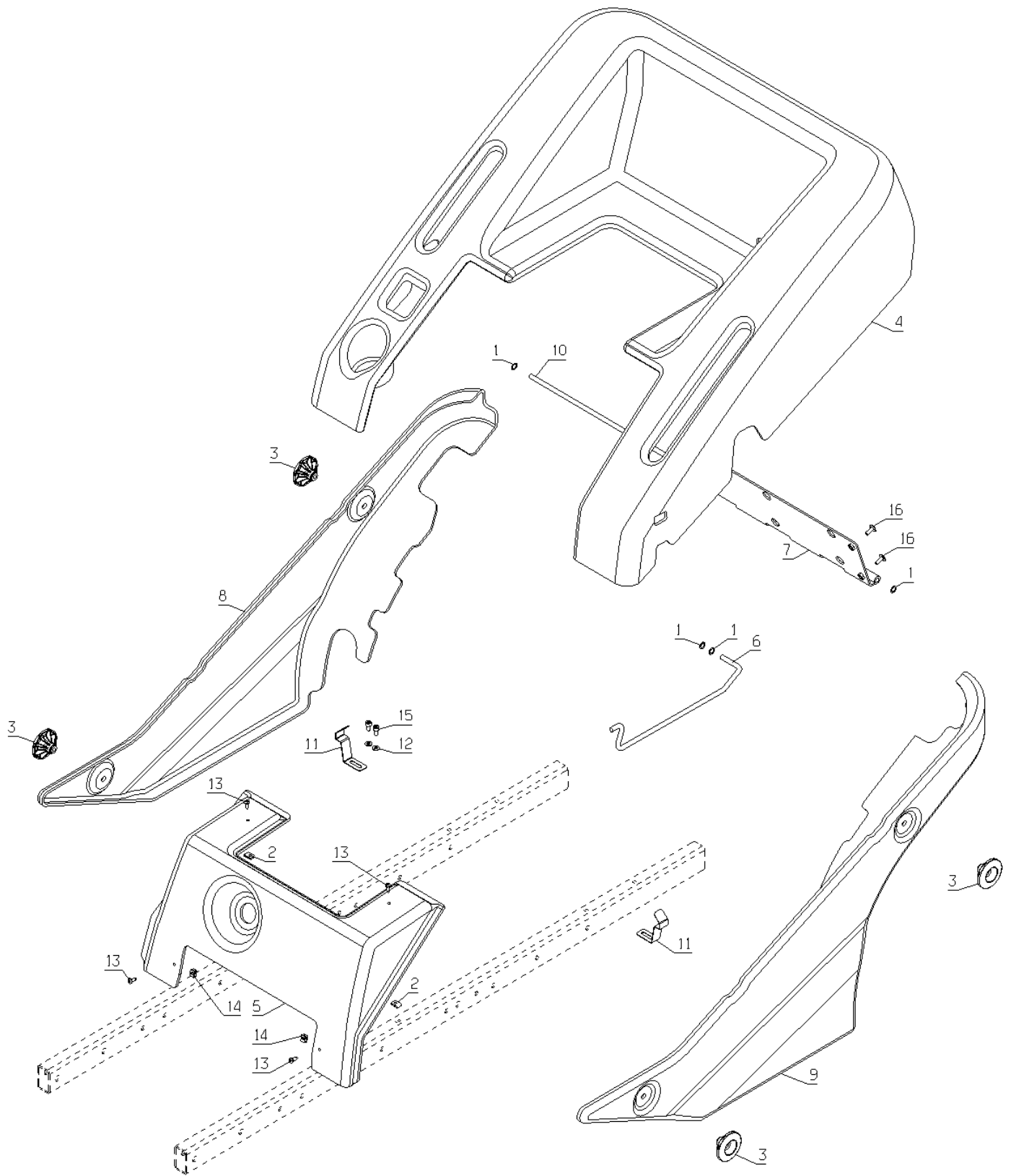
| Rep | Réf ETESIA | | | |
|-----|---------------|----------------------|---------------------|---------------------|
| 1 | 2021 | ECR.AUTOFR.HM8 DIN | STOPMUTTER HM 8 DIN | NUT HM8 |
| 2 | 5334 | VIS H M 6X16 DIN933 | SCHRAUBE HM6X16 | SCREW HM6X16 |
| 3 | 5340 | VIS H M 8X45 DIN933 | HEXAGON SCREW DIN 9 | HEXAGON SCREW,DIN 9 |
| 4 | 5411 | RONDELLE | SCHEIBE | WASHER |
| 5 | 5455 | BAGUE C14/18X18 BP | LAGERBUÈCHSE C14/18 | SELF-LUBRIC.RING C1 |
| 6 | 5602 | ANNEAUX TRUARCS | RING TRUARC | ANNEAUX TRUARCS |
| 7 | 5604 | RONDELLE PLATE LL6N | SCHEIBE LL 6N | WASHER |
| 8 | 6169 | VIS HM 8X16 DIN 93 | SECHSKANTSCH.HM8X16 | SCREW HM8X16 |
| 9 | 7035 | RDLE PL.B 8,4DIN90 | BEILAGSCHEIBE B8,4 | FLAT WASHER |
| 10 | 7335 | RDLE PL.A 8,4DIN12 | SCHEIBE A 8,4 | WASHER |
| 11 | 9034 | RDLE NYLON | NYLON SCHEIBE | NYLON WASHER |
| 12 | 20507 | VIS HM 6 X 20 | SECHSKANT.HM 6X20 | BOLT HM 6X20 |
| 13 | 21035 | VIS HM10-30,8.8 | SECHSK.SCHR.M10X30 | HEX.SCREW M10X30 |
| 14 | 21036 | RDLE PL.A 10,5 DIN1 | BEILAGSCHEIBE 10.5 | FLAT WASHER 10.5 |
| 15 | 22029 | RDLE PL.B 6,5DIN69 | BEILAGSCHEIBE B 6,5 | FLAT WASHER 6,5 |
| 16 | 25007 | COLLIER 16/27 | SCHELLE 16/27 | COLLAR 16/27 |
| 17 | 25112 | RLT A BILLES 6202 | KUGELLAGER 6202 | BALL BEARING,6202 S |
| 18 | 25509 | POULIE TENDEUR DIAM | SPANNSCHEIBE P 90 | TENSIONING PULLEY |
| 19 | 25511 | RESSORT DE TORSION | FEDER | UPPER BELT TIGHTENE |
| 20 | 26511 | TEND.COURROIE SUP. | RIEMENSPANNER | SPA UPPER BELT TIGH |
| 21 | 27116 | COUPLEUR MALE 1/8 | KOPPLER 1/8 | MALE COUPLER 1/8 |
| 22 | 27126 | CAPUCHON COUPLEUR | KOPPLER KAPPE | COUPLER HOOD |
| 23 | 28070 | COUSSINET 15/17/20 | BÈCHSE 15/17/20 | SLEEVE |
| 24 | 28143 | AMORTISS.TRANS.M.AV. | STOSSDÈMPFER | SHOCK ABSORBER |
| 25 | 28234 | ROTULE M8 | KUGELGELENK M8 | KNUCKLE M8 |
| 26 | 28508 | TRINGLE FREIN PARK | PARKBREMSE GESTÈNGE | PARKING BRAKE ROD |
| 27 | 28555 | COUSSINET 12/14/15 | BÈCHSE 12/14/15 | SLEEVE 12/14/15 |
| 28 | 29450 | ADAPTATEUR CJM | ADAPTER CJM | ADAPTER CJM |
| 29 | 29459 | ADAPTATEUR AJM | ADAPTER AJM | ADAPTER AJM |
| 30 | 29466 | ADAPTATEUR AJM | ADAPTER AJM | ADAPTER AJM |
| 31 | 29470 | ADAPTATEUR HJM | ADAPTER HJM | ADAPTER HJM |
| 32 | 29962 | UNION 6L 1/8 | VERBINDUNG 6L 1/8 | UNION 6L 1/8 |
| 33 | 31067 | ARBRE RENVOI CDE | BEDIENUNGSACHSE | DRIVING SHAFT |
| 34 | 31077 | TOLE SUPP. POMPE | PUMPE HALTERUNG | PUMP BRACKET |
| 35 | 31256 | TOLE SUPP.RES.HYDRO | HYD.TANK HALTERUNG | HYD. TANK BRACKET |
| 36 | 31619 | FLEX.POMPE TA DIVIS | SCHLAUCH | HOSE |
| 37 | 31620 | FLEX.DIVISEUR MOT. | SCHLAUCH | HOSE |
| 38 | 31621 | FLEXIBLE MOTEUR TE | SCHLAUCH | HOSE |
| 39 | 31622 | FLEXIBLE TE POMPE | SCHLAUCH | HOSE |
| 40 | 31628 | FLEX.MOTEUR TE D | SCHLAUCH | HOSE |
| 41 | 31643 | RÈGLAGE POINT NEUTR | NUL PUNKT EINSTELG | DEAD POINT ADJUST. |
| 42 | 31646 | BIELLETTE POMPE | PUMPE PLEUELSTANGE | PUMP ROD |
| 43 | 31649 | RESER.HYDRAULIQUE | HYD. TANK | HYD. TANK |
| 44 | 31650 | POMPE TA | ANTRIEBSPUMPE | TRANSMISSION PUMP |
| 45 | 31651 | DIVISEUR DE DEBIT | VERTEILER | FLOW DIVIDER |
| 46 | 31652 | MOTEUR ROUE DROIT | RECHTER RADMOTOR | RIGHT WHEEL ENGINE |
| 47 | 31654 | -> 38562 | -> 38562 | -> 38562 |
| 48 | 31657 | MOTEUR ROUE GAUCHE | LINKER RADMOTOR | LEFT WHEEL ENGINE |
| 49 | 31658 | POULIE POMPE | SCHEIBE | PULLEY |

| | | | | |
|----|-------|---------------------|----------------------|---------------------|
| 50 | 31659 | RESSORT DE RAPPEL | FEDER | SPRING |
| 51 | 31660 | ADAPTATEUR | ADAPTER | ADAPTER |
| 52 | 31669 | TIGE LEVIER POMPE | PUMPE HEBEL STANGE | PUMP LEVER ROD |
| 53 | 31672 | RENOI COMMANDE | WINKEL STEUERUNG | CORNER CONTROL |
| 54 | 31675 | RENOI PEDALE | WINKEL PEDALE | CORNER PEDAL |
| 55 | 31678 | INVERSEUR PEDALE | PEDALEN PLATTE | PEDAL PLATE |
| 56 | 31681 | TIGE PEDALE | PEDALE STANGE | PEDAL ROD |
| 57 | 31686 | BIELLE AVANCE | VOR.PLEUELSTANGE | FOR ROD |
| 58 | 31687 | BIELLE REcul | RÜCK PLEUELSTANGE | BACK ROD |
| 59 | 31688 | PEDALE REcul | RÜCKWERTS PEDALE | FORWARD PEDAL |
| 60 | 31689 | PEDALE AVANCE | ANTRIEBSPEDALE | REVERSE PEDAL |
| 61 | 31694 | ENTRETETOISE | BÜCHSE | SPACER |
| 62 | 34069 | CLAVETTE 6X6X32 | KEIL 6X6X32 | KEY 6X6X32 |
| 63 | 35257 | PIPETTE TUBE 16 | PIPETTE TUBE 16 | PIPETTE TUBE 16 |
| 64 | 35258 | PIPETTE TUBE 10 | PIPETTE TUBE 10 | PIPETTE TUBE 10 |
| 65 | 35290 | GOUPEL ELASTIQ.3X30 | KERBSTIFT 3X30 | SPIRAL PIN 3X30 |
| 66 | 35356 | VIS HM12-65,8,8 | SCHRAUBE HM12-65 | |
| 67 | 35406 | ADAPT.15L F15L | ADAPTER 15L F15L | |
| 68 | 35407 | ADAPT.M22X1,5 15L | ADAPTER M22X1,5 15L | |
| 69 | 37439 | COURROIE TRANSMISS. | RIEMEN | |
| 70 | 37545 | BIEL.NEUTRE REcul | PLEUELSTANGE | ROD |
| 71 | 37546 | BIEL.NEUTRE AVANCE | PLEUELSTANGE | |
| 72 | 37572 | FLEX.DRAIN POMPE TA | SCHLAUCH | |
| 73 | 37573 | PIPETTE TUBE 16 | PIPETTE 16 | PIPETTE 16 |
| 74 | 38626 | RALLONGE BY PASS | BY PASS VERLÄNGERUNG | |
| 75 | 38816 | POULIE SORTIE MOT. | SCHLEIBE | PULLEY |
| 76 | 71016 | RDLE 16X22X1 DIN988 | SCHLEIBE 16X22X1 | WASHER 16X22X1 |
| 77 | 71018 | GOUPILLE FENDUE V3, | SPLINTE V 3,2 X 18 | V3,2 SPLIT PIN |
| 78 | 71039 | CIRCL.INT.35X1,5 | SEEGERING 35X1,5 | CIRCLIP,DIN 427 35X |
| 79 | 71047 | CIRCL.EXT. 15X1 | SEEGERING 15X1 | CIRCLIP DIN 471 15X |
| 80 | 71049 | RDLE GROWER A6 | FEDERING A6 DIN 12 | SPRING WASHER,DIN 1 |
| 81 | 71069 | VIS J M 6X16 DIN603 | SCHRAUBE JM 6X16 DI | BOLT DIN 603 |
| 82 | 71073 | ECROU AUTOFR.HM6 | STOPMUTTER HM6 | SELF LOCKING NUT |
| 83 | 71157 | ECROU AUTOFR.HM12 | MUTTER | NUT AUTOFR.HM12 |
| 84 | 71343 | RDLE GROWER A8 | FEDERSCHLEIBE A8 | SPRING WASHER A8 |
| 85 | 71390 | GOUPEL ELASTIQ.5-30 | KERBSTIFT 5-30 | SPIRAL PIN 5-30 |
| 86 | 71413 | VIS HM 8-20 | SCHRAUBE HM 8-20 | SCREW HM 8-20 |
| 87 | 71420 | VIS PRESSION M8-16 | WURMSCHRAUBE M8X16 | IN.HEX SCREW M8X16 |



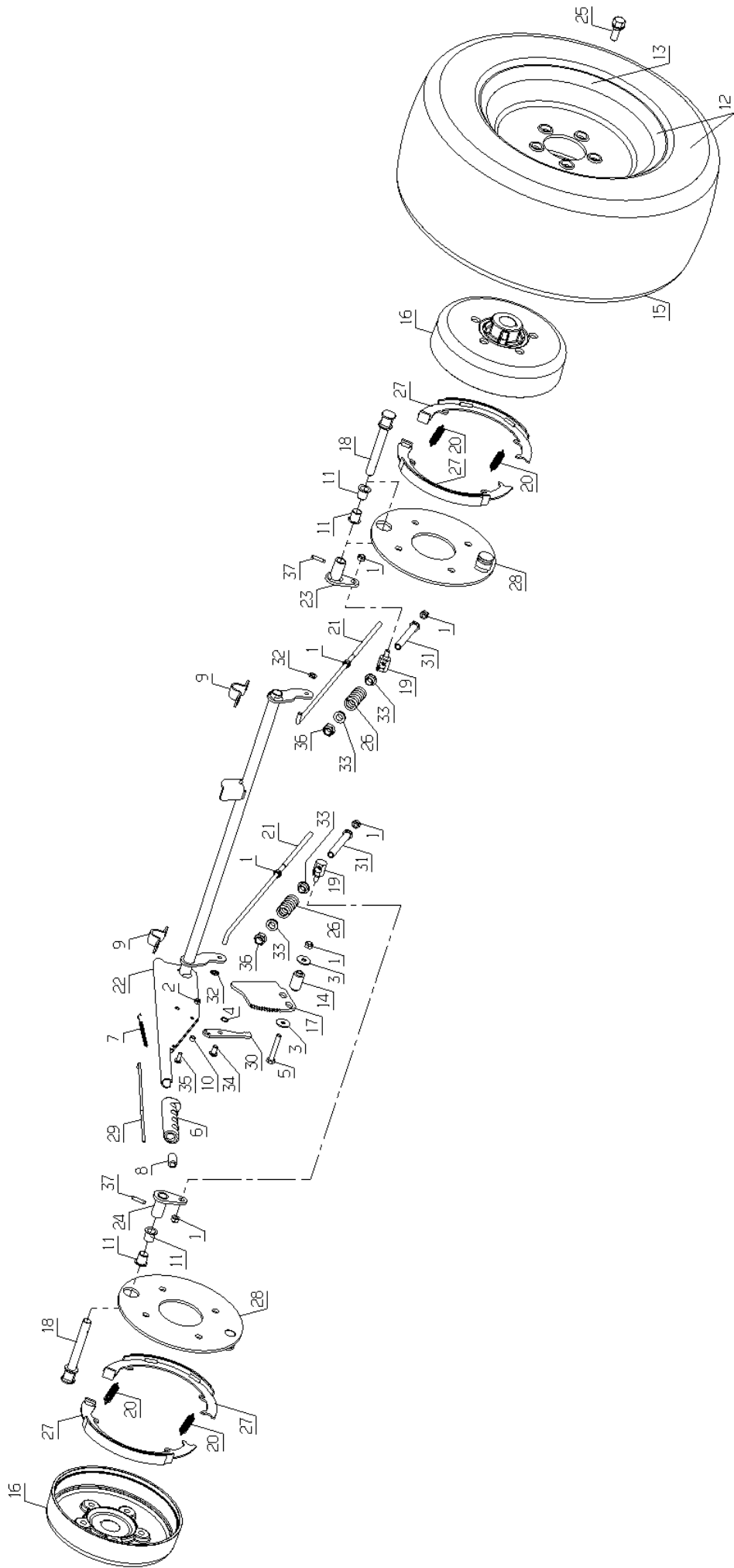
PL01738

| Rep | Réf ETESIA | | | |
|-----|---------------|---------------------|---------------------|---------------------|
| 1 | 2021 | ECR.AUTOFR.HM8 DIN | STOPMUTTER HM 8 DIN | NUT HM8 |
| 2 | 5232 | ECR.AUTOFR.HM6 DIN | STOPMUTTER HM 6 DIN | SELF-LOCKING NUT |
| 3 | 5334 | VIS H M 6X16 DIN933 | SCHRAUBE HM6X16 | SCREW HM6X16 |
| 4 | 5340 | VIS H M 8X45 DIN933 | HEXAGON SCREW DIN 9 | HEXAGON SCREW,DIN 9 |
| 5 | 7094 | RDLE PL.B 4,3DIN90 | BEILAGSCHEIBE B 4,3 | FLAT WASHER |
| 6 | 9017 | ECR.AUTOFR.HM10 DIN | MUTTER HM10 DI | NUT HM10 |
| 7 | 20564 | RONDELLE PLATE 5,5 | SCHEIBE 5,5 | WASHER 5,5 |
| 8 | 21436 | ECROU NUL 530 | CLIPSMUTTER | CLIPS NUT |
| 9 | 21608 | VIS JAPY M6X16 | SCHRAUBE M6X16 | SCREW 6X16 DIN |
| 10 | 22029 | RDLE PL.B 6,5DIN69 | BEILAGSCHEIBE B 6,5 | FLAT WASHER 6,5 |
| 11 | 28292 | PASSE FIL DIA.14 | GUMMI-™SE DIA.14 | RUBBER FUNEL DIA.14 |
| 12 | 31018 | ISOLAT.PHONIQUE G. | LINKE ISOLATION | ISOLATION LEFT |
| 13 | 31019 | ISOLAT.PHONIQUE D. | ISOLATION RECHTS | ISOLATION RIGHT |
| 14 | 31062 | MARCHE PIED DROIT | RECHTES TRITTBRETT | RIGHT STEP |
| 15 | 31063 | MARCHE PIED GAUCHE | LINKES TRITTBRETT | LEFT STEP |
| 16 | 31083 | CAPOT LAT.MOTEUR D. | R.SEIT.MOTOR HAUBE | R.SIDE ENGINE COVER |
| 17 | 31084 | CAPOT LAT.MOTEUR G. | L.SEIT.MOTOR HAUBE | L.SIDE ENGINE COVER |
| 18 | 31180 | SUPPORT BOITE OUTIL | GESCHIRKISTE HALT. | TOOL BOX BRACKET |
| 19 | 31181 | BOITE A OUTILS | GESCHIRKISTE | TOOL BOX |
| 20 | 31182 | COUVERCL.BTE OUTILS | GESCHIRKIST.DECKEL | TOOL BOX COVER |
| 21 | 31322 | SUPPORT FEUX AVANT | VORD.LAMPEN HALTERG | FRONT LIGHT BRACKET |
| 22 | 31326 | CACHE DIRECTION | LENKUNGS VERKLEIDG | STEERING COVER |
| 23 | 39666 | CAPOT MOT.BL+ISOL. | MOTOR HAUBE + ISOL. | ENGINE COVER + ISOL |
| 24 | 32000 | ARTICUL.CAPOT MOT. | MOTORHAUBE GELENK | ENGINE COVER HINGE |
| 25 | 32015 | VERIN GAZ CAPOT MOT | ABDECKUNGSZYLINDER | COVER JACK |
| 26 | 32022 | ISOLATION PHON.AV. | VORDERE SCHALLDZMM | FRONT SOUND INSULA |
| 27 | 32126 | VERROU CAPOT MOTEUR | MOTORHAUBE VERIEGE | ENGINE COVER LOCK |
| 28 | 32136 | BUTEE VERROU | VERIEGELUNG ANSCHLA | LOCK STOP |
| 29 | 35498 | REVET.BOITE A OUTIL | VERKLEIDUNG | |
| 30 | 37561 | ECROU H FR M5,10 | MUTTER M5,10 | NUT |
| 31 | 37843 | PLANCHE DE BORD | SCHALTAFFEL | DASH BOARD |
| 32 | 38425 | AXE BOITE A OUTILS | WERKZEUGSKAST.ACHSE | |
| 33 | 38434 | ENTRETOISE CAOUTCH. | BŠCHSE | |
| 34 | 38827 | RONDELLE CAOUTCHOUC | GUMMI SCHEIBE | RUBBER WASHER |
| 35 | 70086 | VIS H M10X25 DIN933 | SECHSKANTSCHRAUBE H | HEXAGON SCREW,DIN 9 |
| 36 | 71096 | RDLE PL.B 6,4 | BEILAGSCHEIBE B6,4 | WASHER B6,4 |
| 37 | 71111 | VIS TOLE B4,8X16 | BLECHSCHRAUBE B4 8X | TAPPING SCREW,DIN 7 |
| 38 | 71115 | VIS TP CR M4X16 | KREUTZSCHLITZSCHRAU | RECESSED HEAD SCREW |
| 39 | 71145 | ECROU NUL 536 | MUTTER | NUT 536 |
| 40 | 71230 | VIS TOLE B4,8X22 | BLESCHSCHR.B4,8X22 | TAPP. SCREW B4,8X22 |
| 41 | 71231 | VIS JM5-16,12.9 | SCHRAUBE JM5-16 | SCREW JM5-16 |
| 42 | 71413 | VIS HM 8-20 | SCHRAUBE HM 8-20 | SCREW HM 8-20 |



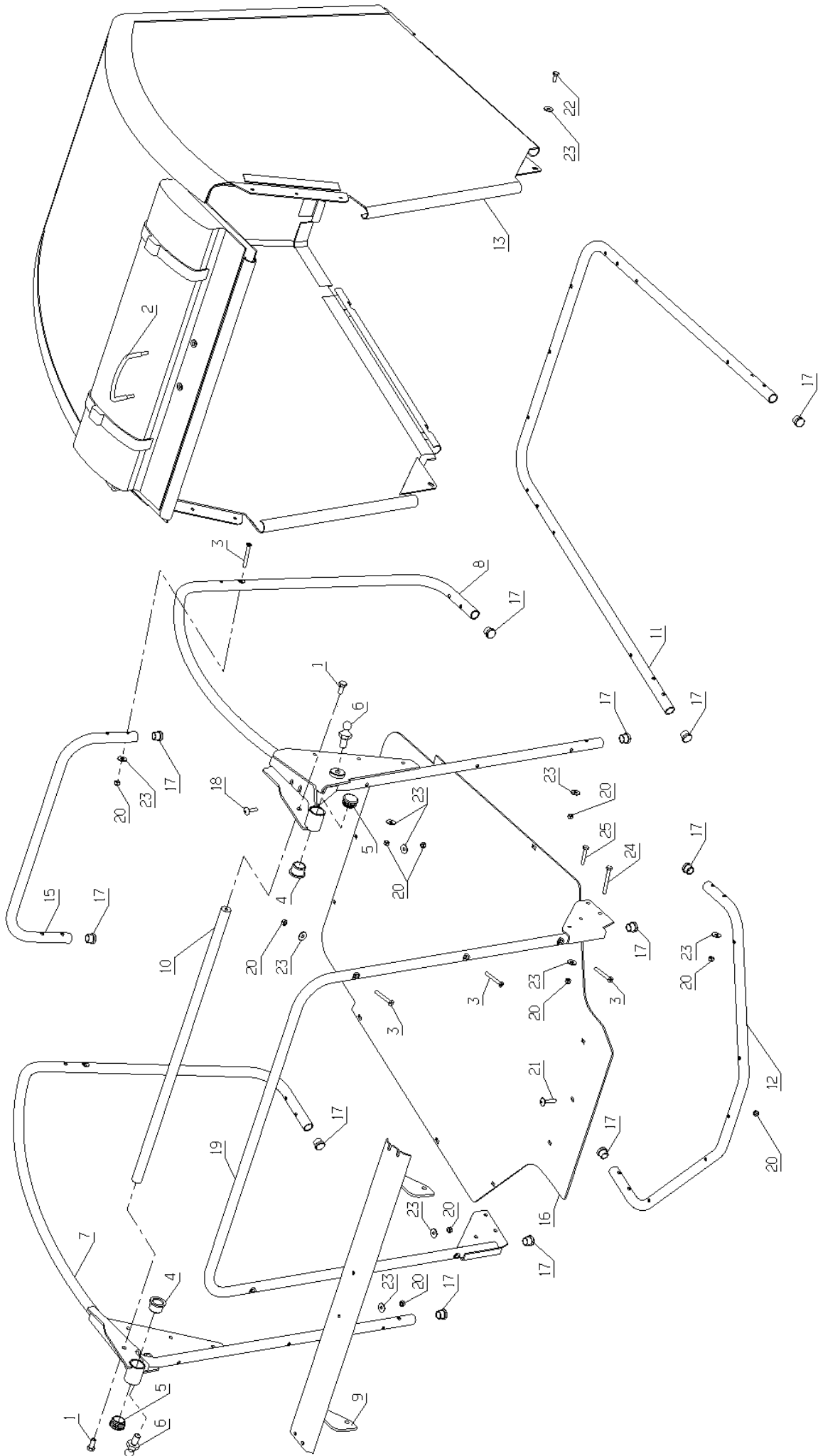
PL01596

| Rep | Réf ETESIA | | | |
|-----|---------------|---------------------|---------------------|---------------------|
| 1 | 7377 | GRIFFAXE RENF. 8 | BOLZENCLIP | TRUARC COLLAR DIN 7 |
| 2 | 21436 | ECROU NUL 530 | CLIPSMUTTER | CLIPS NUT |
| 3 | 24610 | BOUTON (PETIT) | HANDRAD | BUTTON (SMALL) |
| 4 | 31061 | CAPOT CENTRAL | MITLERE HAUBE | CENTRAL COVER |
| 5 | 31082 | CAPOT CENTRAL FIXE | FESTE MITLERE HAUBE | FIXED CENTRAL COVER |
| 6 | 31085 | TRINGLE CAPOT CENT. | MITL.HAUBE GESTÄNGE | CENTRAL COVER ROD |
| 7 | 31176 | CHARNIERE SUP.CAPOT | CHARNIER | HINGE |
| 8 | 31250 | CAPOT LATERAL DROIT | SEITLI.VERKLEIDG R. | RIGHT SIDE COVER |
| 9 | 31251 | CAPOT LATERAL GAUCH | SEITLI.VERKLEIDG.L. | LEFT SIDE COVER |
| 10 | 35162 | AXE CHARNIERE CAPOT | ACHSE | AXLE |
| 11 | 35745 | RESSORT CAPOT | MOTOR HAUBE BEFEST. | |
| 12 | 71094 | RDLE PL.A 6,4 | SCHEIBE 6,4 | WASHER 6,4 |
| 13 | 71111 | VIS TOLE B4,8X16 | BLECHSCHRAUBE B4 8X | TAPPING SCREW,DIN 7 |
| 14 | 71145 | ECROU NUL 536 | MUTTER | NUT 536 |
| 15 | 71232 | VIS CHC 6X12-8,8 | IMBUSSCHRAUBE M6X12 | CHC SCREW M6X12 |
| 16 | 71361 | VIS RL X M6-16 | SCHRAUB.RL X M6X16 | SCREW RL X M6X16 |



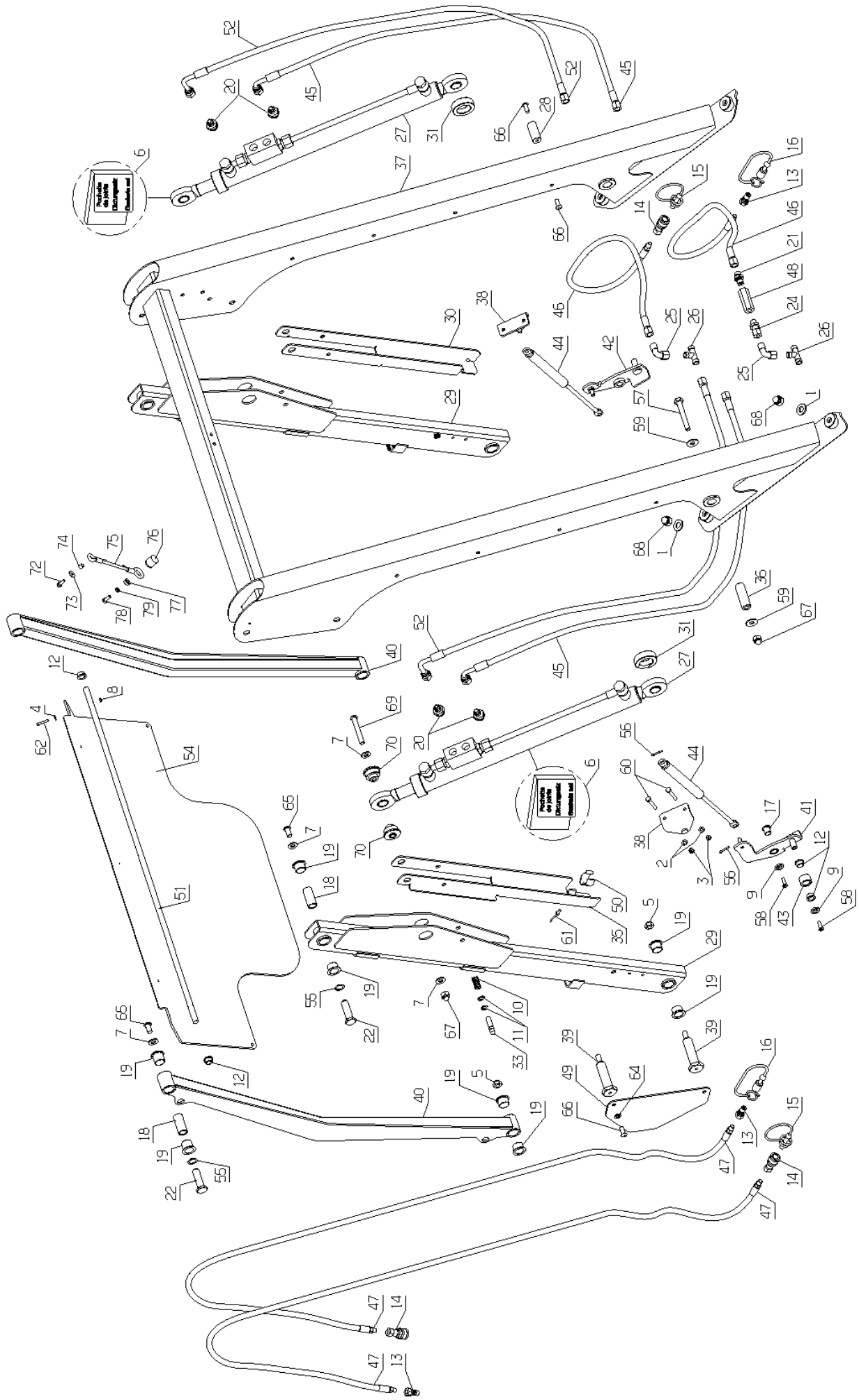
PL01740

| Rep | Réf ETESIA | | | |
|-----|---------------|---------------------|---------------------|---------------------|
| 1 | 2021 | ECR.AUTOFR.HM8 DIN | STOPMUTTER HM 8 DIN | NUT HM8 |
| 2 | 5232 | ECR.AUTOFR.HM6 DIN | STOPMUTTER HM 6 DIN | SELF-LOCKING NUT |
| 3 | 7035 | RDLE PL.B 8,4DIN90 | BEILAGSCHEIBE B8,4 | FLAT WASHER |
| 4 | 7377 | GRIFFAXE RENF. 8 | BOLZENCLIP | TRUARC COLLAR DIN 7 |
| 5 | 21687 | VIS H M 8X55 DIN933 | SECHSKANTSCHRAUBE H | HEXAGON SCREW,DIN 9 |
| 6 | 25421 | POIGNEE | HANDGRIFF | GRIP |
| 7 | 25422 | RESSORT DE RAPPEL | HAKENFEDER | RATCHET PULL-BACK S |
| 8 | 25429 | BOUTON POUSSOIR | DRUCKKNOPF | PARKING BRAKE RELEA |
| 9 | 25711 | CAVALIER | FUEHRUNGLAGER | STRAP |
| 10 | 25887 | ENTRET.MARCHE-PIED | DISTANZHUELSE | STEP SPACER |
| 11 | 28070 | COUSSINET 15/17/20 | BÛCHSE 15/17/20 | SLEEVE |
| 12 | 31004 | ROUE ARRIERE CPL TE | HINTERRAD KPLT | REAR WHEEL CPL |
| 13 | 31060 | JANTE AR.7.00X12 | HINTERRADFELGE 7X12 | REAR WHEEL RIM 7X12 |
| 14 | 31087 | ENTRETOISE CRANTAGE | RASTUNGS HÛLSE | INDEXING SPACER |
| 15 | 31280 | PNEU AR. 23X8,50-12 | H.REIFEN 23X8,50-12 | REAR TYRE23X8,50-12 |
| 16 | 31356 | MOYEU TAMBOUR + TS | BREMSTROMMEL | BRAKE DRUM |
| 17 | 31360 | CRANTAGE FREIN | BREMSTRASTUNG | BRAKE INDEXING |
| 18 | 31362 | AXE COMMANDE FREIN | BREMSACHSE | BRAKE AXLE |
| 19 | 31364 | TOURILLON | STÛZNER | QUOIN |
| 20 | 31368 | RESSORT DE TRACTION | FEDER | SPRING |
| 21 | 31369 | TIGE DE FREIN | BREMSSTANGE | BRAKE ROD |
| 22 | 31372 | LEVIER FREIN | BREMSHEBEL | BRAKE LEVER |
| 23 | 31377 | BIELL.FREIN GAUCHE | BREMSSCHWINGARM L. | LEFT BRAKE ROD |
| 24 | 31378 | BIELL.FREIN DROITE | BREMSSCHWINGARM R. | RIGHT BRAKE ROD |
| 25 | 32152 | VIS FIXATION ROUE | RADBEFEST.SCHRAUBE | WHEEL FITTING SCREW |
| 26 | 35111 | RESSORT COMPRESSION | FEDER | SPRING |
| 27 | 35136 | MACHOIRE DE FREIN | BREMSBACKE | BRAKE SHOE |
| 28 | 35181 | CACHE FREIN | BREMSDECKEL | BRAKE COVER |
| 29 | 35207 | TIGE DE COMMANDE | STEUERPLEVELSTANGE | CONTROL ROD |
| 30 | 35266 | DOIGT INDEXAGE | ZEIGER FINGER | RATCHET |
| 31 | 35268 | GUIDE | FÛHRUNG | GUIDE |
| 32 | 35285 | GRIFFAXE RENF.7 | BOLZENCLIP 7 | TRUARC COLLAR 7 |
| 33 | 35522 | DOUILLE | BÛCHSE | SPACER |
| 34 | 71041 | AXE TYPE A 8X16 | BOLZEN TYP A 8X16 D | A TYPE SHAFT,DIN 14 |
| 35 | 71106 | VIS T PL CR M6X16 | KREUTZSCHLITZLINSEN | RECESSED HEAD SCREW |
| 36 | 71157 | ECROU AUTOFR.HM12 | MUTTER | NUT AUTOFR.HM12 |
| 37 | 71248 | GOUPIL.ELAS.5-26 | KERBSTIFT 5X26 | SPIRAL PIN 5X26 |



PLO1109

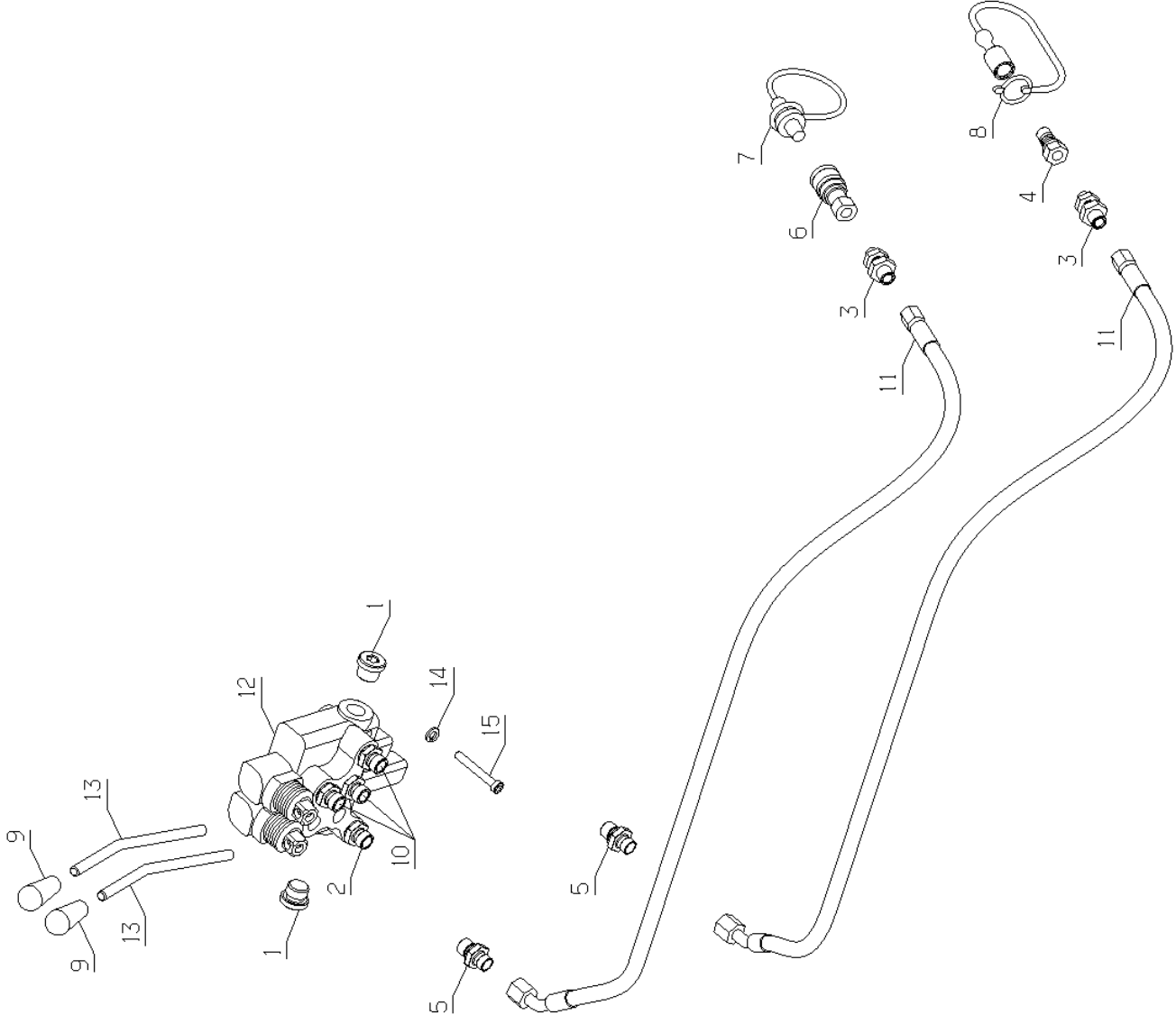
| Rep | Réf ETESIA | | | |
|-----|---------------|---------------------|---------------------|---------------------|
| 1 | 71413 | VIS HM 8-20 | SCHRAUBE HM 8-20 | SCREW HM 8-20 |
| 2 | 7369 | POIGNEE PORTEUSE | GRIFF | HANDLE |
| 3 | 20571 | VIS TF M6 X 50 | SCHRAUBE 6X50 | SCREW M6 X 50 |
| 4 | 25416 | COUSSINET 26/20X20 | BUCHSE 26/20X20 PA6 | SLEEVE PA 66 26/20X |
| 5 | 29647 | BOUCHON DIAM.30 | STOPFEN DIA.30 | CAP DIA.30 |
| 6 | 29929 | EMBOUT MALE DIA.12 | EINSTECKMUFFE | MALE NIPPLE DIA 12 |
| 7 | 31122 | CADRE LATERAL DROIT | KORB RAHMEN RECHTS | BAG SIDE FRAME RIGH |
| 8 | 31123 | CADRE LATERAL GAUCH | KORB RAHMEN LINKS | BAG SIDE FRAME LEFT |
| 9 | 31124 | SUPP. TRINGLE ARTI. | HALTERUNG | BRACKET |
| 10 | 31288 | BARRE RENF.PANIER | KORBVERSTÄRCKERUNG | GRASBOX REINFORCING |
| 11 | 31511 | TUBE SUPP.BAC MOBIL | KORB ROHR | GRASBOX TUBE |
| 12 | 31513 | SUPPORT LANGUETTE | HALTERUNG | BRACKET |
| 13 | 31516 | TOILE PANIER | GRASFANGSACK | GRASBAG |
| 14 | 31551 | ARCEAU AVANT | VORDERER BÜGEL | FRONT BOW |
| 15 | 31557 | TUBE ARR.BAC MOBILE | HINTERRAHMEN | GRASBOX REAR TUBE |
| 16 | 31559 | FOND DE PANIER | KORBBODEN | GRASBOX BOTTOM |
| 17 | 32071 | BOUCHON TUBE 20X2 | ROHRSTOPFEN | TUBE CAP |
| 18 | 71060 | VIS TRCC 6X25 | SCHRAUBE TRCC M6X25 | BOLT TRCC 6X25 |
| 19 | 31551 | ARCEAU AVANT | VORDERER BÜGEL | FRONT BOW |
| 20 | 71073 | ECROU AUTOFR.HM6 | STOPMUTTER HM6 | SELF LOCKING NUT |
| 21 | 71080 | VIS TRCC 6X30 | SCHRAUBE M6X30 | SCREW 6X30 |
| 22 | 71084 | VIS HM 6X16 DIN933 | SCHRAUBE HM6X16 | BOLT HM6X16 DIN 933 |
| 23 | 71096 | RDLE PL.B 6,4 | BEILAGSCHEIBE B6,4 | WASHER B6,4 |
| 24 | 71302 | VIS H M6X55,8.8 | SCHRAUBE H M6X55 | SCREW H M6X55 |
| 25 | 71380 | VIS TH M6X35 | SCHRAUBE TH M6X35 | SCREW TH M6X35 |



PLO1741

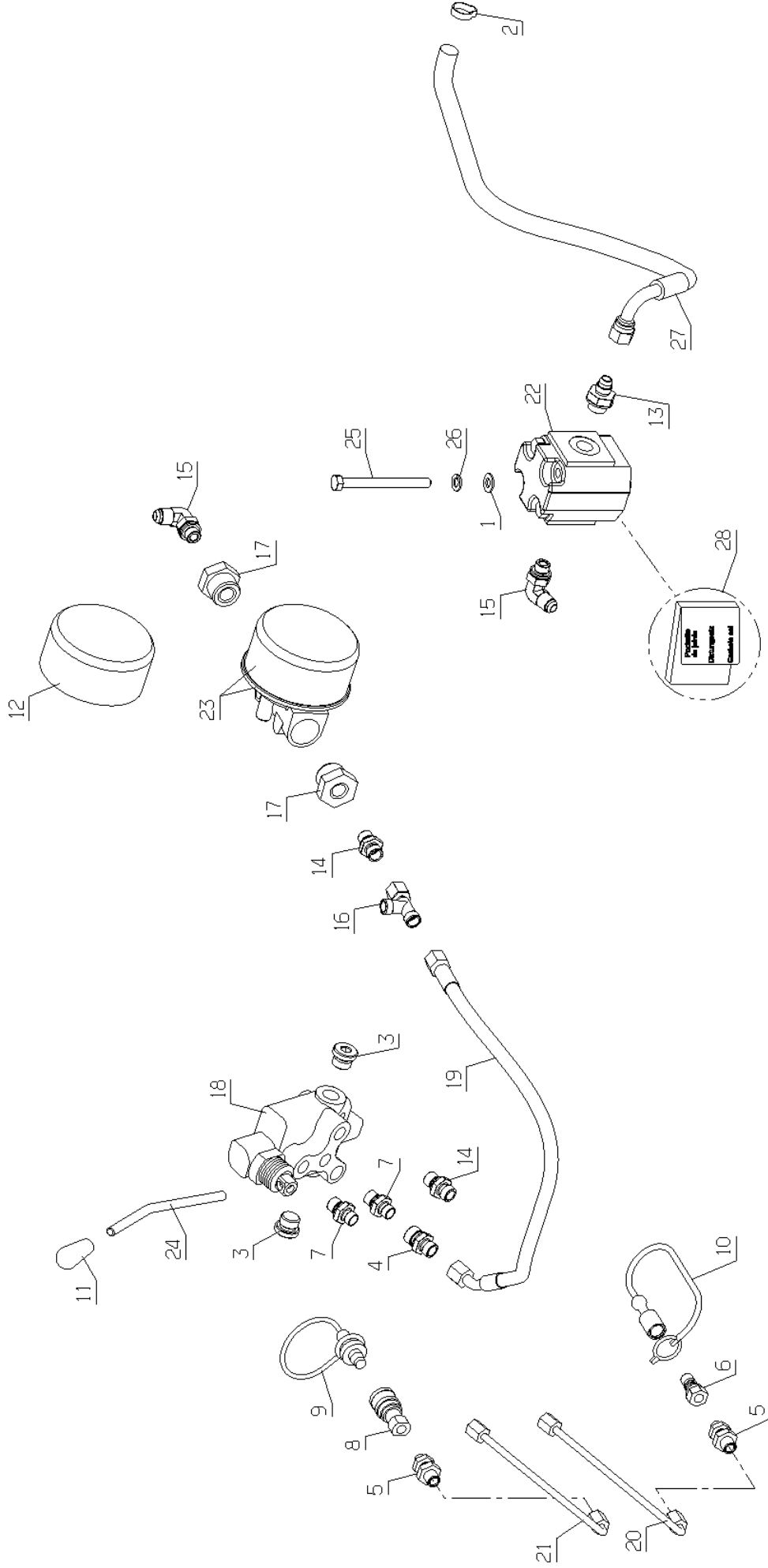
| Rep | Réf ETESIA | F | D | E |
|-----|---------------|----------------------|---------------------|---------------------|
| 1 | 1560 | RDLE PL. 13X25X3 | SCHEIBE 13X25X3 | FLAT WASHER 13X25X3 |
| 2 | 7335 | RDLE PL.A 8,4DIN12 | SCHEIBE A 8,4 | WASHER |
| 3 | 5232 | ECR.AUTOFR.HM6 DIN | STOPMUTTER HM 6 DIN | SELF-LOCKING NUT |
| 4 | 7094 | RDLE PL.B 4,3DIN90 | BEILAGSCHEIBE B 4,3 | FLAT WASHER |
| 5 | 9017 | ECR.AUTOFR.HM10 DIN | MUTTER HM10 DI | NUT HM10 |
| 6 | 31194 | POCHETTE DE JOINTS | DICHTUNGSSATZ | GASKET SET |
| 7 | 21036 | RDLE PL.A 10,5 DIN1 | BEILAGSCHEIBE 10.5 | FLAT WASHER 10.5 |
| 8 | 21525 | ECR.AUTOFR.HM4 DIN | STOPMUTTER HM4 | NUT HM4 |
| 9 | 24132 | RONDELLE AXE ROUE | RADACHSE SCHEIBE | SHAFT WASHER |
| 10 | 24647 | RESSORT CDE CFT | FEDER | SPRING |
| 11 | 24684 | ANNEAU TRUARC 8 DI | SICHERUNGSRING 8 DI | TRUARC RING |
| 12 | 25564 | BAGUE PLASTIQUE | LAGERBUCHSE 12 X 16 | 12X16X10 PLASTIC RI |
| 13 | 27116 | COUPLEUR MALE 1/8 | KOPPLER 1/8 | MALE COUPLER 1/8 |
| 14 | 27122 | COUPLEUR FEMELLE 1/8 | KOPPLER 1/8 | FEMALE COUPLER 1/8 |
| 15 | 27125 | BOUCHON COUPLEUR | KOPPLER STOPFER | COUPLER CAP |
| 16 | 27126 | CAPUCHON COUPLEUR | KOPPLER KAPPE | COUPLER HOOD |
| 17 | 28555 | COUSSINET 12/14/15 | BÛCHSE 12/14/15 | SLEEVE 12/14/15 |
| 18 | 29350 | ENTRETOISE POTENCE | BÛCHSE KORBTRAGSZÛL | G.BOX CRANE SPACER |
| 19 | 29427 | COUSSINET 20/23/21 | BÛCHSE 20/23/21 | |
| 20 | 29456 | ADAPTATEUR AJM | ADAPTER AJM | ADAPTER AJM |
| 21 | 29462 | ADAPTATEUR UMA | ADAPTER UMA | ADAPTER UMA |
| 22 | 29770 | AXE BRAS POTENCE | TRÛGERARM BOLZEN | CRANE ARM SHAFT |
| 24 | 30054 | ADAPT.GM 1/4" F8L | ZWISCHENST.GM1/4"F8 | ADAPT.GM 1/4" F8L |
| 25 | 30108 | RACCORD 8L 90° | KUPPELSTÛCK 8L 90° | CONNECTOR 8L 90° |
| 26 | 30109 | RACCORD T EGAX 8L | KUPPELSTÛCK T 8L | T CONNECTOR 8L |
| 27 | 31191 | VERIN HYDRAULIQUE | HYD.ZYLINDER | HYD.CYLINDER |
| 28 | 31219 | AXE POTENCE | ACHSE HOCHTENTLER. | HIGH LIFT BEAM AXLE |
| 29 | 31222 | BRAS RELEVAGE INF. | UNTERER ENTLEER.ARM | LOWER LIFTER ARM |
| 30 | 31248 | TOLE BLOCAGE GAUCHE | LINKER BLOCKIERARM | LEFT BLOCKING ARM |
| 31 | 31282 | ARRET VERIN | ZYLINDER STOP | CYLINDER STOP |
| 33 | 31291 | AXE BLOCAGE BRAS | BLOCKIER.ARM ACHSE | BLOCKING ARM AXLE |
| 35 | 31247 | TOLE BLOCAGE DROIT | PLATTE | |
| 36 | 31504 | BAGUE FIX.VERIN V.H | ZYLIND.BEFEST.RING | CYLIND.FIXING RING |
| 37 | 31510 | POTENCE | HOCHENTLEER.TRÛGER | HIGH LIFT BEAM |
| 38 | 31533 | PATTE VERIN GAZ | GAZ ZYLINDER PLATTE | GAS JACK PLATE |
| 39 | 31541 | AXE BRAS PANIER | KORB ARM ACHSE | GRASBOX ARM AXLE |
| 40 | 31546 | BRAS REL.SUP. | OBERER ENTLEER.ARM | UPPER ARM |
| 41 | 31552 | BIELL.RACLEUR DROIT | BODENPLEUELSTANGE R | RIGHT BOTTOM ROD |
| 42 | 31553 | BIELL.RACLEUR GAUCH | BODENPLEUELSTANGE L | LEFT BOTTOM ROD |
| 43 | 31571 | ROULETTE | LAUFROLLE | SMALL WHEEL |
| 44 | 31588 | VERIN A GAZ | GAS ZYLINDER | GAZ CYLINDER |
| 45 | 31608 | FLEX.PISTON RELEV. | SCHLAUCH | HOSE |
| 46 | 31616 | FLEX.TE RELEVAGE | SCHLAUCH | HOSE |
| 47 | 31627 | FLEX POTENCE PANIER | SCHLAUCH | HOSE |
| 48 | 31633 | LIMITEUR DEBIT STF | DRUCKBEGRENZER | FLOW LIMITER |
| 49 | 31666 | PROTECTION FLEXIBLE | SCHLAUCH SCHUTZ | HOSE PROTECTION |
| 50 | 35064 | AGRAFE 26-30 | KLAMMER 26-30 | KLAMP 26-30 |
| 51 | 35192 | AXE BAVÛTTE | LAPPEN ACHSE | FLAPPER AXLE |
| 52 | 35208 | FLEX TIGE RELEVAGE | SCHLAUCH | HOSE |

| | | | | |
|----|-------|---------------------|---------------------|--------------|
| 53 | 35328 | BUTEE CAOUTCHOUC | GUMMI ANSCHLAG | RUBBER STOP |
| 54 | 35487 | BAVETTE POLY | LAPPEN | FLAPPER |
| 55 | 71016 | | | |
| 56 | 71018 | | | |
| 57 | 71032 | | | |
| 58 | 71108 | | | |
| 59 | 71238 | | | |
| 60 | 71239 | | | |
| 61 | 71241 | | | |
| 62 | 71283 | | | |
| 63 | 71308 | | | |
| 64 | 71343 | | | |
| 65 | 71354 | | | |
| 66 | 71373 | | | |
| 67 | 71374 | | | |
| 68 | 71375 | | | |
| 69 | 35834 | VIS B HC M10-70.8.8 | SCHRAUBE HCM10-70.8 | |
| 70 | 35835 | ENTRET.RELEV.BRAS | HÖLSE | SPACER |
| 71 | 20564 | RONDELLE PLATE 5,5 | SCHEIBE 5,5 | WASHER 5,5 |
| 72 | 37996 | VIS HM5-16 8.8 EMB | SCHRAUBE HM5-16 8.8 | |
| 73 | 21481 | RDLE PL.A 5,3 | SCHEIBE | WASHER |
| 74 | 23029 | BAGUE ARTICULATION | GELENKBÖSCHSE | KNUCKLE RING |
| 75 | 28239 | SANGLE ELASTIQUE | AUFZIEHKLEMMME | COVER BAND |
| 76 | 29783 | BUTEE CAOUTCHOUC | GUMMI-ANSCHLAG | RUBBER STOP |
| 77 | 35572 | ENTRETOISE TEND. | BÖSCHSE | SPACER |
| 78 | 5334 | VIS H M 6X16 DIN933 | SCHRAUBE HM6X16 | SCREW HM6X16 |
| 79 | 2233 | RONDELLE M 6 FZA ST | FAESCHERSCHEIBE 6,4 | WASHER |



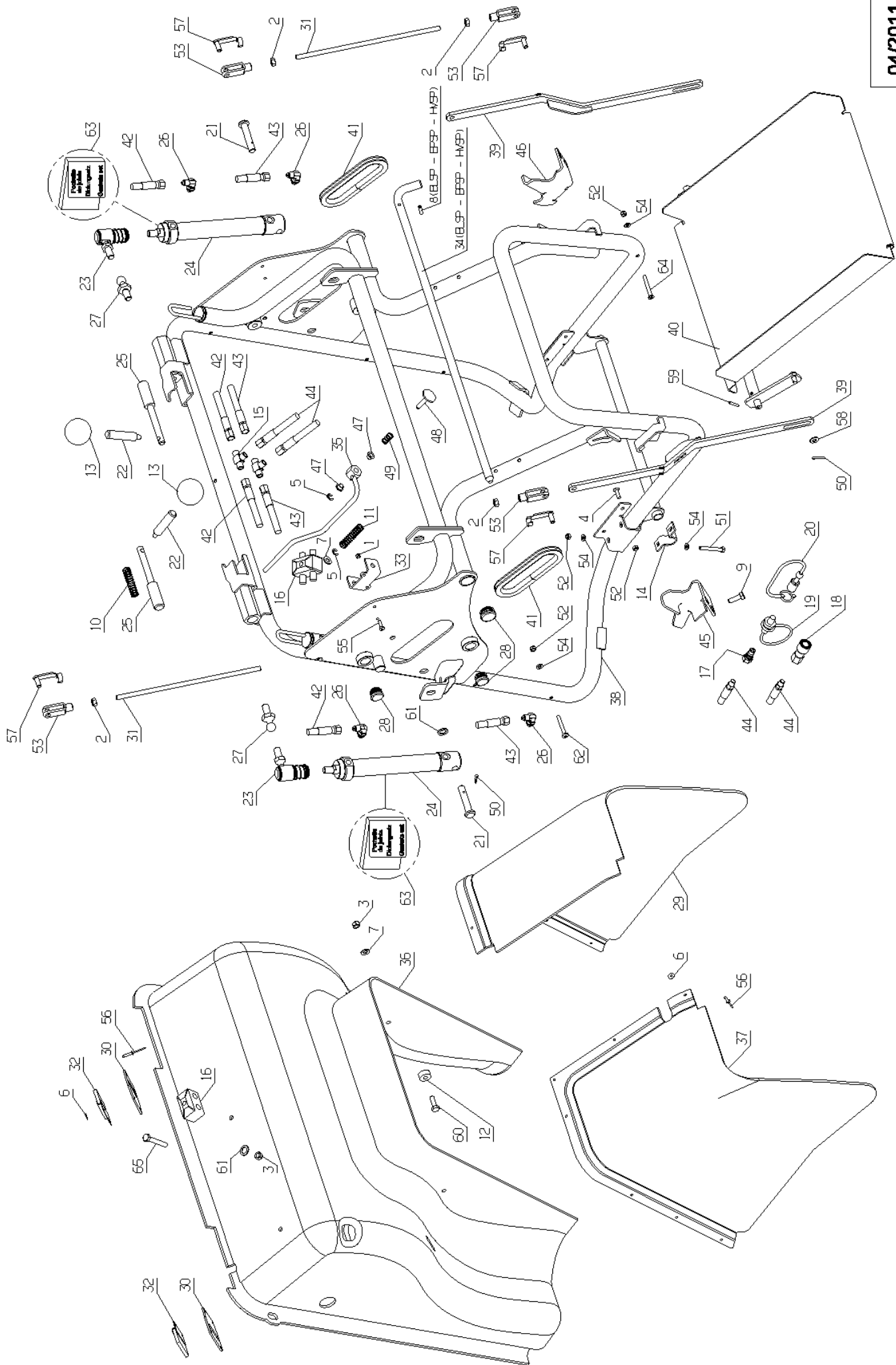
PL01742

| Rep | Réf ETESIA | | | |
|-----|---------------|---------------------|---------------------|---------------------|
| 1 | 27021 | BOUCHON DISTRI.3/8" | VERTEILERKAPPE 3/8" | DISTRIB. PLUG 3/8" |
| 2 | 27097 | UNION 3/8"-14X150 | VERBINDUNG | UNION 3/8"-14X150 |
| 3 | 27115 | UNION PASSE-CLOISON | VERBINDUNG 1/8 | UNION PIECE |
| 4 | 27116 | COUPLEUR MALE 1/8 | KOPPLER 1/8 | MALE COUPLER 1/8 |
| 5 | 27120 | UNION 1/4"-12X150 | VERBINDUNG 1/4 | UNION 1/4"-12X150 |
| 6 | 27122 | COUPLEUR FEMELL.1/8 | KOPPLER 1/8 | FEMALE COUPLER 1/8 |
| 7 | 27125 | BOUCHON COUPLEUR | KOPPLER STOPFER | COUPLER CAP |
| 8 | 27126 | CAPUCHON COUPLEUR | KOPPLER KAPPE | COUPLER HOOD |
| 9 | 27131 | POMMEAU LEVIER DIST | VERTEILERHEBELKNOPF | DISTRIB. LEVER HAND |
| 10 | 29462 | ADAPTATEUR UMA | ADAPTER UMA | ADAPTER UMA |
| 11 | 31606 | FLEX.RELEV.DISTRIB. | SCHLAUCH | HOSE |
| 12 | 31636 | DISTRIBUTEUR BM20/2 | VERTEILER BM20/2 | DISTRIBUTOR BM20/2 |
| 13 | 35175 | LEVIER COMMANDE | BEDIENUNGSHABEL | CONTROL LEVER |
| 14 | 71049 | RDLE GROWER A6 | FEDERRING A6 DIN 12 | SPRING WASHER,DIN 1 |
| 15 | 71342 | VIS CHC M6-45,8.8 | IMBUSSCHR.M6X45 8.8 | SCREW M6X45 8.8 |



PL01743

| Rep | Réf ETESIA | | | |
|-----|---------------|---------------------|---------------------|---------------------|
| 1 | 7335 | RDLE PL.A 8,4DIN12 | SCHEIBE A 8,4 | WASHER |
| 2 | 25694 | COLLIER SERTIR O 16 | SCHLAUCHBINDER | CLAMPING RING 16 |
| 3 | 27021 | BOUCHON DISTRI.3/8" | VERTEILERKAPPE 3/8" | DISTRIB. PLUG 3/8" |
| 4 | 27097 | UNION 3/8"-14X150 | VERBINDUNG | UNION 3/8"-14X150 |
| 5 | 27115 | UNION PASSE-CLOISON | VERBINDUNG 1/8 | UNION PIECE |
| 6 | 27116 | COUPLEUR MALE 1/8 | KOPPLER 1/8 | MALE COUPLER 1/8 |
| 7 | 27120 | UNION 1/4"-12X150 | VERBINDUNG 1/4 | UNION 1/4"-12X150 |
| 8 | 27122 | COUPLEUR FEMELL.1/8 | KOPPLER 1/8 | FEMALE COUPLER 1/8 |
| 9 | 27125 | BOUCHON COUPLEUR | KOPPLER STOPFER | COUPLER CAP |
| 10 | 27126 | CAPUCHON COUPLEUR | KOPPLER KAPPE | COUPLER HOOD |
| 11 | 27131 | POMMEAU LEVIER DIST | VERTEILERHEBELKNOPF | DISTRIB. LEVER HAND |
| 12 | 29408 | FILTRE | FILTER | FILTER |
| 13 | 29456 | ADAPTATEUR AJM | ADAPTER AJM | ADAPTER AJM |
| 14 | 29462 | ADAPTATEUR UMA | ADAPTER UMA | ADAPTER UMA |
| 15 | 29464 | ADAPTATEUR CJM | ADAPTER CJM | ADAPTER CJM |
| 16 | 29471 | ADAPTATEUR TELAR | TELAR ADAPTER | TELAR ADAPTER |
| 17 | 30110 | REDUCTION G3/4 G1/4 | REDUZ.STŠ.G3/4 G1/4 | REDUCER G 3/4 G1/4 |
| 18 | 30680 | DISTRIBUTEUR BM20/1 | VERTEILER MB20/1 | DISTRIBUTOR BM20/1 |
| 19 | 31612 | FLEX.RETOUR DISTRI. | SCHLAUCH | HOSE |
| 20 | 31613 | TUBE VIDANGE TIGE | ROHR | TUBE |
| 21 | 31614 | TUBE VIDANGE PISTON | ROHR | TUBE |
| 22 | 31639 | POMPE ANNEXE | PUMPE | PUMP |
| 23 | 31655 | FILTRE RETOUR | RŠCKLAUFFILTER | RETURN FILTER |
| 24 | 35175 | LEVIER COMMANDE | BEDIENUNGSHABEL | CONTROL LEVER |
| 25 | 71199 | VIS HM 8X90 | SECHSKANTSCH.HM8X90 | SCREW HM8X90 |
| 26 | 71343 | RDLE GROWER A8 | FEDERSCHEIBE A8 | SPRING WASHER A8 |
| 27 | 31601 | FLEX.RETOUR RESERV. | SCHLAUCH | HOSE |
| 28 | 34628 | POCHETTE JOINT POMP | DICHTUNGSSATZ | |



PLO1111

| Rep | Réf ETESIA | | | |
|-----|---------------|----------------------|----------------------|---------------------|
| 1 | 1607 | ECR.AUTOFR.HM5 DIN | STOPMUTTER HM5 | NUT |
| 2 | 2020 | ECROU H.M8 DIN934 | MUTTER HM8 DIN 934- | NUT HM8 |
| 3 | 2021 | ECR.AUTOFR.HM8 DIN | STOPMUTTER HM 8 DIN | NUT HM8 |
| 4 | 5307 | VIS FHC M6X20 | SCHRAUBE M6X20 | SCREW M6X20 |
| 5 | 5602 | ANNEAUX TRUARCS | RING TRUARC | ANNEAUX TRUARCS |
| 6 | 7094 | RDLE PL.B 4,3DIN90 | BEILAGSCHEIBE B 4,3 | FLAT WASHER |
| 7 | 7335 | RDLE PL.A 8,4DIN12 | SCHEIBE A 8,4 | WASHER |
| 8 | 9033 | GOUPILLE MECANIMBUS | STIFT | PIN DIN 7343 |
| 9 | 71413 | VIS HM 8-20 | SCHRAUBE HM 8-20 | SCREW HM 8-20 |
| 10 | 22457 | RESSORT EMBRAYAGE | FEDER | CLUTCH SPRING |
| 11 | 24609 | RESSORT DE RAPPEL | FEDER | SPRING |
| 12 | 25012 | RONDELLE CAOUTCHOUC | GUMMISCHEIBE | RUBBER WASHER |
| 13 | 25560 | POMMEAU LEVIER | SCHALTHEBELKNOPF | LEVER PROTECTIVE |
| 14 | 25711 | CAVALIER | FUEHRUNGLAGER | STRAP |
| 15 | 27022 | RACCORD EN T | VERBINDUNGSSTÜCK T | T CONNECTION |
| 16 | 27111 | FIXATION DBLE 13 | DOPPELROHR BEFESTIG | HOLDER |
| 17 | 27116 | COUPLEUR MALE 1/8 | KOPPLER 1/8 | MALE COUPLER 1/8 |
| 18 | 27122 | COUPLEUR FEMELLE 1/8 | KOPPLER 1/8 | FEMALE COUPLER 1/8 |
| 19 | 27125 | BOUCHON COUPLEUR | KOPPLER STOPFER | COUPLER CAP |
| 20 | 27126 | CAPUCHON COUPLEUR | KOPPLER KAPPE | COUPLER HOOD |
| 21 | 29333 | AXE VERIN VID.ARR. | HINT.ENTLEER.ZYL.BO | REAR EMPT.RAM SHAFT |
| 22 | 29372 | POIGNEE ARRIERE | KORBGRIFF | BOX HANDLE |
| 23 | 29378 | ROTULE A ANGLE | WINKEL KUGELGELENK | ANGLE KNUCKLE |
| 24 | 29400 | VERIN VID.PANIER | ENTLEERUNG SZYLINDER | G.BOX EMPTYING JACK |
| 25 | 29426 | AXE PANIER | KORBBOLZEN | GRASSBOX SHAFT |
| 26 | 29468 | ADAPTATEUR CJM | ADAPTER CJM | ADAPTER CJM |
| 27 | 29929 | EMBOUT MALE DIA.12 | EINSTECKMUFFE | MALE NIPPLE DIA 12 |
| 28 | 29995 | BOUCHON DIAM.25 | STOPFEN DIA 25 | CAP DIA 25 |
| 29 | 31128 | BAC FIXE AVANT G. | VORD.L.FESTER KORB | FR.L.FIXED GRASBOX |
| 30 | 31129 | PLAQUE RENFORT | VERSTÄRKERUNG PLATE | REINFORCING PLATE |
| 31 | 31144 | TIGE CDE RACLEUR | GESTÄNGE | ROD |
| 32 | 31224 | BROSSE | BÜRSTE | BRUSH |
| 33 | 31245 | GUIDE ARRIERE | HINTERE FÜHRUNG | REAR GUIDE |
| 34 | 31284 | AXE VERROU | ACHSE | AXLE |
| 35 | 31401 | AXE CONTACT.PANIER | KORB SCHALTER WELLE | GRASBOX SWITCH AXLE |
| 36 | 31515 | BAC FIXE | FESTER KORB | FIXED GRASBOX |
| 37 | 31526 | BAC FIXE AVANT DROI | VORD.R.FESTER KORB | FR.RG.FIXED GRASBOX |
| 38 | 31549 | PANIER FIXE | FESTER KORB | FIX.GRASBOX |
| 39 | 31560 | TRINGLE DE COMMANDE | STEUERSTANGE | CONTROL LINK |
| 40 | 31566 | RACLEUR | BODEN | BOTTOM |
| 41 | 30163 | GAINÉ PROTECT.670MM | SCHUTZHÜLLE 670 MM | PROT.SLEEVE 670MM |
| 42 | 31604 | FLEX.TIGE PAN.VERIN | SCHLAUCH | HOSE |
| 43 | 31605 | FLEX.PIST.PAN.VERIN | SCHLAUCH | HOSE |
| 44 | 31615 | FLEX.TE PANIER | SCHLAUCH | HOSE |
| 45 | 35082 | CALE DROITE | RECHTER KEIL | RIGHT KEY |
| 46 | 35083 | CALE GAUCHE | LINKER KEIL | LEFT KEY |
| 47 | 35103 | COUSSINET 8/10/07 | BÜCHSE 8/10/07 | |
| 48 | 35107 | AXE COMPENSATION | ACHSE | AXLE |
| 49 | 40173 | RESSORT DE RÉGLAGE | EINSTEL. FEDER | ADJUST - SPRING. |

| | | | | |
|----|-------|---------------------|---------------------|---------------------|
| 50 | 71018 | GOUPILLE FENDUE V3, | SPLINTE V 3,2 X 18 | V3,2 SPLIT PIN |
| 51 | 71023 | VIS H M 6X50 | SCHRAUBE 6X50 | SCREW HM 6X50 |
| 52 | 71073 | ECROU AUTOFR.HM6 | STOPMUTTER HM6 | SELF LOCKING NUT |
| 53 | 71077 | CHAPE 8X32 B | GABEL 8X32 B DIN 71 | YOKE DIN 71751 8X32 |
| 54 | 71094 | RDLE PL.A 6,4 | SCHEIBE 6,4 | WASHER 6,4 |
| 55 | 71104 | VIS T.PL.CR. M5X16 | KREUTZSCHLITZLINSEN | SCREW T. PL. CR M5X |
| 56 | 71112 | RIVET CLOUS DIAM.4X | NIETE 4X18 | DIA.4X18 STAR RIVET |
| 57 | 71169 | GOUJ.A CLAPET 8X32 | STIFT 8X32 | STUD 8X32 |
| 58 | 71187 | RDLE PL.A 8,4 ST | UNTERLEGSCHIEB.A8,4 | WASHER A 8,4 |
| 59 | 71188 | GOUPIL.ELAST. 4-26 | SPLINTE 4-26 | PIN 4-26 |
| 60 | 71273 | VIS H M8X25 | SCHRAUBE H M8X25 | SCREW H M8X25 |
| 61 | 71336 | RDLE 13X20X2 | SCHEIBE 13X20X2 | WASHER 13X20X2 |
| 62 | 71337 | VIS CB H M6-45,4,8 | SCHRAUBE M6X45 4.8 | SCREW M6X45 4.8 |
| 63 | 30457 | POCHET.JOINT V.PAN | KBZYL.DICHTUNGSATZ | GBX J.BAG OF GASKET |
| 64 | 20571 | VIS TF M6 X 50 | SCHRAUBE 6X50 | SCREW M6 X 50 |
| 65 | 21687 | VIS H M 8X55 DIN933 | SECHSKANTSCHRAUBE H | HEXAGON SCREW,DIN 9 |

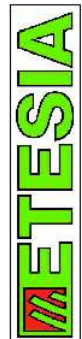
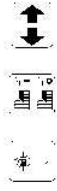
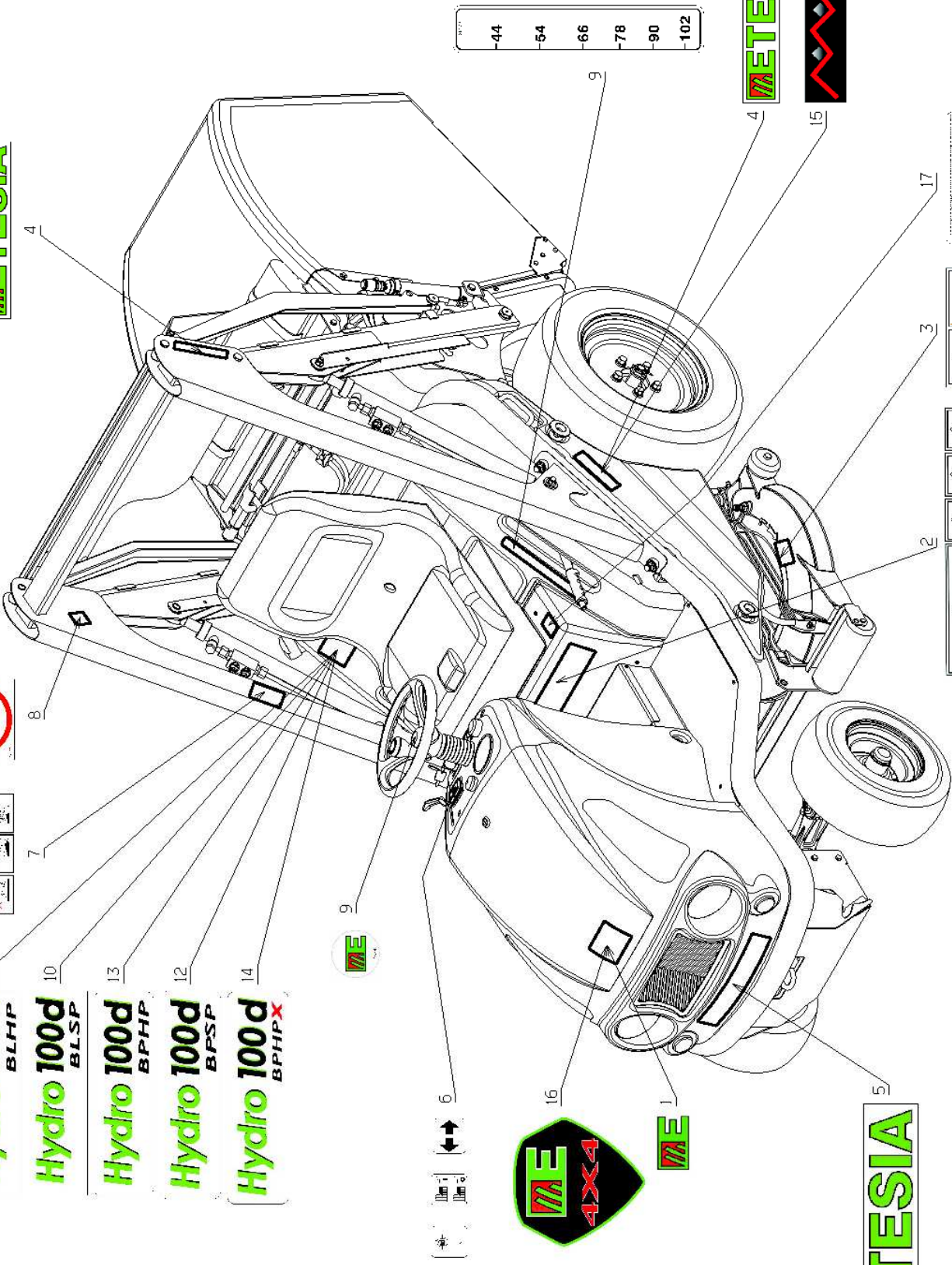
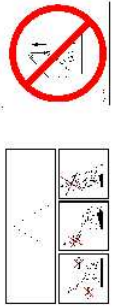
11 **Hydro 100d**
BLHP

10 **Hydro 100d**
BLSP

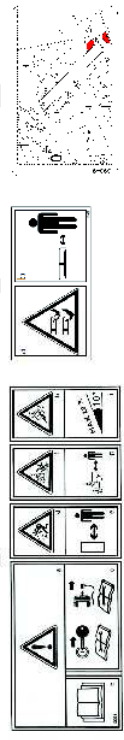
13 **Hydro 100d**
BPHP

12 **Hydro 100d**
BPSP

14 **Hydro 100d**
BPHPX

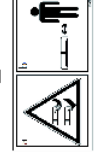
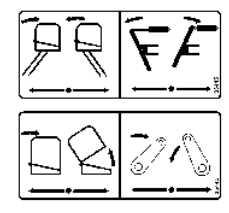
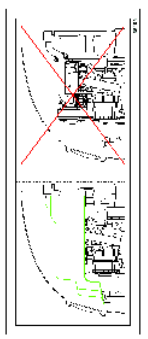
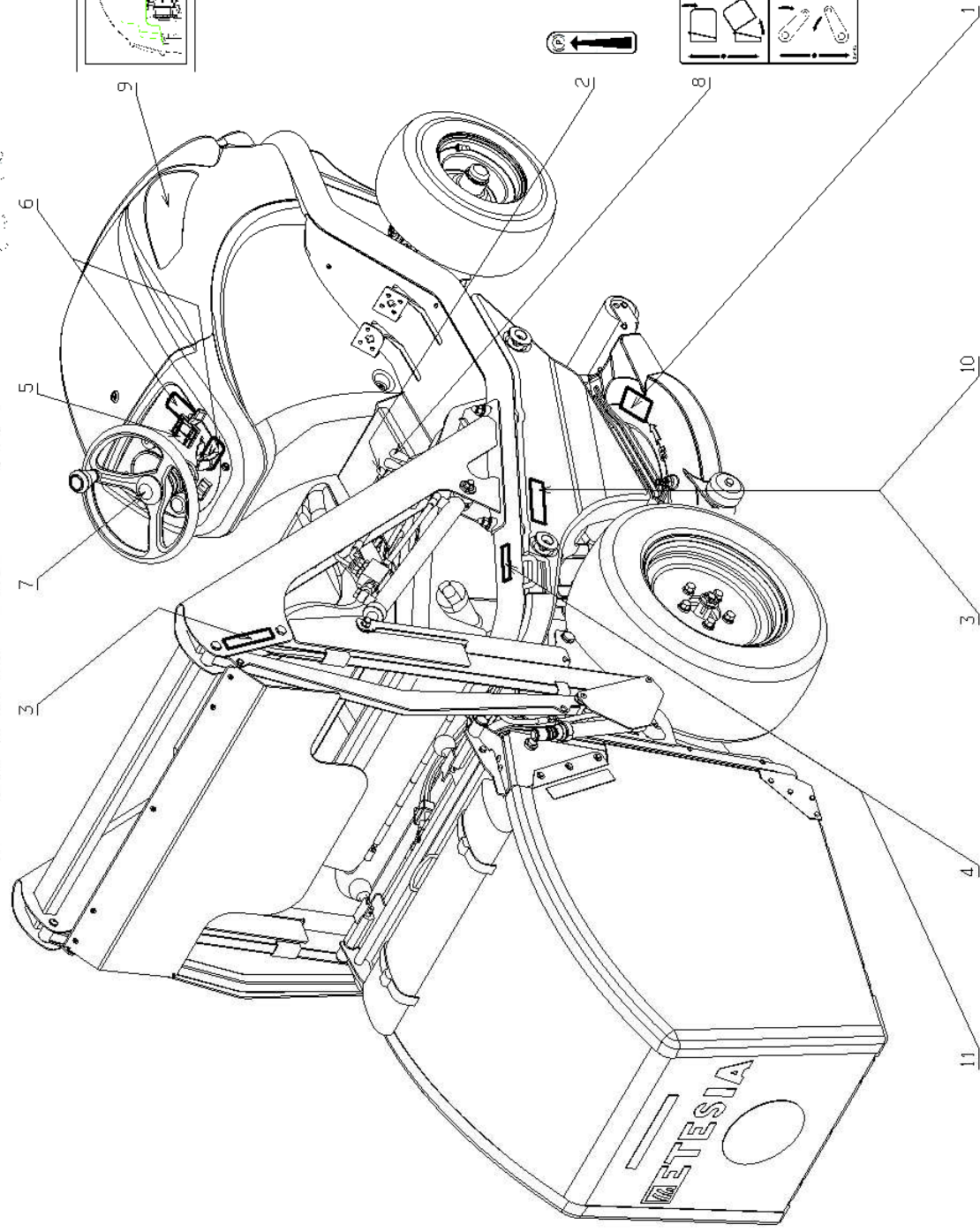


| |
|-----|
| 44 |
| 54 |
| 66 |
| 78 |
| 90 |
| 102 |



PL01758

| Rep | Réf ETESIA | | | |
|-----|---------------|---------------------|---------------------|---------------------|
| 1 | 12047 | SIGLE ETESIA | SIEGLE ETESIA | STICKER ETESIA |
| 2 | 13021 | ETIQ.AVERTISSEMENT | AUFKLEBER WARNUNG | STICKER |
| 3 | 13062 | ETIQ.PLATEAU COUPE | AUFKLEBER MZHWERK | STICKER CUT-DECK |
| 4 | 13086 | ETIQ.ETE.CACH.LAT. | AUFKLEBER ETESIA | STICKER ETESIA |
| 5 | 13085 | ETIQ.ETE.CACH.DIREC | AUFKLEBER ETESIA | STICKER ETESIA |
| 6 | 13128 | ETIQ.PICTO. H124D | AUFKL.PIKTO6. H124D | DIAGRAM LABEL H124D |
| 7 | 13176 | ETIQ.RENVERSEMENT | UMKIPPAUFKLEBER | OVERTURNING LABEL |
| 8 | 13177 | ETIQUETTE LEVAGE | HOCHHEB.AUFKLEBER | LIFTING LABEL |
| 9 | 35172 | ETIQUETTE HDC | AUFKLEB.SCHNITTH™HE | |
| 10 | 35210 | ETIQUETTE BLSP | BLSP AUFKLEBER | |
| 11 | 35211 | ETIQUETTE BLHP | BLHP AUFKLEBER | |
| 12 | 36271 | | | |
| 13 | 36272 | | | |
| 14 | 37336 | ETIQUETTE BPHPX | AUFKLEBER BPHPX | |
| 15 | 37337 | ETIQ.LATERALE DROIT | AUFKLEBER RECHTS | |
| 16 | 37338 | ETIQUETTE FRONTALE | AUFKLEBER | STICKER |
| 17 | 39349 | | | |



SUPER 95/98 DIESEL

PL01759

| Rep | Réf ETESIA | | | |
|-----|---------------|---------------------|---------------------|---------------------|
| 1 | 13062 | ETIQ.PLATEAU COUPE | AUFKLEBER MZHWERK | STICKER CUT-DECK |
| 2 | 13074 | ETIQ.FREIN PARKING | AUFKLEBER PARKBREMS | STCKER PARKG BRAKE |
| 3 | 13086 | ETIQ.ETE.CACH.LAT. | AUFKLEBER ETESIA | STICKER ETESIA |
| 4 | 13124 | ETIQ.RESERV.GAS-OIL | TANKAUFLKLEBER DIES | LABEL TANK DIESEL |
| 5 | 13128 | ETIQ.PICTO. H124D | AUFKL.PIKTOG. H124D | DIAGRAM LABEL H124D |
| 6 | 13232 | ETIQ.MANETTE DE GAZ | GASZUG AUFKLEBER | GAZ THROTTL.STICKER |
| 7 | 13244 | ETIQ.LOGO ETESIA | AUFKLEB.LOGO ETESIA | STICKER LOGO ETESIA |
| 8 | 35445 | ETIQ.DISTRIBUTEUR | VERTEILER AUKLEBEB. | |
| 9 | 36195 | | | |
| 10 | 38038 | ETIQ.A100DX LAT.6 | AUFKLEBER | |
| 11 | 39372 | | | |